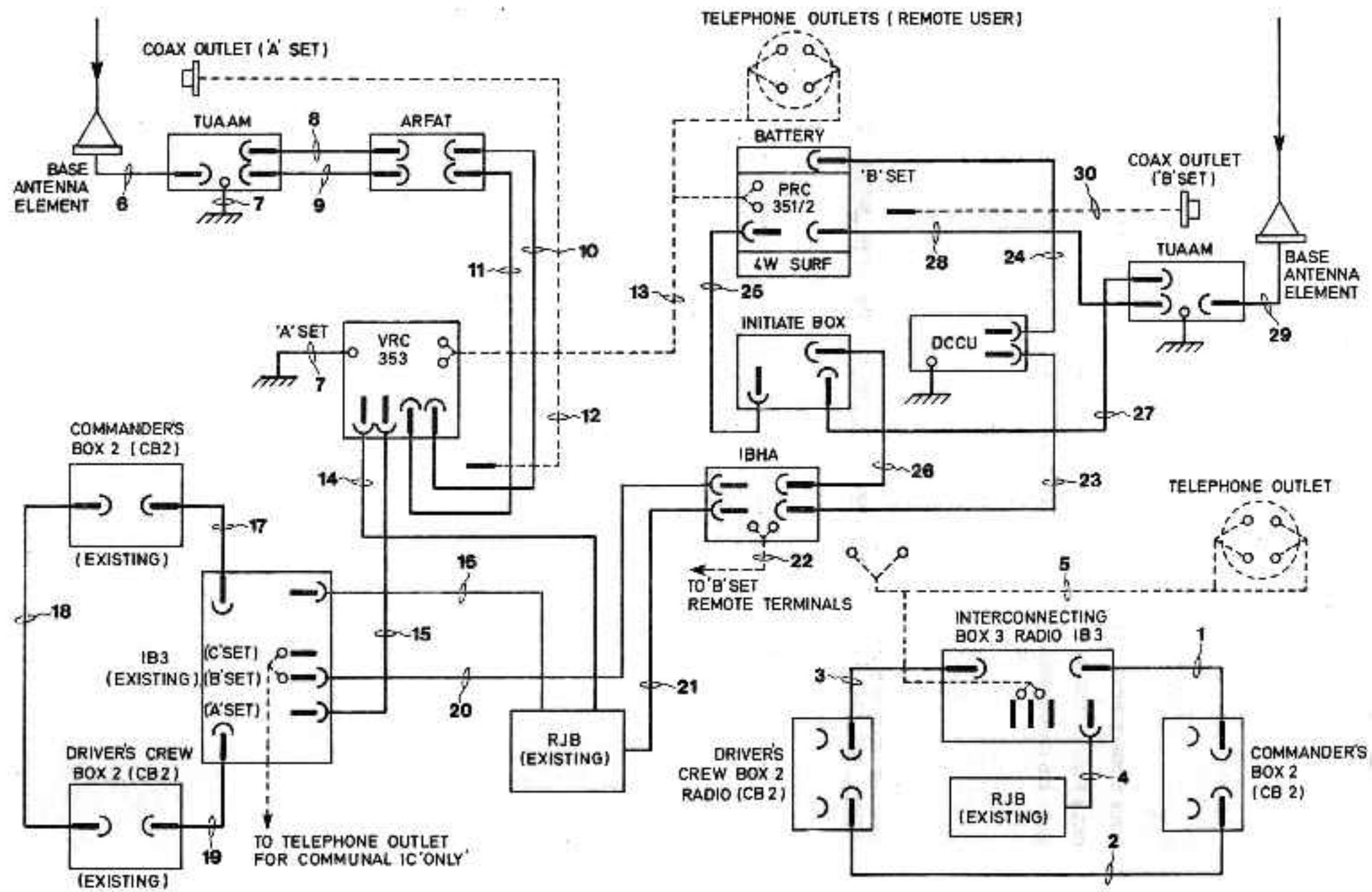


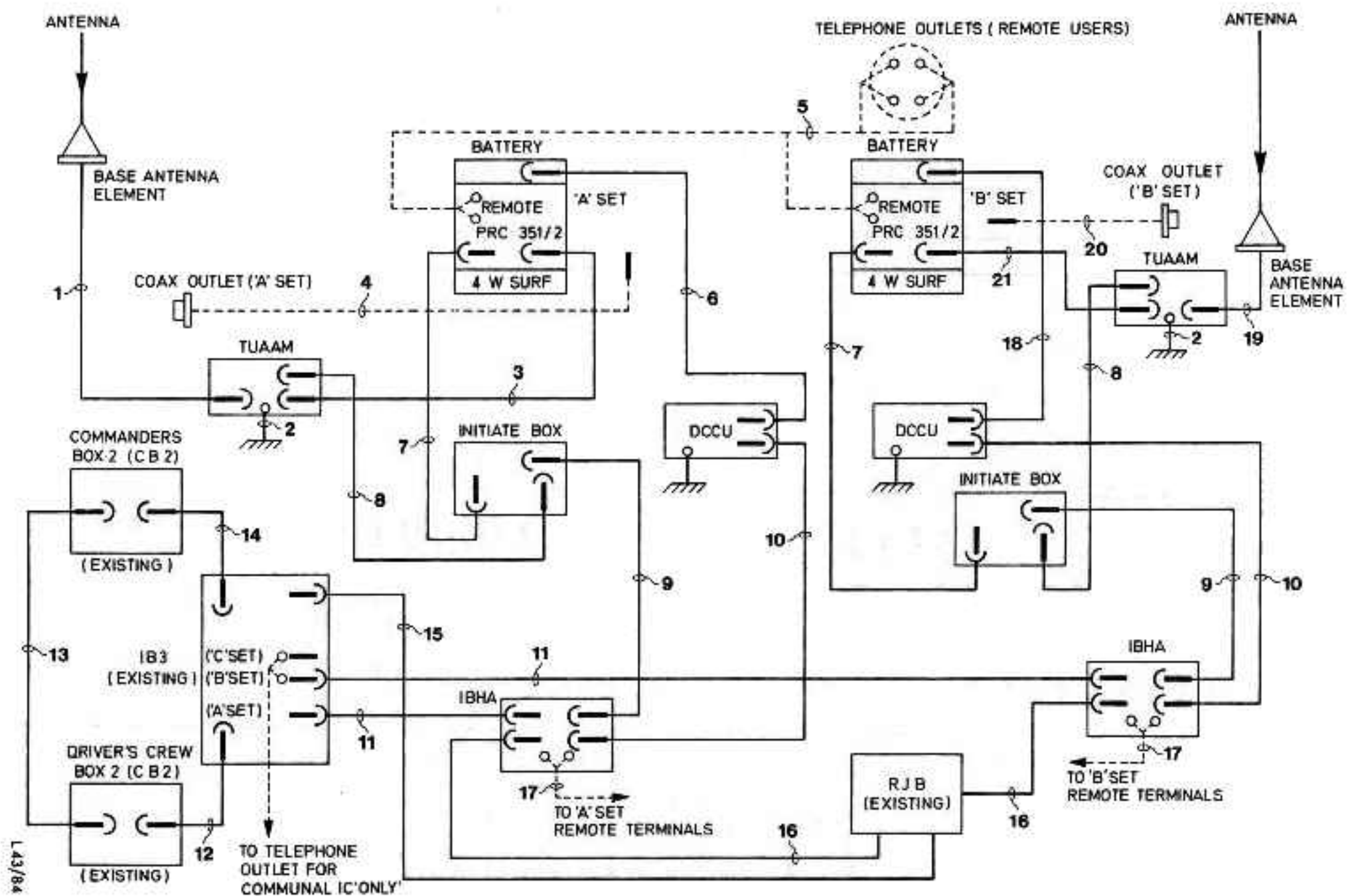
WIRING DIAGRAM

Z1



WIRING DIAGRAM

Z2



L43/84