

Crown Copyright ReservedARMY CODE No.
14992

<p>Not to be communicated to anyone outside HM Service without authority</p>
--

ILLUSTRATED SPARE PARTS LIST

for

SCOUT CAR, LIAISON, FERRET, MK1 and MK1/1

MK1, LV/2320-99-942-4031

MK1/1, LV/2320-99-200-1186

SCOUT CAR, RECCE, FERRET, MK2 and MK2/3

MK2, LV/2320-99-942-4032

MK2/3, LV/2320-99-200-1187

SCOUT CAR, RECCE, GW FERRET, MK2/6, VMF

LV/2320-99-893-2000

(SUPERSEDES W.O. CODE No. 12202)

DIRECTOR OF ORDNANCE SERVICES

MINISTRY OF DEFENCE

AUGUST 1969

L43/0A

ILLUSTRATED AND PRINTED BY THE INSPECTORATE OF FIGHTING VEHICLES AND MECHANICAL EQUIPMENT

R E S T R I C T E D

P R E F A C E

1. This Illustrated Spare Parts List has been prepared to assist Units in identifying any component part or assembly of parts likely to be required as replacements. All concerned will use the catalogue numbers and item names given in this List when demanding spare parts or when referring in correspondence to any part of the Equipment.
2. The principal difference between this List and a Comprehensive List of Component Parts (Illustrated) is that, whilst the latter covers every component of an equipment, this List includes only those items which are normally provided by R.A.C.C. or R.Z.
3. The Catalogue Nos. quoted in this list will supersede any Catalogue Nos. that may have been allotted previously. Where the letters "NP" appear in the catalogue No. column this indicates that the item is non-provisioned and not normally supplied.
4. When demanding Spare Parts the following particulars must be quoted:-
 - (a) V.A.O.S. or R.E.V.S. Section.
 - (b) Catalogue number.
 - (c) Item Name.
 - (d) Name of Equipment for which the part is required.
5. Alternatives quoted apply only to the Equipment covered by this list.
6. Certain items illustrated in this list have not been catalogued since it is considered that they will not normally be required as replacements. Should there be a requirement for any item not catalogued, demands may be submitted quoting Army Code No. of this publication, item number, plate reference and item name. Where a manufacturer's number is shown this should also be quoted.
7. Any communication regarding this list should be made to the Officer i/c, Army Cataloguing Agency (FVMS), G.T.C. Site, Rochester Way, Kidbrooke, London, S.E.3. through the normal channels.
8. Amendments to this list will be notified in D.C.I.s and Units concerned will indent through their Command R.A.O.C. Stationery Section or overseas equivalent for copies as required. It is essential that this list be kept fully amended and details of every amendment entered in the panel below.

RESTRICTED
NUMERICAL INDEX TO CATALOGUE NUMBERS (NATO SC)

Catalogue No.	Page No.	Catalogue No.	Page No.	Catalogue No.	Page No.	Catalogue No.	Page No.
011-5559	L4A	103-6680	K4	200-2457	G8	800-3425	G10
097-0058	L11	103-6681	K4	200-2465	G8	800-3426	G10
097-0059	L36	103-6949	K4	200-3182	R6	800-3427	G10
097-0060	L34	103-6950	K5	200-3872	B1	800-3428	G10
100-4628	L17	103-6952	K7	200-8880	E1	800-3430	G10
100-8356	F16, F18	103-6956	K6	205-6507	L37, Z3, Z5	800-3431	G10
101-5942	L8	103-6958	R4	401-6483	L6	800-3437	G10
101-5983	A6	103-6959	K5	406-9449	E2	800-3469	G10
101-5985	A3	103-6960	K5	419-2514	Z7	800-3470	G10
101-8400	L18, L19	103-7262	K7	427-5723	U2, U3	800-3479	G10
101-8401	L18, L19	103-7263	K7	432-6308	R6	800-3494	G10
103-3660	L20	103-7264	K7	520-5155	U1	800-3495	G10
103-6013	K7	103-7265	K5	520-5156	U2	800-3498	G10
103-6014	K6	103-7267	K2	580-0008	K3	800-3568	G14
103-6015	K8	103-7268	K3	581-2822	L34	800-3573	G13
103-6016	K5	103-7269	K8	620-1736	Z5	800-3574	G13
103-6017	K4	103-7270	K4	620-1737	Z5	800-3575	G13
103-6018	K5	103-7271	K7	620-1738	Z5	800-3576	G13
103-6032	K8	103-7272	K8	620-1739	Z5	800-3577	G13
103-6035	K4	103-7273	K3	620-1740	Z5	800-3578	G13
103-6114	K2	103-7274	K7	620-1742	Z5	800-3579	G13
103-6116	K2, R3	103-7276	K3	620-1744	Z5	800-3581	G14
103-6117	K2	103-7278	K3	620-1745	Z5	800-3582	G14
103-6118	K5	103-7279	K3	620-1746	Z5	800-3583	G14
103-6214	K7	103-7280	K3	620-1901	Z6	800-3584	G14
103-6215	K7	103-7556	K3	620-2188	Z6	800-3585	G14
103-6216	K7	103-7558	K4	632-4204	Z6	800-3590	G13
103-6217	K7	103-7559	K4	647-0107	Z4, Z5	800-3591	G13
103-6218	K7	103-7565	K7	647-0109	Z4, Z5	800-3671	G7
103-6219	K8	103-7566	Z3	647-0560	Z3, Z4, Z5	800-3672	G7
103-6220	K8	103-7567	K6	647-1369	Z6	800-3673	G7
103-6221	K8	103-7568	K6	647-1370	Z6	800-3675	G7
103-6222	K8	103-7569	K6	647-1371	Z5	800-3682	G7
103-6223	K5	103-7570	K6	647-1372	Z6	800-3688	G11, G12
103-6224	K6	103-7571	K3	647-3001	Z3, Z4	800-3689	G11, G12
103-6375	K8	103-7572	K2	647-3002	Z3, Z4	800-3736	G12, G13
103-6376	K7	103-7573	K2	647-3003	Z3, Z4	800-3737	G12, G13
103-6377	K6	103-7792	K5	647-3004	Z3, Z4	800-3738	G12, G13
103-6378	K6	103-7793	K5	647-3005	Z3, Z4	800-3739	G12, G13
103-6381	K6	103-7796	K6	647-3006	Z3, Z4	800-3743	G12, G13
103-6383	K3	103-7797	K6	647-3010	Z6	800-3748	G14
103-6384	K3	103-7921	K2	647-3012	Z6	800-3751	G14
103-6385	K3	103-9484	K7	647-7008	Z6	800-3753	G14
103-6386	K3	104-0048	K6	710-0507	F14, F16	800-3754	G14
103-6387	K8	104-0049	K5, K6	800-0311	C2	800-3765	G9
103-6388	K4	104-0127	K7	800-0573	G10	800-3768	G13
103-6389	K6	104-1510	K9	800-0611	G9	800-3772	G12
103-6390	K6	104-1511	K1, K2	800-0810	G7	800-3775	G7
103-6391	K3	104-1512	K8	800-0813	G7	800-3777	G10
103-6392	K3	104-1513	K3	800-1334	G7	800-3893	G14
103-6393	K3	104-1514	K3	800-1336	G7	800-3903	G11, G13
103-6397	F1, F15, K4	104-1784	G9, K7	800-1339	G7	800-3904	G11, G12
103-6398	K2	104-1785	K7	800-1632	G12, G13	800-3905	G14
103-6399	K2	104-3135	K7	800-2717	G10	800-3918	G12
103-6400	K6	104-3564	G9, K6	800-2750	G9, K6	800-3932	G13
103-6401	K7	104-3729	Z7	800-2755	G10	800-3933	G13
103-6402	K7	104-3846	P4	800-2769	G7	800-3935	G11, G12, G13
103-6403	K7	104-4425	H2	800-2818	G12, G13, K7	800-3936	G11, G12, G13
103-6495	L4	104-4602	G9, K7		G7	800-3937	G11, G12, G13
103-6662	K7	104-4603	G13, K6	800-2933	G12, G13	800-3938	G13
103-6663	K6	104-5784	K6	800-3282	K7	800-3939	G11, G12, G13
103-6664	K5	104-8900	U3	800-3392	G9	800-3940	G13
103-6665	K5	104-9244	L39A	800-3409	G10	800-3952	G11, G12, G13
103-6666	K2	105-0454	L19	800-3410	G10	800-3953	G11, G12, G13
103-6667	K2	105-0493	L19	800-3411	G10	800-3954	G11, G12, G13
103-6668	K3	105-3870	K6	800-3412	G10	800-3955	G11, G12, G13
103-6669	K4	105-3871	K5	800-3413	G10	800-3956	G11
103-6671	K4	105-3872	K6	800-3414	G10	800-3958	G11, G12, G13
103-6672	K4	105-3873	K6	800-3415	G10	800-3959	G12
103-6673	K4	110-2067	L18, L19	800-3416	G10		
103-6674	K4	117-6149	Z6	800-3417	G10		
103-6675	K4	137-5649	F14, F16	800-3419	G9		
103-6676	K4	142-5677	R6	800-3421	G9		
103-6677	K4	199-0276	R5	800-3422	G9		
103-6678	K4	200-2430	G3	800-3423	G10		
103-6679	K4	200-2448	G3, R6	800-3424	G10		

NUMERICAL INDEX TO CATALOGUE NUMBERS (NATO SC)

Catalogue No.	Page No.	Catalogue No.	Page No.	Catalogue No.	Page No.	Catalogue No.	Page No.
804-8622	L17	805-0893	L39	805-5932	L21	806-5596	L4
804-8641	L17	805-0901	L7	805-5933	L21	806-5598	L4
804-8648	L17, L18	805-0902	L7	805-5943	L22	806-5599	L4
804-8808	L23A	805-1011	L12	805-6152	L5, L18, L23A	806-5600	L4
804-8810	L23A	805-1013	L23A		L22	806-5605	L4
804-8827	L10	805-1030	L33	805-6154	L22	806-5608	L1
804-8837	A11, L16	805-1031	L33	805-6155	L22	806-5613	L2, L3
804-8870	L6	805-1036	C3	805-6157	L21	806-5643	L2
804-8871	L6	805-1098	L9	805-6158	L21	806-5948	L1
804-8875	L22	805-1099	L9	805-6181	L17	806-6028	L2
804-8879	L27	805-1208	L23	805-6204	L28	806-6030	L3
804-8916	L28	805-1258	L21	805-6214	L13	806-6036	L3
804-8942	L27	805-1259	L5	805-6221	L24, L28	806-6037	L3
804-9023	L27	805-1273	L36, U3	805-6223	L23	806-6038	L2
804-9206	L10	805-1298	L22	805-6226	L21	806-6039	L3
804-9245	L27	805-1299	L22	805-6245	L23, L24	806-6053	L2
804-9248	L27	805-1347	L37, L39A	805-6273	A11, L5	806-6122	L2, L3
804-9249	L27	805-1349	U3, Z3	805-6306	L5	806-6126	L3
804-9250	L27	805-1429	L20, L21	805-6316	Z7	806-6127	L2
804-9277	L10	805-1506	L26	805-6455	L29, L30	806-6128	L2
804-9375	L22	805-2206	L23A	805-6457	L28, U3, Z3	806-6148	L3
804-9376	L22	805-2228	L33	805-6604	L21	806-6149	L3
804-9378	L22	805-2229	L29	805-6609	L22	806-6151	L3
804-9379	L22	805-2688	L34, L35, L37	805-6611	L21, L28	806-6152	L3
804-9380	L22		L30, L32, L33	805-6632	L38	806-6153	L3
804-9389	L10	805-2690	L32, L33	805-6634	L34	806-6154	L2
804-9429	L22	805-2694	L32, L33	805-6635	L35	806-6155	L2
804-9436	L22	805-2697	L32, L36, L39	805-6638	L38	806-6156	L2
804-9459	L22		L35, L38, L39	805-6659	L34	806-6158	L3
804-9460	L6	805-2700	L32, L33	805-6709	L36	806-6159	L2
804-9560	L27		L32, L35, L39	805-6805	L14	806-6160	L3
804-9561	L21	805-2701	L32, L34, L39	805-7053	L7	806-6161	L3
804-9562	L22	805-2702	L4A, L5	805-7122	L36	806-6162	L2
804-9654	L20		Z7	805-7314	C3	806-6165	L2
804-9709	L27	805-2703	L40	805-7729	E1	806-6167	L3
805-0007	L23A		L39A, L40	805-7772	C2	806-6168	L2
805-0009	L34	805-2809	L40	805-7774	E1	806-6174	A11, L2
805-0012	L23A	805-2840	L24, L34	805-7811	B2	806-6175	L3
805-0013	L33	805-2843	L23, L32, L39A	805-8023	L21, L22	806-6176	L2
805-0017	L33	805-2864	L38	805-9538	F2, F3	806-6177	L3
805-0019	L33	805-2871	L39	805-9786	L14	806-6179	L3
805-0021	L23A	805-2874	L39A, L40	806-0440	C3	806-6180	L2
805-0022	L23A, L24	805-2879	L40	806-0626	B3	806-6181	L3
805-0023	L23A, L24	805-2881	L39A	806-1332	C4, C6, L21	806-6182	L3
805-0024	L23A	805-2882	L40		A1	806-6185	L3
805-0029	L34	805-2889	L24, L34	806-3930	L1	806-6189	L3
805-0033	L34	805-2902	L23, L32, L39A	806-4002	L1	806-6190	L2
805-0034	L34		L38	806-4008	L1	806-6192	L4
805-0035	L33	805-2916	L37, L38, L40	806-4017	L1	806-6193	L2
805-0054	L24	805-2917	L34	806-4022	L4	806-6221	L3
805-0055	L24	805-2917	L35	806-4023	L4	806-6276	L4
805-0058	L28, L36, L40	805-2930	L34	806-4030	L4	806-6282	L2
		805-2981	K7, L38, L40	806-4197	L4	806-6306	L4
805-0197	S1	805-2982	L39A, L40	806-4254	L1, L2	806-6307	L4
805-0220	L39A, L40	805-2983	L5	806-4442	A11, L1	806-6331	L4
805-0221	L39A, L40, U3	805-2984	L32	806-4838	L3	806-6365	L3
805-0222	L40	805-3046	L10, L20, L24	806-4839	L3	806-6367	L1, L2, L3
805-0224	L39A		L37, L38, L40	806-4840	L3	806-6369	L1, L2, L3
805-0249	L24	805-3049	L40	806-4962	L4	806-6476	L1
805-0250	L24	805-3051	L34	806-4996	L1	806-6477	L1
805-0298	L35	805-3058	L35	806-5492	L1	806-6523	L1
805-0379	L20	805-3076	L34	806-5505	L1	806-6531	A11, L4A
805-0380	L20		K7, L38, L40	806-5507	L1	806-6532	L4A
805-0705	L35	805-3090	L40	806-5509	L2	806-6533	L4A
805-0732	L35	805-3144	L39A, L40	806-5510	L2	806-6534	L4A
805-0745	L35, L38	805-3153	L5	806-5511	L1	806-6785	L13, L14, F15
805-0768	U2	805-3249	L32	806-5512	L1		Z5
805-0796	L19	805-3967	L34	806-5513	L1	806-6876	R1
805-0829	L40	805-3969	L21	806-5515	L1	806-7983	R1
805-0844	L40	805-3972	L21	806-5516	L2	806-7984	R1
805-0848	U3	805-4476	L21	806-5552	L4, L5	806-7985	R1
805-0856	L40	805-4798	L33	806-5558	L1	806-8872	A4
805-0860	U3	805-4799	L22	806-5559	L1	806-8873	A4
805-0891	L27, L39	805-5657	L22	806-5565	L1	806-8874	A4
		805-5929	L21	806-5593	L4	806-8875	A1, A4
			L5	806-5594	L4	806-8876	A4

NUMERICAL INDEX TO CATALOGUE NUMBERS (NATO SC)

Catalogue No.	Page No.	Catalogue No.	Page No.	Catalogue No.	Page No.	Catalogue No.	Page No.
806-8877	A4	807-5050	C6	808-8027	H6	812-6085	R1
807-0360	L21	807-5048	C4	808-9249	L37, L39A	812-6088	R2
807-0624	F16, F18	807-5125	C4	809-0523	U2	812-6114	R1
807-3529	C4, C5	807-5126	C5	809-1428	R5	812-6115	R1
807-3531	C4	807-5137	C4	809-2684	F16, F17	812-6116	R1
807-3532	C5	807-5476	C1	809-2685	F16, F17	812-6128	R2
807-3535	C5	807-5522	C6	809-2794	F16, F17	812-6129	R2
807-3537	C4, C6	807-5662	C1	809-2796	F16, F17	812-6131	R1
807-3547	C5	807-5667	C1	809-4079	F16, F18	812-6151	R1
807-3548	C5	807-5668	C1	809-4149	F16, F18	812-6152	R1
807-3559	C6	807-5670	C1	809-8517	C6	812-6154	R2
807-3560	C6	807-5710	C4	809-8518	A3	812-6155	R1
807-3562	C5	807-5753	C1	810-5172	U2	812-6163	R2
807-3564	C5	807-5754	C1	810-5327	U3	812-6175	R2
807-3565	C5	807-5755	C1	810-6801	H2	812-6177	R2
807-3571	C5	807-5756	C1	810-7252	G10	812-6178	R1
807-3780	C7	807-5757	C1	810-7258	G7, G10	812-6179	R1
807-3815	C7	807-5758	C1	810-7292	G7	812-6201	R3
807-3816	A10, C7	807-5759	C1	810-7334	G10	812-6202	R4
807-3817	C7	807-5760	C1	810-7466	G10	812-6203	R4
807-3818	C7	807-5761	C1	810-8515	L21	812-6204	R4
807-3820	C7	807-5762	C1	811-6864	B1	812-6205	R4, R5
807-3826	C7	807-5763	C1	812-0719	A7	812-6206	R4, R5
807-3842	C6, C7	807-5764	C1	812-1103	A5	812-6231	R2
807-3843	C6, C7	807-5767	C1	812-1104	A5	812-6251	R3
807-3895	C6	807-5768	C1	812-1244	A5, A6, A7	812-6252	R2
807-3919	C3	807-5806	C6	812-1245	A1, A3	812-6256	R2
807-4063	C7	807-5818	C6	812-1285	A8	812-6258	R2
807-4064	C7	807-5832	C5	812-5783	R7	812-6259	R2
807-4102	C7	807-5835	C5	812-5785	R7	812-6265	R2
807-4149	C4	807-5843	C6	812-5786	R7	812-8447	R1
807-4151	C4	807-5896	C4	812-5787	R7	812-8510	R2
807-4235	C3	807-5907	C5	812-5788	R7	812-8511	R1
807-4454	C5, C6	807-5915	C5	812-5791	R7	812-8545	R3
807-4592	C5	807-5916	C5	812-5795	R6	812-8546	R3
807-4685	C5	807-5918	C4	812-5796	R6	812-8547	R3
807-4793	C6	807-5921	C4	812-5800	R7	812-8548	R3
807-4794	C5	807-6385	C7	812-5802	R7	813-0240	B4
807-4797	C6	807-6428	A10, C4	812-5803	R7	813-0430	U3
807-4805	C4	807-6436	C4, C6	812-5805	F10, R3	813-6608	K2
807-4842	C6	807-6474	C5	812-5812	R1	813-6612	K2
807-4843	C6	807-6507	C4	812-5813	R1	813-6618	K8
807-4860	C4, C6	807-6509	C6	812-5814	R1	813-7165	K8
807-4863	C3	807-6534	C5	812-5815	R1	813-7166	K8
807-4876	C5	807-6553	C5	812-5816	R1	813-7231	F4
807-4909	A10, C3	807-7055	C6	812-5817	R1	813-7335	F9
807-4965	C5	807-7296	C5	812-5818	R1	813-7365	F9
807-4968	C5	807-8310	C5	812-5819	R5	813-7366	F9
807-4969	C4	807-8341	C5	812-5825	R6	813-7367	F9
807-4971	C4	807-8347	C5	812-5826	R5	813-7372	F2, F3
807-4973	C4	807-8364	C5	812-5827	R4	813-7376	F2, F3
807-4974	C4	807-8419	C5	812-5836	R3	813-7377	F2, F3
807-4975	C4	807-8463	C5	812-5837	R3	813-7378	F2, F3
807-4976	C4	807-8615	C3	812-5839	R4, R6	813-7413	F9
807-4978	C4	807-9144	C5	812-5844	R3	813-7414	F9
807-4979	C5	807-9152	C4	812-5846	R3	813-7424	F9
807-4980	C5	808-2622	A10, C7	812-5848	R7	814-0234	F8
807-4981	C6	808-2623	C7	812-5849	R7	814-1037	E2
807-4982	C6	808-2624	C7	812-5851	R7	814-9227	L23
807-4983	C5	808-2625	C7	812-5856	K9	815-0131	F10
807-4984	C6	808-2626	C7	812-5857	K9	815-3046	R5
807-4986	C6	808-2627	C7	812-5858	K9	815-3047	R5
807-4987	C4	808-2628	C7	812-5859	R3	815-3048	R5
807-4988	C5	808-2629	C7	812-5861	R7	815-3049	R5
807-4989	C6	808-4354	C3	812-5863	K1, R7	815-3846	L40, P5
807-4991	C5	808-4655	C1	812-5866	K1, R3	815-4120	R5
807-5015	C4	808-7087	H6	812-5867	K2	815-4121	R5
807-5016	C4	808-7089	H7	812-5880	R2	815-4122	R5
807-5020	C5	808-7150	H6	812-5882	R2	815-4123	R5
807-5023	C4	808-7159	H6	812-5900	R1	815-4124	R5
807-5024	C4	808-7165	H7	812-5901	R7	815-4125	R5
807-5031	C4	808-7169	H7	812-5904	R3	815-4126	R5
807-5032	C4	808-7227	H7	812-5910	R1	815-4127	R5
807-5040	C4	808-8024	H6	812-6037	R1	815-4128	R5
807-5048	C6	808-8025	H6	812-6061	R1	815-4129	R5
807-5049	C6	808-8026	H6	812-6076	R1	815-4130	R5

NUMERICAL INDEX TO CATALOGUE NUMBERS (NATO 30)

Catalogue No.	Page No.	Catalogue No.	Page No.	Catalogue No.	Page No.	Catalogue No.	Page No.
815-4131	R5	815-6278	L31	815-6400	H4	815-6545	F9
815-4132	R5	815-6281	J1	815-6401	H5	815-6547	F8
815-4133	R5	815-6282	J1	815-6402	H5	815-6548	F9
815-4135	R5	815-6283	J1	815-6403	H4	815-6549	F8
815-4136	R5	815-6284	J1	815-6405	H1	815-6550	F8
815-4137	R6	815-6285	J1	815-6407	H1	815-6551	F8
815-4138	R6	815-6286	F17, J1	815-6409	H1	815-6553	F10
815-4139	R5, R6	815-6287	H6	815-6412	H2	815-6554	F9
815-4140	R6	815-6288	H6	815-6415	H4	815-6555	F9
815-4141	R6	815-6289	H6	815-6429	K1	815-6556	F4
815-4142	R6	815-6295	J1	815-6431	J1	815-6557	F3
815-4143	R6	815-6296	H3	815-6432	J1	815-6559	F9
815-4144	R6	815-6299	H3	815-6433	J1	815-6560	F4
815-4145	R6	815-6300	H3	815-6434	J2	815-6561	F4
815-4146	R6	815-6301	K1	815-6435	J2	815-6562	F4
815-4147	R6	815-6305	K1	815-6436	J2	815-6563	F2, F3
815-4148	R6	815-6310	K1	815-6437	J2	815-6564	F2, F3
815-4149	R6	815-6311	K2	815-6446	J1	815-6566	F9
815-4750	R6	815-6312	K1	815-6447	J1	815-6567	F4
815-6101	H1	815-6313	K1	815-6449	H1	815-6568	F4
815-6200	H4	815-6314	H2	815-6452	H2	815-6569	F4
815-6202	J1	815-6316	H4	815-6453	B2	815-6570	F4
815-6204	J1	815-6317	K1	815-6455	B3	815-6571	F4
815-6205	J1	815-6318	K1	815-6458	H2	815-6572	F4
815-6206	F17, J1	815-6319	K1	815-6459	H1	815-6573	F2
815-6207	H4	815-6320	K1	815-6463	K1	815-6574	F4
815-6208	H4	815-6322	K1	815-6467	K2	815-6575	F2
815-6209	H3	815-6326	F15	815-6468	H3	815-6576	F2
815-6210	H3	815-6327	B1	815-6469	K8	815-6577	F4
815-6211	H3	815-6328	B1, F10, F4	815-6470	K8	815-6578	F2
815-6212	H3		E1	815-6472	H3	815-6579	F4
815-6213	H3	815-6329	E1	815-6473	H3	815-6580	F2
815-6216	H4	815-6331	F4	815-6474	H3	815-6581	F5
815-6217	H2	815-6332	F4	815-6475	H3	815-6582	F5
815-6218	H2	815-6334	K1	815-6476	H3	815-6583	F10
815-6219	H2	815-6335	K1	815-6477	H2	815-6585	F10
815-6220	P5	815-6336	K1	815-6478	H2	815-6586	F10
815-6221	H1, H2, L21	815-6337	H2	815-6479	K8	815-6587	F10
815-6222	H1, H2	815-6338	H1, H4, K8	815-6484	K8	815-6588	F10
815-6224	H1	815-6339	H4	815-6488	K1	815-6589	F13
815-6225	H4	815-6340	H4	815-6497	J2	815-6591	F12
815-6226	P5	815-6341	H4	815-6501	G1	815-6592	F11
815-6227	H3	815-6342	H4	815-6502	F11	815-6593	G2
815-6228	H3	815-6343	H1	815-6504	F13	815-6594	G1
815-6229	H3, F4	815-6344	H3	815-6505	F12, F14, F16	815-6595	G2
815-6230	H3	815-6345	H3	815-6506	F14, F16	815-6597	G1
815-6231	H4	815-6347	H2	815-6508	F14	815-6598	G1
815-6233	P1, P2, P3	815-6348	P3	815-6509	F14	815-6599	G1
815-6235	H3	815-6351	H2	815-6510	F14	815-6600	G2
815-6237	H3	815-6352	H2	815-6511	F14	815-6602	G2
815-6238	H3	815-6355	H2	815-6512	F15, F17	815-6603	G2
815-6239	H3	815-6356	E2	815-6514	F4	815-6604	G2
815-6240	H3	815-6357	H2	815-6515	F8	815-6605	G2
815-6241	H3	815-6358	K2	815-6516	F8	815-6606	G2
815-6242	H3	815-6363	H2	815-6518	F5	815-6607	G3
815-6243	H3	815-6364	H2	815-6521	F5	815-6608	G1
815-6244	H3	815-6369	H5	815-6522	F5	815-6609	G1
815-6245	H3	815-6370	H5	815-6523	F5	815-6611	F7
815-6246	H3	815-6371	H5	815-6525	F7	815-6614	F7
815-6247	K3	815-6375	Z7	815-6526	F7	815-6616	G3
815-6248	H3	815-6378	J1	815-6527	F7	815-6618	F6
815-6249	H4, K1	815-6379	J1	815-6528	F7	815-6619	F11
815-6251	J1	815-6380	H6	815-6530	F6	815-6620	F15
815-6252	J1	815-6381	H6	815-6531	F6	815-6621	F14
815-6254	J1	815-6382	H4	815-6532	F6	815-6623	F14, F15
815-6256	J2	815-6383	H4	815-6533	F6	815-6624	F15
815-6257	J2	815-6385	K1	815-6534	F6	815-6625	F14
815-6262	J2	815-6386	K9	815-6536	F6	815-6626	F13
815-6264	H4	815-6387	H2	815-6537	F6	815-6627	F14
815-6265	H1	815-6388	H2	815-6538	F6	815-6628	F14, F16
815-6266	H1	815-6389	H2	815-6539	F7	815-6629	F15, F17
815-6269	H2	815-6390	H4	815-6540	F8, H3	815-6632	F14
815-6271	J1	815-6394	J1	815-6541	F10	815-6635	F12
815-6273	J2	815-6395	J1	815-6542	F9	815-6636	F10
815-6276	H4	815-6397	H4	815-6543	F8	815-6637	F11
815-6277	H4	815-6398	H4	815-6544	F9	815-6638	F12

RESTRICTED
 NUMERICAL INDEX TO CATALOGUE NUMBERS (NATO SC)

Catalogue No.	Page No.	Catalogue No.	Page No.	Catalogue No.	Page No.	Catalogue No.	Page No.
815-6639	F5	815-6729	F12	815-6848	F11	815-7008	G6
815-6640	F4	815-6731	F12	815-6849	F11	815-7010	G6
815-6641	F9	815-6732	F9	815-6850	F11	815-7013	G6
815-6643	F15, F17	815-6733	F7	815-6851	F12	815-7015	G4, G5
815-6645	F14, F16	815-6736	F13	815-6852	F12	815-7016	G6
815-6646	F8	815-6737	F14, F16	815-6853	F12	815-7017	G5
815-6648	F2, F3	815-6738	F12	815-6855	G2	815-7018	G4
815-6649	F4	815-6740	F6	815-6856	G2	815-7019	G6
815-6650	F14	815-6741	F6	815-6857	G2	815-7020	F15, G5
815-6651	F14	815-6742	F6	815-6858	F16, F17	815-7021	G6
815-6652	F14, F16	815-6744	F15, F17	815-6859	F15, F17	815-7022	G6
	F17	815-6745	F12	815-6860	F15, F17	815-7023	G4
812-6653	F12	815-6746	F14, F16	815-6861	F15, F17	815-7024	G5
815-6654	F2, F3	815-6747	F13, F16	815-6862	F15, F17	815-7025	G5
815-6655	F2, F3	815-6748	F13, F16	815-6863	F13, F16	815-7026	G5
815-6656	K8	815-6749	F7	815-6864	F13, F16	815-7028	G14
815-6659	F10	815-6752	F2, F3	815-6865	F13, F16	815-7029	G1, G7
815-6660	F10	815-6753	F2, F3	815-6869	F5	815-7030	G1, G7
815-6661	F9	815-6754	F2, F3	815-6875	F7	815-7031	G8
815-6662	F9	815-6755	F2, F3	815-6876	F7	815-7032	G8
815-6664	F8	815-6756	F2, F3	815-6877	F7	815-7033	G8
815-6665	F2, F3	815-6757	F14, F16	815-6878	F5	815-7034	G8
815-6666	F15, F17	815-6758	F10	815-6879	F5	815-7035	G8
815-6667	G2	815-6759	F6	815-6880	F5	815-7036	G8
815-6669	F2, F3, F4	815-6760	F13	815-6881	F5	815-7037	G8
815-6670	F12	815-6762	F9	815-6882	F5	815-7038	G8
815-6671	F7	815-6763	F10	815-6883	F5	815-7039	G8
815-6672	F13, F16	815-6764	F9	815-6884	F7	815-7041	G8
815-6673	F9, F10, F13	815-6765	F15	815-6885	F7	815-7042	G8
		815-6766	F15, F17	815-6886	F7	815-7043	G9
815-6675	F3	815-6767	F6	815-6887	F5	815-7044	G8, G9, K4
815-6676	F3	815-6768	F11	815-6888	F5	815-7045	G8
815-6677	F10	815-6769	F1	815-6889	F5	815-7047	G3, G9
815-6678	F10	815-6770	F3	815-6890	F5	815-7049	G9
815-6680	F10	815-6771	F3	815-6891	F5	815-7050	G7
815-6681	F5	815-6772	F5	815-6892	F5	815-7051	G3, G7
815-6682	F5	815-6773	F6	815-6893	F5	815-7052	G7
815-6683	F7	815-6776	F6	815-6894	F5	815-7053	G4
815-6684	F7	815-6777	F4	815-6895	F7	815-7054	G8
815-6685	F7, F12	815-6779	F1	815-6896	F7	815-7057	G5
815-6686	F7	815-6780	F1	815-6897	F7	815-7058	G5
815-6687	F6	815-6781	F1	815-6898	F7	815-7059	G6
815-6688	F6	815-6782	F1	815-6899	F12, F16	815-7060	G5
815-6689	F6	815-6784	F16, F17	815-6900	F12, F16	815-7063	G5
815-6690	F6	815-6785	F15, F17	815-6901	F12, F16	815-7064	G2
815-6691	F7	815-6786	F16	815-6904	F1	815-7065	G5
815-6692	F7	815-6789	F12, F14	815-6905	F1	815-7067	G5
815-6693	F7	815-6794	F6	815-6907	F1	815-7068	G6
815-6694	F7	815-6795	F10	815-6908	F1	815-7069	G6
815-6695	F8	815-6796	F3	815-6909	F1	815-7070	G6
815-6696	F8	815-6797	F3	815-6911	F1	815-7071	G6
815-6698	F8	815-6798	F8	815-6912	F1	815-7072	G5
815-6699	F8	815-6799	F4	815-6915	F16, F17	815-7074	F15
815-6700	F8	815-6800	F5	815-6919	F13, F16	815-7078	G3
815-6701	F8	815-6801	F6	815-6921	F1	815-7080	G4
815-6702	F9	815-6805	F9	815-6922	F14	815-7082	G1
815-6703	F9	815-6806	F2	815-6923	F15	815-7083	G1
815-6704	F10	815-6809	F10, K2	815-6924	F14, F16	815-7084	G8
815-6706	F10	815-6810	F2, F3	815-6925	F14	815-7085	G1
815-6707	F9	815-6813	F14	815-6926	F9	815-7087	G7
815-6708	F8	815-6814	F14	815-6927	F3	815-7088	L28
815-6709	F4	815-6815	F14	815-6929	F15, F17	815-7089	G3
815-6710	F4	815-6816	F14	815-6931	F15, F17	815-7093	B1
815-6711	F3	815-6817	F5	815-6932	F14, F16	815-7099	G1
815-6712	F3	815-6818	F7	815-6934	F11	815-7101	G6
815-6713	F2	815-6832	F6	815-6935	F8	815-7102	G8
815-6714	F2	815-6833	F6	815-6936	F4	815-7104	G4
815-6715	F2	815-6839	F1	815-6937	F13	815-7105	F15
815-6717	F5	815-6840	F1	815-7000	G6	815-7108	G6
815-6718	F8	815-6841	F1	815-7001	G4, G5	815-7109	G1
815-6720	F9	815-6842	F12	815-7002	G4	815-7111	F2, F3
815-6722	F1	815-6843	F12	815-7003	G4	815-7112	G7
815-6723	F12	815-6844	F12	815-7004	G6	815-7113	G7
815-6724	F1	815-6845	F12	815-7005	G6	815-7114	G3, G4
815-6726	F1	815-6846	F12	815-7006	G6	815-7115	G3
815-6727	F12	815-6847	F12	815-7007	G6	815-7116	G5

NUMERICAL INDEX TO CATALOGUE NUMBERS (NATO SC)

Catalogue No.	Page No.	Catalogue No.	Page No.	Catalogue No.	Page No.	Catalogue No.	Page No.
815-7117	G5	815-7381	P1	815-7653	B2	816-7035	U2
815-7118	G4	815-7382	E1	815-7654	B3	816-7036	U2
815-7119	G4	815-7383	P4	815-7655	B3	816-7037	U2
815-7120	G1	815-7384	P3	815-7656	B1	816-7038	U3
815-7121	G8	815-7386	P2	815-7657	B1	816-7039	U3
815-7122	G5	815-7387	K1	815-7658	B1	816-7040	U1
815-7123	G5	815-7388	H2	815-7659	B1, Z7	816-7041	U1
815-7126	G6	815-7389	K1	815-7660	B1	816-7042	U1
815-7128	G5	815-7391	K2	815-7661	E1	816-7043	U3
815-7129	G5	815-7392	K1	815-7663	E1	818-3309	F14, F15, F17
815-7130	G6	815-7394	P3	815-7666	B2	821-7244	C3
815-7131	G6	815-7396	P1, P2, P3	815-7667	B1	823-5527	L34
815-7132	G4, G5	815-7398	P3	815-7668	E1	823-7998	F13
825-7133	G4, G5	815-7400	P1	815-7669	B1	823-7999	F16
815-7134	G4, G5	815-7402	P2	815-7670	G8	823-9896	C3
815-7135	G4	815-7404	F14; P2	815-7671	B2	825-0217	H7
815-7136	G4	815-7407	P1	815-7672	B2	825-2789	F14, F16
815-7137	G4	815-7408	P3	815-7673	B2	827-6711	C3
815-7138	G4	815-7411	P1	815-7674	B2	827-6712	C3
815-7140	G4	815-7416	P2	815-7675	B2	827-6713	C3
815-7141	G4	815-7417	P2	815-7678	E2	829-0695	H7
815-7142	G5	815-7420	K1	815-7679	E2	830-9098	C3
815-7148	F13, F16	815-7423	H2	815-7680	B3	830-9099	C3
815-7149	F13, F16	815-7425	P2	815-7682	B1	832-0804	A7
815-7222	G2, G3, G4	815-7431	E1	815-7683	E2	836-7583	G12, G13
815-7223	G4	815-7432	Z7	815-7685	B1	836-7586	G13
815-7225	G3	815-7433	Z7	815-7686	B2	836-7632	G13
815-7227	G3	815-7434	Z7	815-7692	F10	836-7809	G9
815-7228	G4	815-7435	Z7	815-7693	B1	836-8331	G9
815-7229	P1, P2, P4	815-7436	Z7	815-7694	B1	836-8506	F11
815-7230	G2	815-7437	P3	815-7695	B2	836-8544	F11
815-7231	G2	815-7438	Z7	815-7696	E1	836-8583	F11
815-7232	G2, G3	815-7441	L29	815-7697	E2	836-8584	F11
815-7234	G3	815-7442	L29	815-7698	E1	836-8589	F11
815-7235	G3	815-7443	L29	815-7699	E2	836-8597	F11
815-7238	H7	815-7445	L27	815-7705	C8	836-8720	F11
815-7239	C6	815-7447	P4	815-7706	C8	836-8884	F11
815-7240	C6	815-7448	P4	815-7711	C7	836-8886	F11
815-7242	G2, G3, R3	815-7449	P4	815-7713	C8	836-8954	F11
815-7245	G2	815-7450	P4	815-7753	A10	836-8963	F11
815-7246	G1	815-7451	P2	815-7754	A10	836-8964	F11
815-7248	H7	815-7454	E1	815-7755	A10	838-0817	F17
815-7249	H7	815-7455	E1	815-7756	D1	838-0818	F17
815-7250	J1	815-7456	P4	815-7757	A10	838-0850	F13
815-7251	J1	815-7457	P4	815-7758	A10	838-0851	F13
815-7253	L31	815-7550	C3	815-7760	D1	838-0852	F16
815-7254	G1, G6	815-7551	C2	815-7762	D1	838-0853	F16
815-7255	H7	815-7552	C2	815-7763	A10	842-9002	A5
815-7256	P3	815-7553	C3	815-7767	A10	842-9003	A5
815-7257	P3	815-7554	C2	815-7768	A10	848-2555	C2
815-7259	P2	815-7555	C2	815-7773	A10	848-2558	C2
815-7260	P3	815-7558	C1, C2	815-7774	A10	848-2559	C2
815-7261	P3	815-7559	C1, C2	815-7778	D1	848-2560	C2
815-7263	H7	815-7561	C2	815-7780	D1	848-5201	L29
815-7264	H6	815-7562	C1	815-8050	P3	848-5202	L29
815-7294	G4	815-7563	H2	815-8054	P4	848-9259	F16
815-7313	Z7	815-7564	H2	815-8056	L27	848-9994	F13, F16,
815-7314	G9	815-7565	H2	815-8057	L40	862-2912	A1
815-7328	G3	815-7567	C8	815-8058	L27	865-1103	A5
815-7350	P4	815-7568	C2	815-8060	L39	865-1210	L5
815-7351	H2	815-7569	C2	815-8064	L29	865-1273	A9
815-7352	E1	815-7571	C1	815-8067	C7	865-1360	A3
815-7353	E1	815-7572	C2	815-8068	C7	865-1361	A3
815-7360	P4	815-7573	C2	815-8071	L40	865-1363	A5
815-7362	P4	815-7577	C1	815-8073	L40	865-1364	A1, A6
815-7354	P4	815-7579	C1	815-8074	L40	865-1369	A9
815-7364	P4	815-7580	C1	815-8102	L29	865-1374	A8
815-7365	P3	815-7601	L20	815-8103	L29	865-1375	A1
815-7367	L40	815-7602	L20	815-8150	L31	865-1377	A1
815-7370	E1	815-7603	L39	815-8203	B2	865-1381	A1, A7
815-7371	E1	815-7607	E1	815-8204	B3	865-1382	A1
815-7372	E1	815-7608	L24	816-6426	F15, F17	865-1387	A7
815-7373	E1	815-7650	B2	816-7032	U1	865-1389	A7
815-7375	L27	815-7651	B2	816-7033	U1	865-1399	A1
815-7377	P3	815-7652	B2	816-7034	U1	865-1401	A1

NUMERICAL INDEX TO CATALOGUE NUMBERS (NATO SC)

Catalogue No.	Page No.	Catalogue No.	Page No.	Catalogue No.	Page No.	Catalogue No.	Page No.
865-1402	A7	865-2347	A3	865-2536	B4	865-2861	A3
865-1403	A7	865-2350	A3	865-2538	B4	865-2862	A3
865-1405	A1	865-2355	A8	865-2539	B4	865-2865	A5
865-1412	A7	865-2356	A7	865-2540	A4	865-2866	A5
865-1441	A9	865-2357	A9	865-2541	A4	865-2880	C6
865-1442	A9	865-2358	A3	865-2542	A4	865-2913	A3
865-1449	A6	865-2362	A6	865-2543	A4	865-2923	A7
865-1452	A2	865-2363	A6	865-2544	A4	865-2962	A5
865-1459	A5	865-2365	A6	865-2545	A4	865-2981	A5
865-1463	A9	865-2375	B4	865-2546	A4	865-2984	A5
865-1474	A1, A2, A10	865-2376	B4	865-2551	A9	865-2985	A5
865-1475	A1, B4	865-2378	A3	865-2553	A3	865-2995	A7
865-1476	A1, A2, B4	865-2379	A3	865-2555	A8	865-3005	A3
865-1477	A2, A9, A11	865-2380	A4	865-2559	A2, A6	865-3036	A5
865-1478	L4A	865-2384	A1	865-2560	A3	865-3037	A5
865-1479	A1	865-2387	A5	865-2561	A3	865-3043	A7
865-1487	A1, A6, A9	865-2388	A3	865-2564	A9	865-3045	A7
865-1488	A1, A6, A8	865-2389	A5	865-2568	A3	865-3046	A7
865-1489	A6	865-2395	A6	865-2575	A2	865-3093	A9
865-1492	A8	865-2396	A9	865-2577	A1	865-3106	A9
865-1493	A2, B4	865-2397	A2	865-2579	B4	865-3107	A9
865-1494	A9	865-2398	A4	865-2581	A8	865-3112	A2
865-1496	A4	865-2399	A5	865-2583	A9	865-3114	A1, A2
865-1497	A11, L16	865-2400	A1	865-2585	A10	865-3129	A9
865-1499	A1	865-2401	A11	865-2586	A10	865-3134	A9
865-1500	A1, A9	865-2406	A6	865-2588	L16	865-3135	A4
865-1501	A2, A9	865-2407	A3	865-2603	A1	865-3140	A3
865-1503	A6	865-2408	A8	865-2605	A1	865-3220	A5
865-1514	A11	865-2409	A8	865-2608	E2	865-3242	L16
865-1515	A1	865-2410	A8	865-2616	A6	865-3243	L16
865-1519	A1	865-2412	A1	865-2617	A6	865-3244	L16
865-1535	A5	865-2415	A3	865-2626	E2	865-3245	L16
865-1540	A5	865-2416	A3	865-2631	E2	865-3247	L16
865-1541	B4	865-2417	A3	865-2654	E15	865-3249	L16
865-1550	A3	865-2419	A3	865-2676	A2, A6	865-3255	A9
865-1619	C7	865-2420	A1	865-2718	A4	865-3256	A3
865-1652	L6	865-2421	A3	865-2719	A4	865-3257	A3
865-1672	A3	865-2422	A3	865-2723	A9	865-3258	A3
865-1678	A6	865-2423	A3	865-2753	A6	865-3259	A3
865-1682	A6	865-2424	A3	865-2754	A2	865-3260	A8
865-1716	A5	865-2425	A11	865-2755	A6	865-3265	A9
865-1718	A5	865-2429	L6	865-2756	A6	865-3266	A9
865-1851	A4	865-2430	A2	865-2757	A7	865-3299	A7
865-2078	E2	865-2431	A3	865-2759	A6	865-3313	L16
865-2235	A9	865-2433	A1	865-2767	A8	865-3315	L15, L16
865-2282	A8	865-2434	A2	865-2768	A6	865-3362	A1
865-2287	A8	865-2438	A3	865-2789	A2	865-3394	A4
865-2288	A8	865-2439	A1	865-2770	C4	865-3415	A4
865-2290	A8	865-2444	A5	865-2780	C4	865-3424	A8
865-2292	A8	865-2445	A5	865-2781	F1	865-3486	A4
865-2293	A8	865-2446	A8	865-2782	A6	865-3492	A4
865-2294	A4	865-2451	A2	865-2789	C4	865-3523	A3
865-2296	A4	865-2458	A7	865-2791	A5	865-3549	A7
865-2297	A4	865-2460	C7	865-2806	A8	865-3550	A7
865-2298	A8	865-2463	L16	865-2813	C6, L4	865-3578	A3
865-2305	A8	865-2464	L16	865-2814	C6, L4	865-3627	A5
865-2308	A4	865-2467	A5	865-2828	A5	865-3638	A5
865-2309	A3	865-2471	A1	865-2829	A5	865-3863	A1
865-2310	A2	865-2476	L16	865-2830	A5	865-4295	C7
865-2311	A8	865-2479	A5	865-2831	A5	865-4319	A2
865-2312	A3	865-2480	A5	865-2832	A5	865-4323	C3
865-2314	A11	865-2481	A5	865-2834	A5	865-4324	C6
865-2316	L16	865-2484	A7	865-2836	A5	865-4337	C7
865-2321	A4	865-2486	A8	865-2837	A5	865-4338	C6
865-2322	A4	865-2493	A7	865-2838	A5	865-4340	C7
865-2323	A11	865-2497	L16	865-2839	A2	865-4341	C7
865-2326	A2	865-2499	L16	865-2842	A6	865-4342	C6
865-2328	A1	865-2511	A6	865-2843	A6	865-4357	C4
865-2331	A3	865-2513	A8	865-2845	A6	865-4358	C6
865-2334	A7	865-2514	A8, L4	865-2846	A2	865-4362	A2
865-2342	A8	865-2515	A6	865-2848	A5	865-4482	L12
865-2343	A5, A8	865-2519	L6	865-2849	L16	865-4483	L15
865-2344	A8	865-2522	A8	865-2850	L16	865-4492	L16
865-2345	A8	865-2534	A4	865-2855	A6	865-4493	L15
865-2346	A8	865-2535	A4	865-2860	A5	865-4497	A2

RESTRICTED
 NUMERICAL INDEX TO CATALOGUE NUMBERS (NATO SC)

Catalogue No.	Page No.	Catalogue No.	Page No.	Catalogue No.	Page No.	Catalogue No.	Page No.
865-4556	A5, B4	881-3247	G14	910-9182	L31	947-0584	U3
865-4557	A8, B4	881-3249	G13	910-9184	L31	947-0585	U3
865-4562	B3	881-3250	G14	910-9185	L31	949-3103	L34
865-4628	B4	881-3251	G9, K7	910-9186	L31	950-0012	F4
865-4634	B5	881-3340	L27	910-9187	L31	950-0053	L15
865-4635	B4	881-3633	L21	910-9946	L24	950-0054	B3
865-4644	B3	881-3634	L20	912-9493	L12	950-0056	L14
865-4649	B4	881-3711	L34	914-8723	L5	950-0058	F1
865-4650	B4	881-4219	U1	932-2359	L29	950-0061	F4
865-4662	B3	881-4524	G9	932-5189	U2	950-0080	F6
865-4663	B3	881-4530	G9	940-1015	L32, L38,	950-0192	B2
865-4668	B4	881-4532	G9		L39	950-0246	B2
865-4670	B3	881-5622	L20	940-1016	L32, L35,	950-0567	J2
865-4686	B3	881-5623	L20		L39	950-0569	G4
865-4688	B3	881-5675	Z4	940-1017	L32	950-0570	G10
865-4689	B3	881-5774	L20	940-1018	L34	950-0573	F7
865-4690	B3	881-7014	G9	940-3238	L11	950-0575	F4
865-4691	B3	881-7335	P5	940-8598	L35	950-0736	L11
865-4693	B3	881-8499	L37	940-8599	L34	950-0767	L15
865-4695	A11, B3	881-9024	U2	940-8648	L36	950-0833	L13
865-4696	B3	881-9388	L20, L21	940-8722	L34	950-0908	F12
865-4713	B3	881-9664	L20	940-8855	L16	950-0918	F11
865-4866	E2	881-9994	L33	940-8670	L34	950-0932	F7
865-4867	A6	881-9995	L38	940-9240	L8, L11	950-0938	F7
865-4868	A6	882-0011	L37	940-9459	L37	950-0960	F7
865-4870	A7	882-0053	L35	940-9472	L23, L28	950-0968	F5
865-4871	E2	882-0055	L32-L33,	940-9836	L5, L17	950-1003	F14, F16
865-4874	A7		L38	940-9989	L11, L13	950-1058	F5
865-4962	B4, L12	882-0101	K7		L17	950-1104	F15, F17
	L15	882-0752	L25	941-3524	H7	950-1177	L1
865-5250	L5	896-0213	Z1, Z2, Z4	941-8881	A6	950-1179	L7
865-5341	L11	896-0688	F13, F16	942-4347	L17	950-1245	F1, G4
865-5848	A1	900-1638	L17	942-4752	F2, F3	950-1246	L12
865-6832	L23A	900-6728	L16	942-5027	H5	950-1247	F12, G4
866-2275	E1	900-8198	L33	942-5699	K8	950-1301	F15, F16,
866-2276	E1	901-2567	L17	942-5708	R6		F17
866-2277	P5	901-2998	U3, Z4	942-5752	L2	950-1305	F4
866-2278	P5	901-3287	F10, L4,	942-5753	G4, G5	950-1361	F12, G5
866-2279	P3		L27	942-6839	G3	960-6622	S1
866-2280	E1	901-3547	U2	942-6848	G9	960-9401	L14
866-2283	E1	901-6812	L11	942-7727	B1, B3	960-9718	K6
866-2655	L16	910-0005	U3	942-7728	B5	962-1003	S1
866-6994	A1	910-0188	L5	942-7731	B1	962-1004	S1
866-8640	G11	910-0334	L25	942-7808	F14, J2	962-1064	S1
866-8643	G11	910-1536	L29	942-7876	L31	962-1066	S1
866-8644	G11	910-7654	F15, F16,	942-8069	G1, K9	962-1164	S1
866-8645	G11		H2	942-8082	K1	962-1167	S1
866-9205	A9	910-7655	F16, F17	942-8083	G1, G3	962-1168	S1
866-9548	F12	910-7656	F16, F17	942-8104	R3	962-1169	S1
866-9618	A5, A8	910-8192	K5	942-8107	G1, G6	962-1171	S1
866-9623	F11	910-8196	L11	942-9463	B2, C2, G9	962-1172	S1
866-9624	F11	910-8200	J2, L15	942-9610	B1	962-1173	S1
866-9653	R2	910-8205	K4	942-9631	K6	962-1224	S1
867-1593	R4	910-8207	F1	943-0016	L22	965-6438	Z2, Z5
867-5529	D1	910-8242	B3	943-0020	L22	965-7942	Z1, Z2, Z3
867-5530	D1	910-8272	A3	943-0125	K6	965-7947	Z1, Z4
867-5532	D1	910-8274	G10	943-0551	F10	965-7948	Z1, Z4
867-5533	D1	910-8280	R6	943-0832	L12	965-7949	Z1, Z4
867-5534	D1	910-8281	G10	943-1509	Q2	965-7950	Z1, Z4
881-2217	L29, L30	910-8288	F5, G10,	943-4400	C3	965-7952	Z1, Z2, Z4
	Z3		K5	943-4791	G4	965-7953	Z1, Z2, Z5
881-2348	L34	910-8294	F14, F16	943-4824	L4, L39A,	965-7957	Z1, Z2, Z5
881-2809	L32, L37	910-8296	F1, F15,		U3	965-7958	Z2, Z5
	U3		L15	943-5658	F7, F12	965-7959	Z1, Z2, Z5
881-2810	L32, L33,	910-8298	F5	943-5951	F3, F6	965-8600	Z1, Z2, Z5
	L37	910-8329	B3	943-5953	F2, F3, K8	965-8948	Z1, Z2, Z4
881-2811	L35, L37	910-8330	F14, F16	943-5957	L12	965-8949	Z1, Z2, Z4
881-2814	L37	910-8336	F6	943-5959	G5	965-8952	Z1, Z2, Z4
881-2815	U2, Z6	910-9175	L31	943-6806	L24	965-8953	Z1, Z2, Z4
881-2816	U2, Z6	910-9176	L31	943-6893	L31	965-8954	Z1, Z2, Z5
881-2817	L34	910-9177	L31	943-7135	C1	965-8955	Z1, Z4
881-2819	L34	910-9178	L31	943-9437	C3	965-8956	Z1, Z4
881-3017	L16	910-9179	L31	943-9842	F14	966-0001	Z1, Z2, Z3
881-3212	J2	910-9180	L31	945-1100	L6	966-0002	Z1, Z2, Z3
881-3239	K4	910-9181	L31	945-5074	L7, L24,	966-0003	Z1, Z2, Z3
					L34		

RESTRICTED

NUMERICAL INDEX TO CATALOGUE NUMBERS (NATO SC)

Catalogue No.	Page No.	Catalogue No.	Page No.	Catalogue No.	Page No.	Catalogue No.	Page No.
966-0004	Z1, Z2, Z3						
966-0005	Z1, Z2, Z5						
972-6109	L11						
995-2236	L22, L30, L32						
995-2254	U3						
995-3244	L30						
995-3296	L29						
995-4508	L31						
995-9118	L20						
999-6367	U2						

RESTRICTED

NUMERICAL INDEX TO PART NUMBERS

Part No.	Page No.	Part No.	Page No.	Part No.	Page No.	Part No.	Page No.
LO/CG1/S	L4	RR/UA853/Z	A5, B4	TF/G500-5INKG	L29	FV9903	F14, F16
LO/CG1/W	L4	RR/UA854/Z	A8, B4	RR/KB5521	L6	FV9904	F13, F16
RP/T1	L35	RR/UA861/Z	A5	CB/5580/LB	L18	FV9908	F14
RHP-MJ1	F17	RR/UA902/R	A6	SM/85595	C3	FV9910	F14
CB/QA3	L23A	RR/UA903/Z	A2	NA5704	F14	FV9915	F14
LO/SS4	L4	RR/UA919/Z	A5	NA5803	F14	FV9919	F15, G5
CB/QA5	L23A	RR/UA955/Z	A9	RR/KB6200	A3	FV9922	F17, J1
GO/MIS04	L6	QR/QRD1001	L33	RR/KB6205	A6	FV9927	F15, F17
CB/L10	L16	QR/QRD1004	L33	RR/KB6208	A6	SM00102	J2
SM/STD14	L25	SM/AT1005	A8	SM/86520A	C3	10019	E2
CB/BCK37	L16	QR/QRD/1023	L34	CB/NS65/6/Z1	L9	CB/NS100/9Z1	L13
CB/BBNPA44	L10	QR/QRD1024	L34	SW/A6740	L13	SM/S10150	C3
RP/RS49	L20, L21	QR/QRD1031	L33	RR/KB7106	A3, A6	LHD/10543	K6
QR/RQA96	L34	RR/KB1076	A8, A10	RR/KB7107	A5, A7	SX/10593	C5
QR/QRA60	L33	RR/KB1077	A1, B4	RR/KB7108	A1, A3	SX/10636	C5
RP/RS63	L20	RR/KB1078	A1, A2, B4	SX/7135	C5, C6	SX/10639	C4
LU/31082	L27	RR/KB1079	A2, A9, A11	NT7281NB	J3	SX/10641	C4
GO/MIS112	L15	RR/KB1081	A1	RR/KB7401	A5	SX/10642	C4
FSP1/14	E2	RR/KB1091	A1, A6, A9	RR/KB7501/Z	A5	SX/10644	C4
GO/R114	L25	RR/KB1093	A6	FV7996	F16	SX/10645	C4
GO/R176	L18	KB1097	A8, A10,	NT8145NB	J2	SX/10647	C4
RR/KC178	A7		A11	NT8147NB	J2	SX/10650	C4
TF/KC178	L29	RR/KB1098	A2, B4	NT8163	C5	SX/10653	C5
LF/JSB220	E2	RR/KB1099	A9	NT8232NB	J2	SX/10655	C5
LF2/23	E2	RR/UA1102	A4	NT8243NB	J2	SX/10660	C6
LF2/29	E2	UA1105	L16	NT8287NB	J2	SX/10661	C6
LF2/31B	E2	SX/1129	C6	SS/S82887	L6	SX/10662	C5
24/2D.P	U3	RR/UA1153/Z	A1	NT8294NB	J2	SX/10663	C6
CB/F242	L9	RR/UA1155/Z	A1, A9	NT8319NB	J3	SX/10664	C6
CB/F243	L9	UA1157/Z	A2, A9	NT8375NB	J2	SX/10671	C6
CB/F248	L11	RR/KB1186	A6	NT8376NB	J2	SX/10673	C4
RR/KB252/Z	A9	SM/S1216A	C3	NT8377NB	J2	SX/10679	C5
CB/F255	L12	RR/UA1302	A8	NT8378NB	J2	SX/10680	C6
CB/F256	L13	RR/UA1401/Z	A9, A11	NT8512NB	J2	SX/10688	C5
CB/NS39/5T	L10	RR/UA1402/Z	A1	NT8518NB	J2	SX/10866	C4
CB/NS39/9T	L10	RR/UA1603/Z	A1	NT8526NB	J2	SX/10867	C4
CB/A447	L11	KS/D1908	C7	FV8591	F13, F15,	SX/10898	C5
CB/A467	L13	KS/D1909	C7		F16	SX/10958	C4
KS/E479	C7	SM/FG1992M	C2	SX/8612	C5	SX/10962	C4
RR/KC505	A5	SM/FG1993	C2	NT8637NB	J2	SX/11034	C4
RR/KC506	A5	SM/PG2074	L6	SX/9193	C6	SX/11038	C4
RR/KC507	A5	SM/PG2082	L6	SX/9194	C5	MIS110/SE70	F16
KC508	A5	CB/NW2/153	L11	SX/9245	C4	SX/11102	C4
RR/KC515	A3	CB/233/1	L22	SX/9573	C6	M1MR/1174SA	S1
RR/KC518	A3	SM/FG2440	C2	SX/9574	C6	SX/11174	C6
RR/UA552	A1, A6	CB/BWNB24/66	L28	FV9577	F13, G11	FV11300	B1
SM/FG558	C2	RR/US2553/Z	B3	FV9578	F13, G11	SX/11308	C6
RR/UA559/R	A5	KS/E259/6	C7	FV9579	F16, G12	SX/11310	C6
SM/559PG	L6	RR/US2614/R	A5	FV9580	F16, G12	FV11320	G6
RC/WE575	L35	RR/UA2616/R	A5	FV9595	F4	FV11321	G6
RR/UA602/N	A9	RR/UA2751/Z	A5	FV9606	B2	FV11324	H2
KS/E647	A10, C7	RR/K2804/Z	B4	SX/9698	C4, C6	FV11326	G4
KB651/Z	A8	SW/2823	L14	FV9740	G6	FV11327	G5
RR/UA651/Z	A1	GO/R3056	L34	FV9751	G4, G5	FV11329	G5
RR/UA653	A1	SW/3787A	L15	FV9756	G4	FV11331	G5
RR/UA655/Z	A1	SW/3788A	L15	FV9760	G4	FV11333	F11
KS/E657	A10, C7	SW/3789A	L14	FV9765	G6	FV11334	F11
KS/E658	C7	SW/3791A	L14	FV9823	G1	FV11363	G7
KS/D661	C7	SW/3793A	L14	SX/9829	C5	SX/11496	C4
KS/E667	C7	SW/3794	L14	FV9841	G6	LHD/12272	K7
KS/E702	C7	CB/NS39/14T	L23A	FV9842	G6	SX/12272	C4
RR/UA703/Z	A1, A7	SX/3950	C4	FV9843	G6	SX/12274	C5
RR/UA704/Z	A1	SW/4002A	L14	FV9844	G6	SX/12364	C4
RR/UA708/Z	A1	SX/4024	C5	FV9846	G6	SX/12542	C4
RR/UA714/Z	A7	SW/4030	C4	FV9849	G6	SX/13118	C5
RR/UA717/Z	A7	SX/4031	C4	SX/9862	C5	SX/13119	C4
RR/UA754/Z	A1	LO/EC4/120	L4	FV9867	G4, G5	FV14181	A2
RR/UA755/Z	A1	SX/4122	C6	FV9868	G6	FV14214	E2
UA756/Z	A7	SX/4123	C6	FV9872	G5	FV14933	L30
RR/UA757/Z	A7	CB/NS4/17Z1	L29	FV9889	G4	GO/R149P90	L18
RR/UA759/Z	A1	SX/4384	C4, C5	FV9892	G6	FV142991	A5
RR/UA769/Z	A7	NN/X4415I	L19	FV9893	F11	FV15523	C2
LO/IP772	L4	SW/4635A	L14	FV9899	F13	RB15-875	C3
NTSL827NB	J2	MIS46/SE70	F16	FV9901	F12, F14,	EI/E17251	L28
RR/UA851/Z	A9	FV4703	B4		F16	B190562	C3
RR/UA852/Z	A9						

NUMERICAL INDEX TO PART NUMBERS

Part No.	Page No.	Part No.	Page No.	Part No.	Page No.	Part No.	Page No.
PC19355	L29	FV39352	L23A, L24	FV50077	F4	SX/50362	C5
BSK19647	L29	NN/X4018/1	L18, L19	FV50078	F4	FV50371	L29
GE/WE20848	L24	SX/4031/1	C5	FV50083	F4	FV50375	A10
GE/WE20941	L24	SX/4031/L2	C4	FV50084	F2	FV50376	A10
SX/2134/1	C6	SS/A40569	L8	FV50088	F4	FV50379	A10
LGD/22356	K7	SS/40570	L8	FV50089	F2	FV50391	E1
LHD/25303	K7	SS/40733	L7	FV50090	F2	FV50394	E1
SW/26335	L15	SS/40734	L7	FV50093	F4	FV50400	E1
TD26930	P4	SS/40735	L7	FV50094	F2	FV50414	E1
SW/27475	L14	SS/A40738	L6	FV50099	F4	FV50429	G8
SW/27518	L14	SS/41134	L8	FV50100	F2	FV50430	G8
SW/27545	L14	SS/41135	L9	FV50101	F5	FV50431	G8
SW/27546	L14	LU/42095	L4	FV50102	F5	FV50432	G8
SW/27668	L14, L15	SS/42225	L6	FV50107	F10	FV50433	G8
SW/27669	L15	SS/42586	L6	FV50108	F10	CB/5043A/3	L5
SW/27672	L14	SS/42588	L7	FV50109	F10	FV50434	G8
SW/27678	L14	SS/A43225	L6	FV50110	F10	FV50435	G8
SW/27683	L14	NN/X4385/1	L18	FV50111	F10	FV50436	G8
SW/27684	L14	LHD/44518	K6, K7	FV50112	F10	FV50438	G8
SW/27685	L14	VK/A44521	C1	FV50121	J1	FV50439	G8
SW/27687	L14	LHD/44522	K6	FV50129	J1	FV50449	G9
SW/27692	L14	VK/A44523	C1	FV50130	J1	FV50450	G8, G9, K4
SW/27694	L15	VK/A44536	C1	FV50152	H4	FV50452	G8
SW/27695	L15	VK/A44537	C1	FV50153	H4	FV50456	G3, G9
SW/27709	L15	VK/A44540	C1	FV50155	H3	FV50457	G9
SW/27981	L15	VK/A44704	C1	FV50165	H3	FV50458	G9
SW/27982	L14, L15	NN/X4484/1	L18	FV50166	H3	FV50476	G3
VK/A29202	C1	VK/B47389	C1	FV50168	H3	FV50487	G3
NN/X2944/1	L18	VK/A47392	C1	FV50171	H3	FV50490	G8
LHD/29725	K6	FV50000	F4	FV50182	B2	FV50533	C3
VK/B29922	C1	FV50003	F8	FV50183	B2	FV50547	F14, F15, F17
VK/A29931	C1	FV50004	F8	FV50186	B2		
VK/A29969	C1	FV50006	F5	FV50200	F1	FV50550	F5
SW/30134	L14, L15	FV50008	F5	FV50202	F1	FV50565	G4
SW/30233	L14, L15	FV50009	F5	FV50205	F1	FV50580	H3
LHD/31003	K7	FV50010	F5	FV50209	F13	FV50583	H3
OM31021	J2	FV50011	F5	FV50218	F12	FV50584	H3
FV31155	L24	FV50013	F7	FV50220	F11	FV50585	H3
SW/31305	L15	FV50014	F7	FV50224	H4	FV50586	H4
SW/31306	L15	FV50015	F7	FV50226	H2	FV50630	G7
SW/31307	L14	FV50016	F7	FV50227	H2	FV50631	G3, G7
SW/31308	L13	FV50018	F6	FV50233	A9	CB/5063/6	L12
SW/31309	L15	FV50019	F6	FV50240	G2	FV50647	F1
SW/31310	L14	FV50021	F6	FV50243	G1	FV50666	F1, F2, F4
SW/31522A	L14	FV50023	F6	FV50244	G2	FV50689	F1, F2, P3
SW/31522B	L14	FV50025	F6	FV50246	G1	FV50711	H3
SW/31522C	L14	FV50026	F6	FV50247	G1	FV50713	H3
SW/31523D	L14	FV50027	F6	FV50248	G1	FV50714	H3
SW/31523	L14	FV50029	F7	FV50249	G2	FV50718	H3
SW/31868	L14, L15	FV50030	F8	FV50251	G2	FV50719	H3
SW/31877	L14, L15	FV50035	F10	FV50252	G2	FV50720	H3
SW/31884	L15	FV50036	F9	FV50253	G2	FV50721	H3
SW/31885	L14	FV50037	F8	FV50254	G2, G3, G4	FV50722	H3
SW/31887	L14	FV50038	F9	FV50255	G4	FV50723	H3
SW/31901	L14	FV50039	F9	FV50258	G2	FV50724	H3
SW/31903	L14	FV50040	F9	FV50260	G2	FV50729	H3
SW/31904	L14	FV50041	F8	FV50267	P5	FV50730	H3
SW/31905	L14	FV50043	F9	FV50269	G1, G7	FV50743	D1
SW/32756	L14	FV50044	F8	FV50270	G1, G7	FV50762	H3
SW/33045/A	L14	FV50045	F8	FV50271	H1, H2, L21	FV50763	H4, K1
SW/33045/B	L14	FV50046	F8	FV50272	H1, H2	FV50765	F7
SW/33045/D	L14	FV50047	F9	FV50285	H1	FV50768	F7
SS/33121	L6	FV50050	F10	FV50289	H1	FV50781	C2
SS/34193/1	L8	FV50055	F9	FV50321	H1	FV50785	C2
NN/X3516/1	L18, L19	FV50057	F9	FV50324	G3	FV50815	G2
NN/X3517/1	L18	FV50060	F4	FV50325	G1	FV50816	G2
NN/X3651/1	L18, L19	FV50062	F3	FV50332	G8	FV50818	G2, G3
NN/X3672/1	L18	FV50065	F4	FV50337	B3	SX/50820	C5
NN/X3673/1	L18	FV50066	F4	FV50340	B3	FV50821	G3
NN/X3711/1	L19	FV50067	F4	FV50344	B1	FV50822	G3
CB/NS37/1521	L12	FV50068	F2, F3	FV50347	B1	FV50824	G3
CB/NS37/1921	L17	FV50070	F2, F3	FV50348	B1	FV50828	G8
FV39347	L23A	FV50073	F4	FV50349	B1, 27	FV50836	G5
FV39350	L23A	FV50074	F4	FV50350	B1	FV50837	G5
FV39351	L23A, L24	FV50076	F4	FV50361	B1	FV50838	G6

RESTRICTED
NUMERICAL INDEX TO PART NUMBERS

Part No.	Page No.	Part No.	Page No.	Part No.	Page No.	Part No.	Page No.
FV50840	G5	FV51239	C3	FV51657	F12	FV52479	K8
FV50843	G5	FV51243	C1, C2, C4	FV51660	F2, F3	FV52498	K2
FV50844	G5	FV51246	C1, C2, C4	FV51675	H3	FV52565	K3
FV50845	G5	FV51250	C2	FV51676	H3	FV52567	P15, P17
FV50847	G5	FV51251	C2	FV51686	R5	FV52685	E1
FV50850	G6	FV51257	G1	FV51699	R6	FV52687	E1
FV50851	G6	FV51262	G1	FV51701	R5	FV52688	G3
FV50852	G6	FV51262	G1	FV51715	G2, G3, R3	FV52689	P4
FV50853	G6	FV51272	P3	FV51717	R3	FV52724	G3
FV50854	G5	FV51276	C1, C2	FV51718	F2, F3	FV52736	H5
FV50869	J1	FV51277	C1, C2	FV51722	K1	SX/52760	C6
FV50871	J1	FV51281	G8	FV51735	K1	SX/52815LJ	C5
FV50876	J1	FV51284	G1	FV51736	K1, K2	SX/52858	C5
FV50880	P6	SX/51287	C5	FV51749	K1	SX/52880	C4
FV50881	P11	FV51291	G7	FV51757	K2	SX/52950	C5
SX/50893	C6	FV51296	J1	FV51758	K1	SX/53058	C4
FV50907	L31	FV51298	J2	FV51759	K1	FV53098	P13, P16
FV50927	G4	FV51313	H4	SX/51760	C5	FV53099	P13, P16
FV50944	B3	FV51214	H4	SX/51760	C4	FV53137	P13
FV50960	F14	FV51241	H8	SX/51762	C4, C6	FV53252	E1
FV50964	F14	FV51369	L28	FV51773	H2	FV53253	E1
FV50967	F1, P15, P17	FV51382	L31	FV51775	R3	FV53272	K8
FV50968	F14, P15	FV51390	E1	FV51795	H4	FV53273	K8
FV50969	P15	SX/51392	C5	FV51798	K1	FV53278	K8
FV50974	P15	FV51398	P4	FV51799	K1	FV53286	K3
FV50975	P14	FV51399	L29	FV51800	K1	FV53289	K8
FV50976	P13	FV51410	P4	FV51802	K1	VK/A53290	C1
FV50977	F14	FV51417	F2, F3	FV51805	D1	FV53297	K4
FV50978	P14, P15	FV51418	F4	FV51809	K7	FV53384	K7
FV50983	P15, P17	FV51420	C8	FV51831	K1	FV53385	K7
FV50992	J2	FV51432	H7	FV51832	K8	FV53386	K7
FV50993	J2	FV51478	J1	FV51844	R4, R6	FV53387	K7
FV51000	R7	FV51480	J1	FV51849	F10	FV53388	K7
FV51002	R7	FV51481	J1	FV51850	F10	FV53389	K7
FV51004	R7	FV51482	J1	FV51851	F9	FV53390	K3
FV51008	R7	SX/51484	C6	FV51852	F9	FV53391	K3
FV51015	R7	FV51485	J1	FV51862	F8	FV53392	K3
FV51019	K2	FV51486	F17, J1	FV51863	F2, F3	FV53393	K3
FV51054	K2	FV51487	F14	FV51865	F15, P17	FV53394	K3
FV51062	J2	FV51490	B2	FV51866	G2	FV53395	K3
FV51074	S1	FV51510	H6	FV51885	F2, F3, F4	FV53396	K3
FV51077	R6	FV51514	H6	FV51886	P12	FV53398	K3
FV51078	R6	FV51515	H6	FV51890	B1	FV53407	K7
FV51084	K7	FV51518	S1	FV51891	F13, P16	FV53408	K7
FV51086	F14	FV51520	S1	FV51892	B1, P1, P4	FV53409	K3
FV51087	R7	FV51535	C6	FV51893	B1	FV53410	K5
FV51091	R7	FV51541	J1	FV51894	P9, P10, P13	FV53411	K5
FV51092	R7	FV51556	P4			FV53412	R4
FV51094	R7	FV51559	L20	FV51954	P4	FV53424	K4
FV51104	F12	FV51560	L20	FV51956	P4	FV53431	K4
FV51105	P10	FV51566	P4	FV51972	P1	FV53435	K4
FV51106	P11	FV51568	P4	FV51977	P3	FV53452	K6
FV51108	A10	FV51569	P3	FV51987	P3	FV53480	K4
FV51109	A10	FV51580	B1	FV51987	B1	FV53501	K7
FV51112	F12	FV51584	L39	FV51989	B1	FV53506	K7
FV51118	B2	FV51584	L40	FV51991	B1	FV53520	K5
FV51124	F1	FV51598	L40	FV51994	B1	FV53522	K5
FV51126	F1	FV51603	L40	FV52015	P1	FV53524	K6
FV51127	F5	FV51605	L27	FV52058	K1	FV53525	K6
FV51129	F4	FV51607	L40	FV52059	K1	FV53526	K6
FV51144	D1	FV51608	L27	FV52060	K1	FV53529	K6
FV51147	F9	FV51616	G8	FV52063	R3	FV53530	K6
SX/51149	C6	FV51621	R1	FV52064	R3	FV53531	K6
FV51153	F15, P17	FV51622	R1	FV52162	H2	FV53533	K6
FV51156	B1	FV51623	R1	SX/52162	C4	FV53534	K6
FV51161	C8	FV51624	R1	FV52169	H1, H4, K8	FV53537	K5
FV51163	G3	FV51625	R1	FV52276	R3	FV53539	K6
FV51170	G4	FV51626	R1	FV52287	F1	FV53543	K3
FV51193	H4	FV51627	B1	FV52296	J1	FV53556	G11
FV51206	H1	FV51628	F16, P17	FV52297	J1	FV53571	P5
FV51212	F10, R3	FV51630	C6	FV52300	G4	FV53572	P5
FV51219	H1	FV51633	L39	FV52363	Z7	FV53586	K7
FV51224	K8	FV51635	G3	FV52364	Z7	FV53587	K7
FV51231	F14, P16	FV51643	L29	FV52438	L39A	FV53588	K7
FV51236	H2	FV51647	L40, P5	FV52476	K8	FV53589	K7
		FV51651	C2	FV52478	K8	FV53590	K7

NUMERICAL INDEX TO PART NUMBERS

Part No.	Page No.	Part No.	Page No.	Part No.	Page No.	Part No.	Page No.
FV53591	K7	FV55035	P8	FV55469	H5	FV55889	L27
FV53592	K6	FV55036	P8	FV55477	P1	FV55891	Z7
FV53603	K6	FV55037	P8	FV55495	P2, P3	FV55892	Z7
FV53607	K7	FV55038	P9	FV55498	P2, P3	FV55893	Z7
FV53611	G11	FV55039	P9	FV55502	P2, P3	FV55918	H2
FV53614	K4	FV55040	F10	FV55503	P2, P3	FV55986	P2
FV53615	K4	FV55046	F10	FV55504	P2, P3	FV56006	G5
FV53668	K5	FV55047	P9	FV55505	P2, P3	FV56007	F11
FV53669	K6	FV55049	P8	FV55506	C7	FV56010	P8
FV53670	K6	FV55050	P8	FV55516	H7	FV56037	P4
FV53671	K6	FV55053	P8	FV55517	H7	FV56316	D1
FV53740	P12	FV55055	F4	FV55518	B1	FV56317	D1
FV53790	L21	FV55056	F4	FV55520	H2	FV56376	G11
FV51488	P14	FV55059	F3	FV55532	B1	FV56378	G11
CB/5482/7	L21	FV55060	F3	FV55534	J1	FV56407	K3
CB/5482/7A	L21	FV55066	F2	FV55535	F14, P16	FV56408	K3
CB/5482/7B	L21	FV55069	F2	FV55536	J1	FV56412	K8
FV54902	P8	FV55072	F2	FV55540	B1	FV56413	K8
FV54903	F4	FV55077	F5	FV55542	P10	FV56414	K8
FV54905	P8	FV55085	P8	FV55546	S1	FV56415	K8
FV54906	P8	FV55087	P9	FV55548	P6	FV56418	K8
FV54910	P13, P14	FV55088	B2	FV55550	S1	FV56427	K2
FV54911	P13, P14	FV55090	B2	FV55551	S1	FV56487	K2
FV54918	G4	FV55091	B2	FV55554	P4	FV56501	K2
FV54922	G5	FV55094	B2	FV55555	P5	FV56506	K3
FV54923	G5	FV55095	B2	FV55560	P13	FV56508	K4
FV54924	G4	FV55100	P1	FV55561	G7	FV56512	K4
FV54925	G1	FV55103	P1	FV55562	G7	FV56514	K4
FV54926	G2	FV55106	P1	FV55579	G3, G4	FV56526	K2
FV54927	G2	FV55107	P12	FV55580	G3	FV56528	K2
FV54928	G2	FV55108	P12	FV55582	B2	FV56529	K4
FV54933	G7	FV55111	P12	FV55584	B2	FV56534	K4
FV54934	G8	FV55113	P12	FV55587	H2	FV56572	K5
FV54935	G1, G7	FV55118	H4	FV55591	G5	FV56578	K2
FV54938	G1	FV55119	H4	FV55592	G5	FV56580	R5
FV54939	G1	FV55120	H4	FV55594	C1	FV56590	L17
FV54940	G3	FV55121	H4	FV55599	P2	FV56592	K6
FV54941	G3	FV55124	H4	FV55601	K2	FV56597	K5
FV54942	G4	FV55126	F7	FV55604	K1	FV56599	K6
FV54943	G4	FV55134	G1	FV55606	K9	FV56600	K6
FV54946	G1	FV55157	A10	FV55607	K9	FV56603	K6
FV54955	A11, P1	FV55158	A10	FV55610	K9	FV56604	K2
FV54957	G3	FV55175	B2	FV55620	H2	FV56612	K3
FV54958	G3	FV55176	B2	FV55621	H2	FV56639	K6
FV54959	G3	FV55184	G6	FV55624	G4	FV56649	K7
FV54960	G2	FV55190	G8	FV55625	R3	FV56652	K4
FV54961	G1	FV55203	P13	FV55627	K1	FV56654	F12
FV54962	G1	FV55209	L27	FV55636	P9	FV56680	L30
FV54967	C1	FV55213	G4	FV55637	F10	FV56681	L30
FV54968	P2	FV55214	H3	FV55638	P9	FV56736	F12
FV54970	P13	FV55265	H3	FV55639	F15	FV56744	F12
FV54971	P13	FV55278	H2	FV55640	F15, P17	FV56745	F11
FV54972	P14	FV55285	P15	FV55644	P6	FV51589	P3
FV54973	P14	FV55286	P14, P16	FV55648	P11	FV51892	F13
FV55000	P10	FV55293	P12	FV55649	P3	FV58002	P5
FV55001	P10	FV55295	G2	FV55667	L31	FV58008	P6
FV55003	P10	FV55299	G1	FV55672	P1	FV58011	P6
FV55004	P5	FV55310	P6	FV55673	G1, G6	FV58014	P4
FV55007	P5	FV55311	P6	FV55698	P3	FV58024	F1
FV55010	P7	FV55312	P6	FV55707	H2	FV58025	F1
FV55014	P7	FV55327	P3	FV55718	H2	FV58028	F1
FV55015	P7, P12	FV55334	P15, P17	FV55720	H2	FV58054	G4
FV55016	P7	FV55342	P12	FV55725	H2	FV58057	G1
FV55018	P6	FV55345	P16	FV55726	K2	FV58066	B1
FV55019	P6	FV55349	P14, R7	FV55727	K1	FV58073	H5
FV55020	P6	FV55350	R7	FV55730	H2	FV58074	H5
FV55021	P6	FV55353	R7	FV55738	H2	FV58078	H5
FV55022	P6	FV55366	P13, P16	FV55741	K1	FV58079	H5
FV55025	P7	FV55367	P13, P16	FV55752	C7	FV58142	P3
FV55026	P7	FV55393	P7	FV55753	C7	FV58153	P1, P2, P3
FV55027	P7	FV55402	B3	CB/5580/1	L17	FV58163	P3
FV55028	P7	FV55404	P3	CB/5586/7	L9	FV58177	B2
FV55030	P8	FV55416	G6	FV55875	G9	FV58185	G2
FV55031	P8	FV55423	H2	FV55880	P14, P16	FV58186	G8
FV55033	P8	FV55445	H2	FV55881	P13, P14, P16	FV58189	G5
FV55034	P8	FV55453	G1			FV58190	G5

NUMERICAL INDEX TO PART NUMBERS

Part No.	Page No.	Part No.	Page No.	Part No.	Page No.	Part No.	Page No.
FV58205	P1	FV58942	K3	FV59637	K1	FV82835	F2, F3
FV58207	H5	FV58980	K2	FV59647	P4	SS/L82898	L6
FV58208	F15, F16, F17	FV58993	K3	FV59648	P4	SS/LA82930	L7
FV58210	H5	FV58995	K4	FV59649	P4	FV82935	F9
FV58211	F15, F17	FV58998	K2	FV59651	P4	FV82936	F9
FV58226	F14, F16	FV59003	F8	FV59847	K7	SS/LA82941	L7
FV58246	R7	FV59024	H4	FV59848	K5	SS/L82947	L8
FV58266	F12	FV59041	P3	FV59855	K2	SS/L82952	L8
FV58274	C8	FV59042	P3	FV59856	K2	SS/L82953	L8
FV58289	H5	FV59086	B1	FV59860	K2	FV82967	F4
FV58291	H5	FV59087	G6	FV59870	K4	FV82970	F8
FV58293	H5	FV59088	G6	FV59877	K4	SS/L83033	L8
FV58304	F14	FV59089	J1	FV59878	K4	SS/L83034	L8
FV58323	Z7	FV59090	J1	FV61721	K8	SS/L83035	L8
FV58338	P2	FV59115	B1	PL/CZ62975	L36	SS/L83108	L6
FV58340	P2	FV59129	K1, R7	PL/CZ63922	L16	SS/LA83161	L8
FV58355	G6	FV59161	P1	PL/CZ63956	L5	SS/LA83162	L7
FV58368	H5	FV59169	H4	PL/CZ63966	L36	SS/LA83170	L7
FV58369	H5	FV59171	H4	PL/CZ64165	L34	FV83262	F9
FV58381	J1	FV59174	H4	SS/L78147	L6	SS/LA83343	L7
FV58382	J1	FV59175	H5	SS/L78150	L6	SS/L84697	L8
FV58383	H6	FV59177	H5	LHD/79306	K7	SS/LA87960	L7
FV58386	H6	FV59179	H4	SM/Y80170	L25	SS/LA87963	L7
FV58396	H4	FV59198	H1	SM/P80188	L25	SS/LA87964	L7
FV58397	H4	FV59199	H1	SM/P90197	L25	SS/LA87969	L7
FV58400	P1	FV59200	H1	SM/P80205	L25	SS/LA87980	L7
FV58402	C8	FV59215	H1	SM/Y80270	L25	SS/L87981	L7
FV58407	S1	FV59232	B2	SM/SK80271	L25	SS/L89168	L8
FV58408	S1	FV59234	E1	SM/Y80610	L27	SM/S97260	C3
FV58412	C2	FV59255	F4	FV80811	F14	FV9865-1	G4, G5
FV58414	C2	FV59256	F5	SS/LA81138	L6	FV9865-2	G4, G5
FV58422	L40	FV59257	F6	SS/LA81146	L6	FV9865-3	G4, G5
FV58424	C1	FV59272	H2	SS/LA81147	L6	FV9875-1	G4
FV58432	P3	FV59286	H4	SS/LA81150	L6	FV9875-2	G4
FV58449	K9	FV59291	H4	SS/L81151	L6	FV9875-3	G4
FV58451	K1	FV59292	S1	SS/L81152	L6	FV9906/7	F15, F16, F17
FV58456	K9	FV59293	S1	SS/L81153	L7	FV9916-1	F14
FV58460	R6	FV59318	H5	SS/L81154	L6	FV9916-2	F14
FV58467	R4	FV59321	K1, H3	SS/L81155	L6	FV9916-4	F14
FV58471	F10	FV59324	K2, H4	SS/L81156	L6	FV9916-6	F14
FV58483	F7	FV59346	P2	SS/LA81179	L7	OB14957	F17
FV58489	F3	FV59347	F13, G11	SS/L81201	L8	OB14958	F17
FV58497	C2	FV59348	F13, G11	SS/L81202	L8	SS/101113	L7
FV58498	C2	FV59349	F15, G12	SS/L81203	L7	TF/101961-M	L29
FV58506	F3	FV59350	F16, G13	SS/L81206	L7	FV107619	L23A
FV58530	F10	FV59353	B2	SS/L81207	L7	SS/108604	L6
FV58544	P2	FV59355	F9	SS/L81208	L7	SS/116302	L6
FV58580	G5	FV59361	P2	SS/L81209	L7	AC/120217	L3
FV58581	G5	FV59388	K1	SS/L81210	L7	AC/120614	L3
FV58583	H2	FV59389	P2	SS/L81211	L8	LJ/120930	L31
FV58584	H2	FV59394	F3	SS/L81214	L7	AC/121637	L3
FV58585	H2	FV59402	D1	SS/L81219	L7	FV125038	R2
FV58620	R4	FV59417	K1	SS/L81221	L7	FV125043	R2
FV58643	P2	FV59420	K1	SS/LA81227	L6	FV125967	R1
FV58648	F16	FV59431	K1	SS/L81303	L6	FV131069	L23A
FV58649	F15	FV59458	H6	SS/L81316	L6	FV131143	L23A
FV58662	L40	FV59468	C1	SS/L81593	L6	FV131171	L34
FV58663	L40	FV59481	C1	SS/L81594	L6	FV133030	L9, L27
CB/5868/2	L5, L19	FV59501	H6	SS/L81595	K6	LJ/BQ/1341/45	L31
FV58691	B2	FV59512	Z7	LHD/81672	L9	FV141167	A8
FV58694	B3	FV59516	Z7	SS/L81992	L9	FV141175	A8
CB/5870/3	L22	FV59534	H1	SS/L82001	L8	FV141176	A8
FV58716	P3	FV59579	H2	SS/L82530	L8	FV141187	A8
CB/5872/2	L23A	FV59596	K1	SS/L82531	L8	FV141190	A8
CB/5872/3	L24	FV59605	K1	FV82751	F4	FV141191	A8
CB/5872/6	L23A	FV59606	K1	FV82768	F9	FV141192	A4
FV58729	G4	FV59612	E1	FV82775	F9	FV141194	A4
FV58758	F14, F15	FV59628	H3	FV82803	F10, K2	FV141195	A4
FV58774	J2	FV59629	H3	FV82816	F9	FV141196	A8
CB/5877/8A	L9	FV59630	H3	FV82817	F9	FV141202	B4
CB/5885/B	L27	FV59631	H3	FV82818	F2, F3	FV141205	A8
FV58882	D1	FV59632	H3	FV82826	F2, F3	FV141227	A4
FV58922	E1	FV59633	H2	FV82832	F2, F3	FV141229	A3
FV58929	E1	FV59634	H2	FV82833	F2, F3	FV141230	A2
		FV59635	K8	FV82834			
		FV59636					

NUMERICAL INDEX TO PART NUMBERS

Part No.	Page No.	Part No.	Page No.	Part No.	Page No.	Part No.	Page No.
FV141235	A8	FV141653	B3	FV142308	B3	FV144221	A3
FV141236	A3	FV141661	B4	FV142323	A2, A6	FV144282	L5
FV141238	A11	FV141663	B4	FV142437	A4	FV144309	C6
FV141241	L16	FV141676	A2	FV142438	A4	FV144423	A9
FV141258	A8	FV141691	A7	FV142462	A9	LI/144454	L1
FV141260	A4	FV141694	C7	FV142560	C6	FV144469	A9
FV141261	A4	FV141698	L16	FV142633	A6	FV144470	A9
FV141262	A11	FV141699	L16	FV142634	A2	FV144487	A2
FV141266	A2	FV141709	A5	FV142635	A6	FV144490	A1, A2
FV141268	A2	FV141723	L16	FV142636	A6	FV144503	B4, L12, L15
FV141274	A3	FV141728	A5	FV142637	A6		
FV141279	A7	FV141729	A5	FV142638	A6	FV144557	A9
FV141315	A9	FV141730	A5	FV142644	A7	FV144562	B3
FV141322	A8	FV141739	A7	FV142645	A7	FV144569	A9
FV141324	A5, A8	FV141741	A8	FV142647	A6	FV144573	B3
FV141325	A8	FV141752	A7	FV142749	A6	FV144574	B3
FV141326	A8	FV141757	L16	FV142752	A6	FV144575	B3
FV141327	A8	FV141762	L16	FV142754	A2	FV144576	B3
FV141333	A3	FV141781	A6	FV142755	C4	FV144576	B3
FV141345	A3	FV141783	A8	FV142775	F1	FV144581	A4
FV141349	B5	FV141785	A8, L4	FV142777	A6	FV144581	B3
FV141356	A8	FV141786	A6	FV142791	C4	FV144593	A11, B3
FV141357	A7	FV141794	E2	FV142792	C4	FV144604	B3
FV141358	A9	FV141798	L6	FV142801	A5	FV144645	A3
FV141360	A3	FV141800	A11	FV142802	C7	FV144766	A2
FV141371	A6	FV141825	A8	FV142804	C6	FV145063	A5
FV141373	A6	FV141867	L5	FV142806	C7	FV145211	L16
FV141380	A6	FV141885	A4	FV142808	C6	FV145212	L16
FV141409	B4	FV141886	A4	FV142816	L11	FV145213	L16
FV141410	B4	FV141889	B4	FV142914	A8	FV145214	L16
FV141412	A3	FV141891	B4	FV142925	C6, L4	FV145239	L16
FV141413	A3	FV141892	B4	FV142926	C6, L4	FV145304	L16
FV141414	A4	FV141895	A4	FV142963	L12	FV145352	A9
FV141425	A1	FV141896	A4	FV142978	A5	FV145353	A3
FV141449	A5	FV141897	A4	FV142979	A5	FV145357	A3
FV141458	A3	FV141898	A4	FV142980	A5	FV145361	A3
FV141462	A5	FV141899	A4	FV142981	A5	FV145365	A3
FV141473	A8	FV141901	A4	FV142983	A5	FV145373	A8
FV141474	A6	FV141902	A4	FV142987	A5	FV145584	A9
FV141476	A9	FV141907	A9	FV142989	A5	FV145585	A9
FV141483	A4	FV141921	L11	FV142993	A5	FV145683	A7
FV141484	A5	FV141924	A3	FV142995	A5	FV145842	L16
FV141485	A1	FV141927	A8	FV142998	A2	FV145844	L15, L16
FV141514	A11	FV141930	A2	FV143003	A6	FV146825	A1
FV141517	A11, L5	FV141937	A2, A6	FV143005	A6	FV146938	A8
FV141525	A11, L4A	FV141940	A3	FV143013	A6	FV147354	B3
FV141535	A11, L1	FV141941	A3	FV143016	A2	FV147406	A4
FV141540	A11, L2	FV141941	A3	FV143018	A5	FV147699	A8
FV141544	A11	FV141946	A9	FV143026	L16	FV147763	A4
FV141563	A6	FV141952	C3	FV143029	L16	FV147831	A4
FV141565	A3	FV141968	A3	FV143039	A6	FV147835	A4
FV141568	A8	FV141980	A2	FV143040	A6	FV147841	A7
FV141569	A8	FV141982	A1	FV143053	A5	FV148047	A3
FV141573	A8	FV141983	A3	FV143066	A3	FV148120	A5
FV141577	A1	FV141984	B4	FV143067	A3	FV148229	A4
FV141578	A1	FV141991	A8	FV143100	A5	FV148233	A2
FV141581	A3	FV142001	A9	FV143101	A5	FV148235	L16
FV141582	A2	FV142024	C6	FV143148	C6	FV148236	L15
FV141585	A3	FV142025	A10	FV143240	L15	FV148283	A7
FV141587	A3	FV142027	A10	FV143320	A1	FV148284	A7
FV141588	A1	FV142032	L16	FV143321	A3	FV148712	A1, A4
FV141590	A3	FV142050	L4A	FV143326	A10, C3	FV148713	A4
FV141591	A3	FV142069	L4A	FV143355	A7	FV148714	A4
FV141595	A3	FV142070	L4A	FV143551	A5	FV148715	A1, A4
FV141596	A3	FV142105	A1	FV143627	A5	FV148716	A4
FV141598	A11	FV142117	A1	FV143628	A5	FV148717	A4
FV141609	B4	FV142147	B3	FV143630	A5	FV157200	C7
FV141612	A2	FV142148	B3	FV143724	A7	FV157202	C7
FV141613	A3	FV142155	A6	FV143780	A3	FV157204	C7
FV141615	A1	FV142157	A6	FV144041	A5	FV157206	C7
FV141616	A2	FV142177	B2	FV144042	A5	FV157210	C7
FV141621	A1	FV142184	B4	FV144087	A7	FV157235	C7
FV141637	A5	FV142210	E2	FV144112	A7	FV157236	C7
FV141638	A5	FV142240	L15	FV144113	A7	FV157577	A10, C7
FV141646	A8	FV142241	L16	FV144186	C4	FV157930	L23A

NUMERICAL INDEX TO PART NUMBERS :

Part No.	Page No.	Part No.	Page No.	Part No.	Page No.	Part No.	Page No.
FV157940	L11	FV275475	R2	FV419137	L4, L5	FV50979/3	J1
FV157942	L31	FL/2C283291	L34	419265	L1	FV50979/4	J2
FV157943	L27	FL/2C283304	L34	419301	L1	FV50979/5	J2
FV157949	L31	FV285320	R1	419521	L4	FV50979/6	J2
FV157950	L25	FV285321	R1	419565	L1	FV50979/7	J2
FV157959	L29	FV285322	R1	420295	L4	510225	L31
FV157965	L31	FV285323	R1	420296	L4	510295	L31
FV157970	L31	FV293635	R2	420299	L4	SX/51274/1	C4
FV158044	Q1	FV293639	R2	420396	L4	SX/51395/8	C6
FV158750	L28	FV293640	R1	420397	L4	FV51392/1	F5
FV159941	L40	FV293642	R1	420398	L4	FV51561-1	F7
FV159942	L40	RP/3000H11C	L20	420398	L4	FV51561-2	F7
FV159943	L39A	GO/R3068P90	L33	420443	L4	FV51561-3	F7
FV159945	L40	FV313201	R1	420452	L1	FV51562-1	F5
FV159979	L34	FV313206	R1	420573	L2, L3	FV51562-2	F5
FV160299	R1	FV313208	R2	FV420859	R2	FV51562-3	F5
FV160393	R7	FV313209	R1	FV420865	R2	FV51563-1	F5
FV160512	F5	FV313220	R1	FV421229	F5	FV51563-1	F5
FV160513	F7	FV314232	R1	422335	L1	FV51563-1	F5
FV160516	Q4	FV314634	Q4	422660	L2	FV51563-2	F5
FV160565	F2	FV314635	F13	445721	L30	FV51563-3	F5
FV160720	R3	FV314636	F13	445991	L4	FV51564-1	F7
FV160980	R1	FV314637	F16	445998	L4	FV51564-2	F7
FV169423	L39A, L40	FV314637	F16	SM/TR4501-00	L25	FV51564-3	F7
FV169424	L39A, L40	316085	L27	FV450346	A1	FV51609/2	G9
	U3	FV326348	R2	FV451102	A5, A8	FV51695/1	R3
FV169426	L40	FV333291	R2	FV452979	A1	FV51695/2	R3
FV169429	L39A	FV336613	R2	FV452997	A1	FV51695/3	R3
FV175698	Z5, Z6	FV336978	R1	FV466884	R2	FV51695/4	R3
FV175700	Z6	FV337093	R1	FV481523	L21	FV517937	L29
FV175702	Z6	FV337096	R1	FV481535	L21	SX/51904/L1	C5
FV175704	Z6	FV337672	R2	FV481557	L20	5330/78	L10
FV175866	L12	FV337673	R1	FV483556	L20	5332/47	L22
FV175871	L16	SS/33965/1	L6	FV491949	L21	5331/48	L24
FV175878	L4	SS/340068	R2	FV494501	L27	5333/94E	L10
180370	L31	SS/34039/1	L7	FV494505	L20	5335/910	K21, L22
FV182431	C1	FV342510	A11, L6	FV494519	L27	5339/935	L13
FV182432	C1	FV342511	A11, L9	FV494546	U1	FV534885	L20
FV182433	C1	FV342512	L4	FV494851	B1	FV541094	F11
FV182434	C1	SS/34786/1	L7	496002	L1	FV541263	K5
FV182437	C1	FV350131	R4	FV496970	R2	FV541264	K4
FV182438	C1	FV350132	R4, R5	FV496971	R2	FV541283	K4
FV182441	C1	FV350138	R4, R5	FV50020-1	F6	FV541286	F3
185015	L4	FV350139	R2	FV50020-2	F6	FV541293	K5
186874	L1	FV351225	L29	FV50204/1	F1	FV541307	K3
187003	L23	FV363144	L29	FV50204/2	F1	FV541315	F11
187006	C3	FV363145	L29	FV50204/3	F1	FV541316	F11
187083	L40	FV367042	F5	FV50217/1	F12	FV541317	F12
SW/19874/1	L15	FV381285	U1	FV50217/2	F12	FV541329	K3
NN/203490	L19	FV381711	L8	FV50217/3	F12	FV541335	K5
NN/203491	L19	SS/401105CP	A10	FV50219/1	F12	FV541339	R7
NN/203505	L10	SX/40NNIP/S1682	L7	FV50219/2	F12	FV541342	L30
NN/203666I	L19	404435	L1	FV50219/3	F12	FV541343	L30
NN/203667I	L19	FV405459	A1	FV50221/1	F11	FV541374	D1
NN/204283I	L19	FV410089	L27	FV50221/2	F11	FV541375	D1
FV221755	K8	FV410091	L27	FV50221/3	F12	FV541376	D1
FV221756	K8	FV410098	L27	FV50222/1	F12	FV541618	L21
FV229532	U3	FV410146	L27	FV50222/2	F12	FV542058	K2, R3
FV229533	U3	FV410186	L22	FV50222/3	F12	FV542059	K2, R7
FV229537	L30	SX/4120/10	C4, C6	FV50256-1	G2	FV542093	F11
FV229540	L22	416229	L1	FV50256-2	G2	FV542124	H5
FV229541	L22	417803	L1	FV50256-3	G2	FV542125	H5
FV232094	L33	417880	L1	FV50256/9	Q4	FV542126	H5
FV236114	L34	417885	L2	SX/50496L1	C5	FV542127	H5
FV253087	R1	417886	L2	SX/50893/1	C5	FV542128	H5
NN/253568	L19	417887	L2	FV50965-1	F15, F17	FV542129	H5
FV260408	R1	417887	L1	FV50965-2	F15, F17	FV542130	H5
FV260907	L29	417896	L1	FV50965-3	F15, F17	FV542131	H5
FV260916	L21	417898	L1	FV50965-4	F15, F17	545025	L32
FV260950	L30	417902	L1	FV50966-1	F15, F17	Z/5482/61	L5, L22
KS/F261/262	C7	417913	L1	FV50966-2	F15, F17	5482/61A	L22
FV269873	L29	417931	L1	FV50971-1	F13, F16	FV55006-1	F5
FV272217	R1	417936	L1	FV50971-2	F13, F16	FV55006-2	F5
FV275456	R1	417937	L1	FV50971-3	F13, F16	FV55006-3	F5
FV275466	R1	417939	L1	FV50979/1	J1	FV55006-4	F5
		417941	L1	FV50979/2	J1	FV55009-1	F5
		417952	L2				

NUMERICAL INDEX TO PART NUMBERS

Part No.	Page No.	Part No.	Page No.	Part No.	Page No.	Part No.	Page No.
FV55009/2	F5	573089	L30	5877/17A	L9	FV665130	R6
FV55009/3	F5	573285	L30	5877/19	L11	FV665133	R6
FV55009/4	F5	574189	L30	5877/21	L9	FV665136	R6
FV55012-1	F7	574190	L30	5877/26	L11	FV665138	R5
FV55012-2	F7	576204	L29	5877/43	L9	FV665140	R5
FV55012-3	F7	576205	L30	5877/46	L9	FV665141	R5
FV55012-4	F7	576986	L30	5877/54C	L10	FV665142	R5
FV55174-1	E2	577588	L30	5877/68	L10	FV665143	R5
FV55174-2	E1	Y/5808/42	L22	5877/70	L9	FV665144	R5
FV55174-3	E2	FV585015	L20	5877/77	L9	FV665145	R5
551968	L31	FV585048	U2	5885/10	L27	FV665146	R5
552103	L30	FV585051	U2	5885/17	L28	FV665147	R5
FV55288/1	F4,F12, G16	FV585052	U2	5899/10	L13	FV665148	R6
FV55288/2	F4,F12, F16	FV585053	U3	5899/14	L12	FB665151	R6
FV55288/3	F14,F12, F16	FV585054	L37,U3	5899/47	L13	FV665153	H6
553282	L31	FV585081	U2	5899/49	L13	FV665154	R6
553283	L31	FV585082	U2	5899/50	L13	FV665160	R5
553287	L31	FV585084	U2	5899/51	L15	PV665164	R5
553289	L31	FV585085	U3	5899/58	L15	FV665165	R5
553297	L31	5868/11	L5	5899A/59	L13	FV665167	R5
554401	L31	W5865/12A	L5	5899A/60	L15	FV665168	R5
5549A/36	L9	5868 /15	L5,L18, L23	5899/61	L13	FV665170	R5
5549/38	L9	5868/24	L5	5899/62	L15	FV665175	R5
5549/95	L10	5869/13	L5	5899/63	L15	FV665177	R5
5549/96	L10	5869/23	L22	5899/64	L15	FV668513	C6
5549/97	L9	5869/21	L22	5899/68	L13	FV668515	A3
5549/98	L9	5870/21	L22	5899/70	L13	FV668533	A1,A4
5551A/38	L17	5870/12	L22	5899/73	L13	FV668534	A4
5555/18	L10	5870/13	L22	5899/76	L13	FV668535	A4
5555/30	L10	5870/15	L22	5899/98	L13	FV668541	A1
5555/32	L10	5870A/17	L22	5899/99	L13	FV668542	A4
5555/34	L10	5870/17A	L22	5900/43	L22	FV668543	A4
5555A/35	L10	5870A/20	L22	5900/58	L21	FV668544	A4
5555/36	L10	5870/23	L22	5911/13	L16	FV669056	B4
5555/39	L10	5870A/25	L22	5911A/21A	L17	FV670506	A7
5555/40	L10	5870/27	L21	5911/25	L17	FV679738	R1
5555/41	L10	5870/29	L22	5911/26	L18	FV679739	R1
5555/49N	L10	5870/32	L21	5911/34	L16	FV679742	R1
555910	L29,L30	5870/33	L21	5911/37	L18	FV678350	H2
FV55594/1	C1	5870/35	L21	5911/38	L20	SS/L70785/1	L8
5567 /27	L28	5870/38	L22	5911/39	L18	SS/L70968/1	L8
5567/310	L28	5870/39	L22	5911/52	L18	SS/L73182/1	L9
5567/43	L28	5870/48	L22	5911/53	L18	SS/L73185/1	L9
5567/71A	L29	5870/49	L23	5911/95	L18	FV745826	Z1,Z2,Z5
5567/89	L21,L28	5870/53	L21	5911/96	L18	FV750979	F13,F16
5567/92A	L29	5872/11	L23A	5911/99	L18	FV750985	F14,F16
5586/10B	L9	5872/12	L23A	FV597601	U1	FV759447	H7
5587/51	L12	5872/19	L24	FV597602	U1	FV768682	F15,F17
561706	L31	5876/10	L12	FV597624	U1	SS/L78148/1	L6
561707	L31	5876/11	L11	FV597631	U1	SS/LA78151/1	L6
561708	L30	5876/11A	L12	FV597969	U1	FV783877	Z4,Z5
561709	L30	5876/32	L12	FV597981	U1	FV783878	Z4,Z5
561710	L30	5876/33	L12	FV598000	U3	FV797825	Z/,Z4
561712	L30	5876/34	L12	6005/10	L16	FV797828	Z3,Z4
561716	L30	5876/39	L12	FV604050	U1	FV797848	Z3,Z4
561729	L31	5876/44	L12	6068/13	L10	FV797857	Z3,Z4
FV562091	L20	5876/45	L11	FV612066	L37,U2, U3	FV797863	Z3,Z4
562152	L31	5876B/46	L9	FV622690	U1	FV797890	Z3,Z4
5632/22	L10	5876B/46B	L12,L16	FV611691	U2	SM/P80296/1	L27
FV564840	U2	5876/46A	L20	FV646476	B1	SS/L80354/1	L6
FV564841	U2	5876/47	L12	FV665081	R5	805046	Z7
FV564842	U3	5876/48	L12	FV665082	R5	805259	Z7
5698/24	L17	5876/50	L12	FV665099	R6	805260	Z7
572727	L29	5876/52	L10,L20 L24	FV665102	R5	805919	Z7
573042	L30,L31	5876/54	L11	FV665103	R5	806112	L35
573049	L30	5876/56	L11	FV665107	R5	FV808011	F16
573052	L30	5876/57	L11	FV665111	R5	FV808606	F13
573053	L30	5876/60	L11	FV665112	R5	FV808607	F13
573055	L30	5876/63	L11	FV665115	R6	FV808608	F16
573056	L30	5876/65	L12	FV665119	R6	FV808609	F16
573072	L30	5876/69	L11	FV665120	R6	809005	L28
573074	L30	5876/84	L12	FV665121	R6	809016	L28
		5876/86	L11	FV665122	R6	AC/811124	L2
		5877/13	L11	FV665129	R6	AC/811912	L3
						815181	L39A,L40

NUMERICAL INDEX TO PART NUMBERS

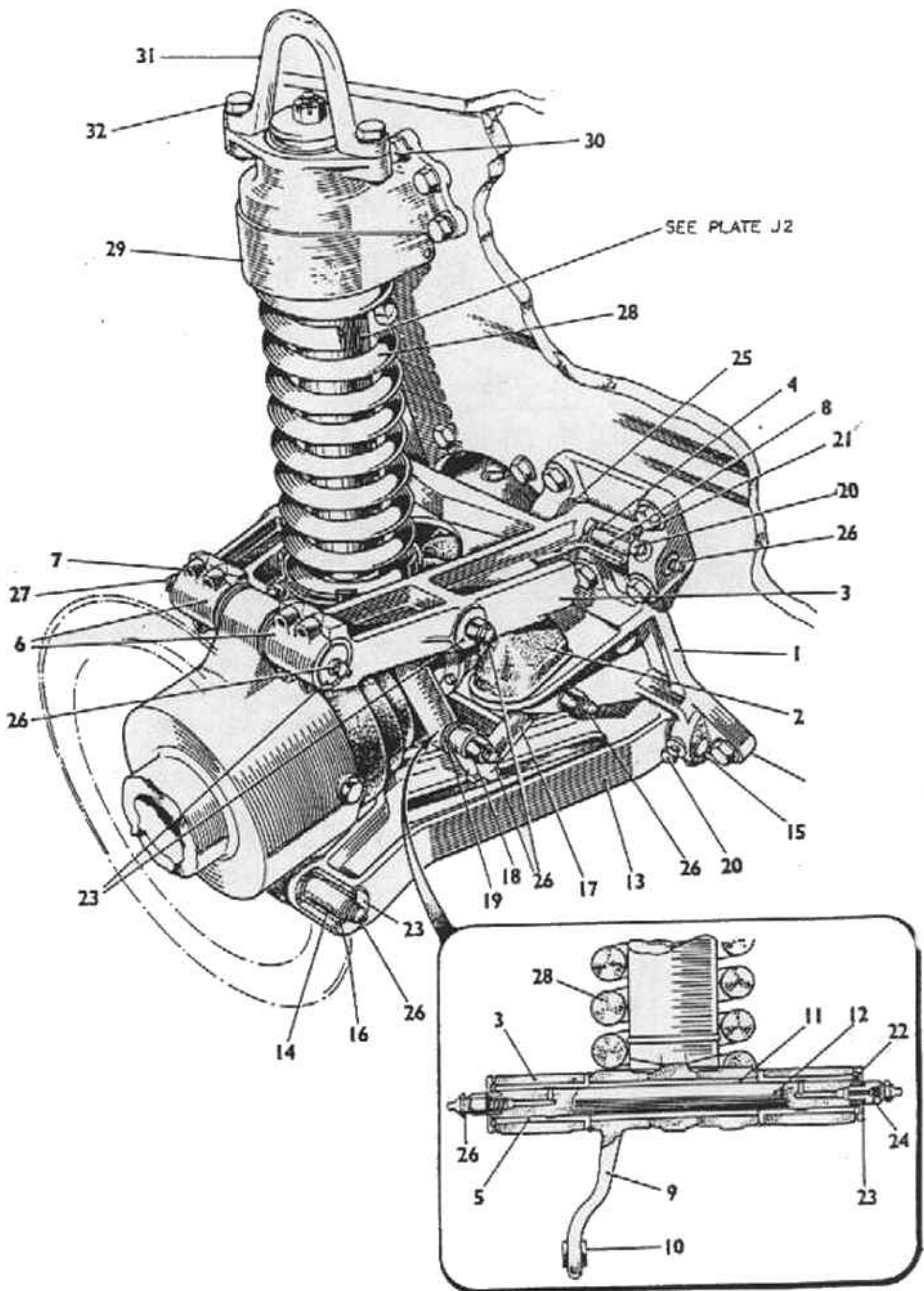
Part No.	Page No.	Part No.	Page No.	Part No.	Page No.	Part No.	Page No.
816784	L3	AMP/180373-3	L21	5586/131	L10	FV943775/2	Z1, Z4
AC/817363	L3	1858576	L2	5586/160	L9	FV159925/14	U1
AC/818222	L2	AC/1871865	L3	5586/207A	L9	FV166001/50	L38
AC/819639	L3	AC/1910201	L2	5586/344B	L9	FV166001/51	L37
FV819945	C3	NN/203233/1	L19	FV563828/1	L39A	FV166001/52	L35
FV820110	C3	NN/203234/1	L19	FV563834/5	Z1, Z2, Z3	FV166043/11	L39
AC/825515	L2	FV246327/4	L40	5658/114C	L24	FV166129/19	L32
FV857451	C3	FV246327/8	U3	5658/183	L23, L24	FV166129/20	L32
FV857453	C3	FV246328/4	L40	5658/184	L24	FV167997/30	Z1, Z2, Z4
FV857454	C3	FV246328/8	U3	5658/187	L24	FV175700/27	L35, L37
FV857455	C3	FV324051/1	L36	5658/232	L9	FV175700/51	L37
FV857460	H7	FV324219/1	L35	5658/232A	L9	FV175700/54	L37
FV857461	P2	SX/40NN1P/S1682	C4	5658/235	L17	FV175700/96	L37
FV857466	H7	FV426551/6	U1	FV582638/1	L37	FV175702/50	Z6
859856	U2	FV483563/1	L20	5870/121	L22	FV175702/58	Z6
860362	L24, L34	FV483563/2	L21	5870/135	L21	SM/30-781-505	L26
860624	L31	SX/52043/L12	C6	5870/135A	L21	SM/31-361-323	L25
860782	L33	5330/289	L10	5870/149	L21	SM/31-361-324	L26
860783	L33	5333/131	L28	5899/100	L13	SM/31-362-655	L26
860864	C3	Z/5333A/141A	L9, L11	5911/115	L16	SM/31-513-134	L25
861122	L33, L35 L39A	5333/150B	L18	5911/116	L17	SM/31-513-136	L26
		5333/153	L12	5911/130	L18	SM/31-613-758	L27
862117	L39A, L40	5333/155	L13	5911/138	L18	SM/31-753-714	L26
SM/FE8700-01	L25	5334/186	L10	5911/139	L18	SM/31-753-716	L26
FV886883	Z4	5334/196	L12	5911/140	L18	SM/31-755-502	L26
FV886884	Z4	Z5334/201	L5	FV605582/1T	U3	SM/31-763-707	L26
FV900951	C3	5335/150	L17	FV605582/2T	U3	SM/31-764-406	L26
FV900952	C3	5335/214	L29	FV605583/3	U2	SM/31-764-702	L26
AC/908758	L2	5335/224	L28	FV605584/2	U2	SM/31-781-118	L6
946002	L38	5335/228	L28	FV605586/1N	U2	SM/31-781-508	L26
946012	L38	5335/574	L13	AC/7221165	L3	SM/31-786-126	L26
949215	L28	5335/574A	L15	AC/7221178	L2	SM/40-356-101	L26
949218	Z7	5335/583	L18	AC/7221181	L3	SX/50794/4/55	C5
PL/Z970059	L36	5335/584	L17	AC/7221190	L3	SX/51274/L1/95	C5
PL/Z970060	L34	5339/191	L10	AC/7221192	L3	SX/51612/190	C5
11-221-24V	L23	5339/281	L11	AC/7221193	L3	SX/52823/180	C5
SS/126062/1	L6	5339/303	L11	AC/7221196	L2	54190547	L37, L39A
NN/152228/1	L18	5339A/312	L11	AC/7221197	L2	54931752	L29, L30
AC/1571548	B1	5339/316	L9	AC/7221198	L2	54940450	L37, L40, L48
FV157945/2	U1	5339/373	L10	AC/7221218	L3		
FV166009/3	L36	5339/373A	L10	AC/7221220	L2	5899/108	L13
FV166013/1	L39	5339/373B	L10	AC/7221221	L3	FV745731/68	Z1, Z4
FV166017/1	L38	5339/373C	L10	AC/7221222	L3	FV745757/31	Z1, Z2, Z3
FV166029/2	L39	5339/736A	L24, L28	AC/7221223	L2	FV745811/82	Z1, Z4
FV160061/1	L37	5339/851	L5	AC/7221235	L2	FV745811/83	Z1, Z4
FV166094/1	L38	5339/856	L22	AC/7221263	L3	FV745811/86	Z2, Z5
FV166095/1	L38	5339/863	L23	AC/7221267	L1, L2, L3	FV745811/87	Z1, Z2, Z5
FV166095/2	L38	5339/864	L24	7221268	L1, L2	FV745817/21	Z1, Z2, Z5
FV166095/3	L39	5339/867	L12	AC/7221269	L1, L2, L3	FV745829/29	Z1, Z2, Z4
FV166097/1	L35	5339/870	L12	AC/7221279	L2	FV745829/30	Z1, Z2, Z5
FV166124/1	L37	5339/885	L9	AC/7221298	L3	FV745829/39	Z1, Z2, Z5
FV166192/2	L36	5339/888	L9	AC/7221305	L3	FV745837/33	Z1, Z4
FV166217/1	L37	5339/926	L24	AC/7221306	L2	FV745837/34	Z1, Z2, Z5
FV166341/4	L33	5482/161	L21	AC/7221312	L3	SM/Y76301/132	L27
FV166342/4	L33	5482/166	L21	AC/7221316	L3	SM/SK76314/132	L27
FV166343/4	L33	5482/177	L21	AC/7221355	L3	FV857459/14	C3
FV166344/6	L33	5482/229	L21	AC/7221357	L2	TH/D10-36675-18	L20
FV166345/4	L33	5549/100	L11	AC/7221359	L3	FV166001/300	L36
FV166434/2	L34	5549/125	L10	AC/7221362	L3	FV166001/301	L36
FV166467/1	L35	5549/235B	L10	AC/7221378	L3	FV166001/302	L36
FV166662/2	L34	5549/306J	L11	FV745826/5	Z2, Z5	FV166001/409	L37
FV166669/2	L34	5549/610	L10	FV745829/1	Z1, Z2, Z3	FV166001/444	L39A
FV166705/2	L34	5551/163J	L17	SM/X76290/12	L27	FV175700/113	U2
FV166705/3	L34	5555/286	L10	SM/Y76300/80	L27	FV175700/114	U2
FV166727/3	Z1, Z2, Z4	5555/288	L10	SM/SK76312/60	L27	FV175700/632	L35
FV166892/2	L32	5567/233D	L28	AC/7951168	L4	FV175700/650	L37, L38
FV167120/1	L36	5567/237	L28	AC/7951188	L2	FV175702/639	Z6
FV167143/1	L35	5567/238	L28	AC/7951189	L2	FV175702/640	Z6
FV167143/2	L35	5567/258B	L29	AC/7951979	L3	FV175702/665	Z6
FV175700/3	L38	5567/273	L28	AC/7952090	L2	FV175702/702	Z6
FV175700/4	L37, L39, U3	5567/284F	L29	FV943756/4	Z1, Z2, Z5	FV175702/756	Z6
		5586/111	L9	FV943760/7	Z1, Z2, Z4	FV175702/759	Z6
FV175700/7	L37	5586/113	L10	FV943774/1	Z1, Z2, Z4	FV175702/792	Z6
AMP/180373-2	L20, L21	5586/123C	L9	FV943775/1	Z1, Z2, Z4	FV175702/793	Z6

NUMERICAL INDEX TO PART NUMBERS

Part No.	Page No.	Part No.	Page No.	Part No.	Page No.	Part No.	Page No.
FV175702/798	Z6						
FV175702/815	Z6						
FV175702/819	Z6						
FV175703/633	Z6						
FV175704/510	Z6						
FV175704/542	Z6						
FV175704/596	Z6						
FV175704/671	Z6						
FV175704/681	Z6						
FV175704/681	Z6						
FV175704/687	Z6						
FV175704/690	Z6						
FV175705/789	Z6						
FV175705/790	Z6						
FV175705/791	Z6						
FV175705/815	Z6						
FV175705/821	Z6						
FV175705/874	Z7						
SX/50552/6/130	C5						
SX/51274/1/120	C5						
SX/51274/1/150	C5						
FV745757/131	Z1, Z3, Z4						
FV745757/133	Z1, Z2						
FV745757/134	Z1, Z2, Z3						
FV745757/135	Z1, Z2, Z3						
SM/30-781-223-60	L26						
SM/30-781-285-60	L25						
SM/30-867-313-25	L25						
31GB-0555-6-314	Z3, Z4, Z5						
31GB-0654-6-314	Z3, Z4, Z5						
SM/31-136-104-01	L27						
SM/31-164-112-01	L26						
SM/41-130-102-00	L26						
SM/41-130-502-00	L26						
SM/41-630-601-01	L26						
SM/41-718-201-00	L26						
SM/41-761-123-00	L25						

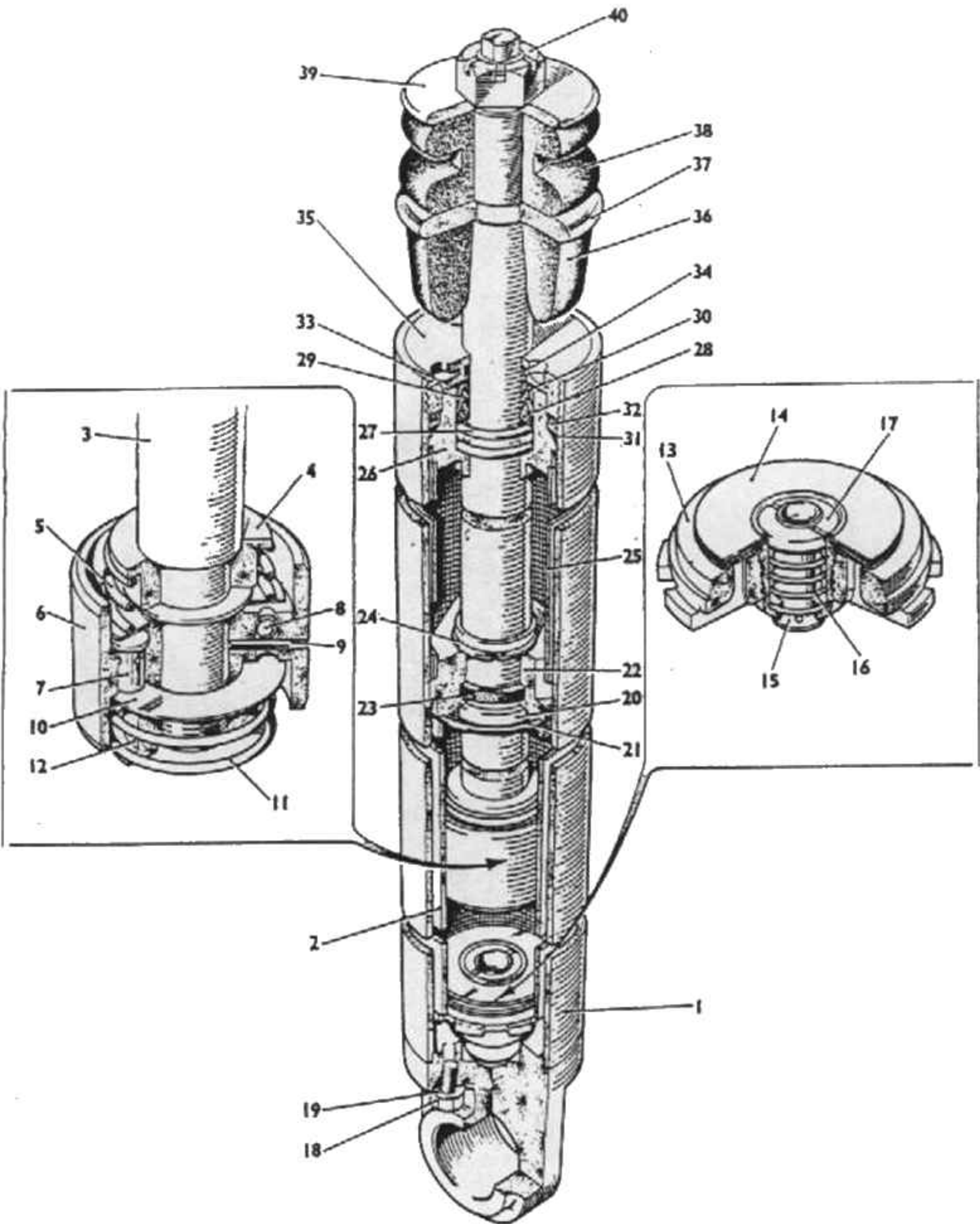
SUSPENSION UNIT

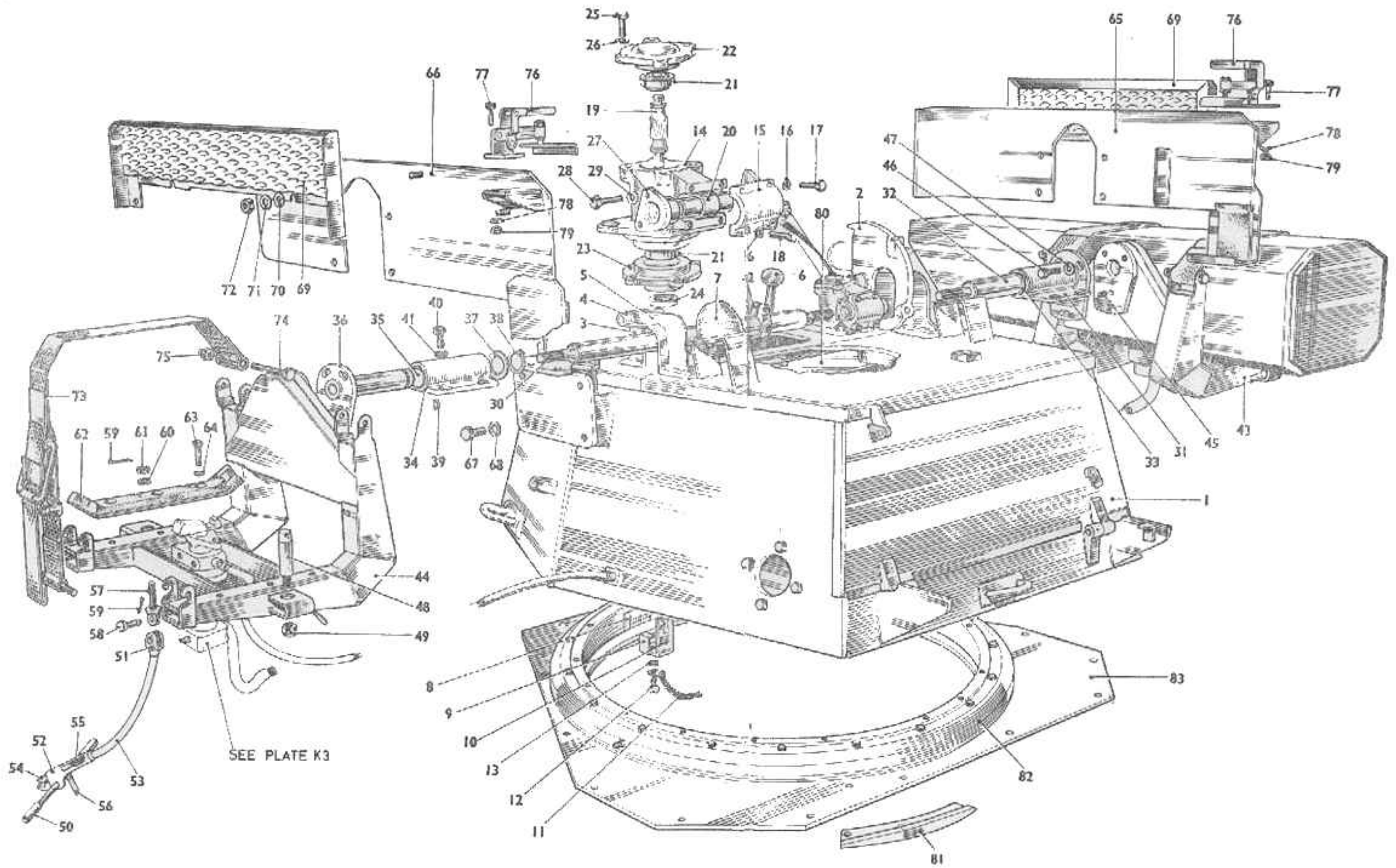
J1



SHOCK ABSORBER

J2

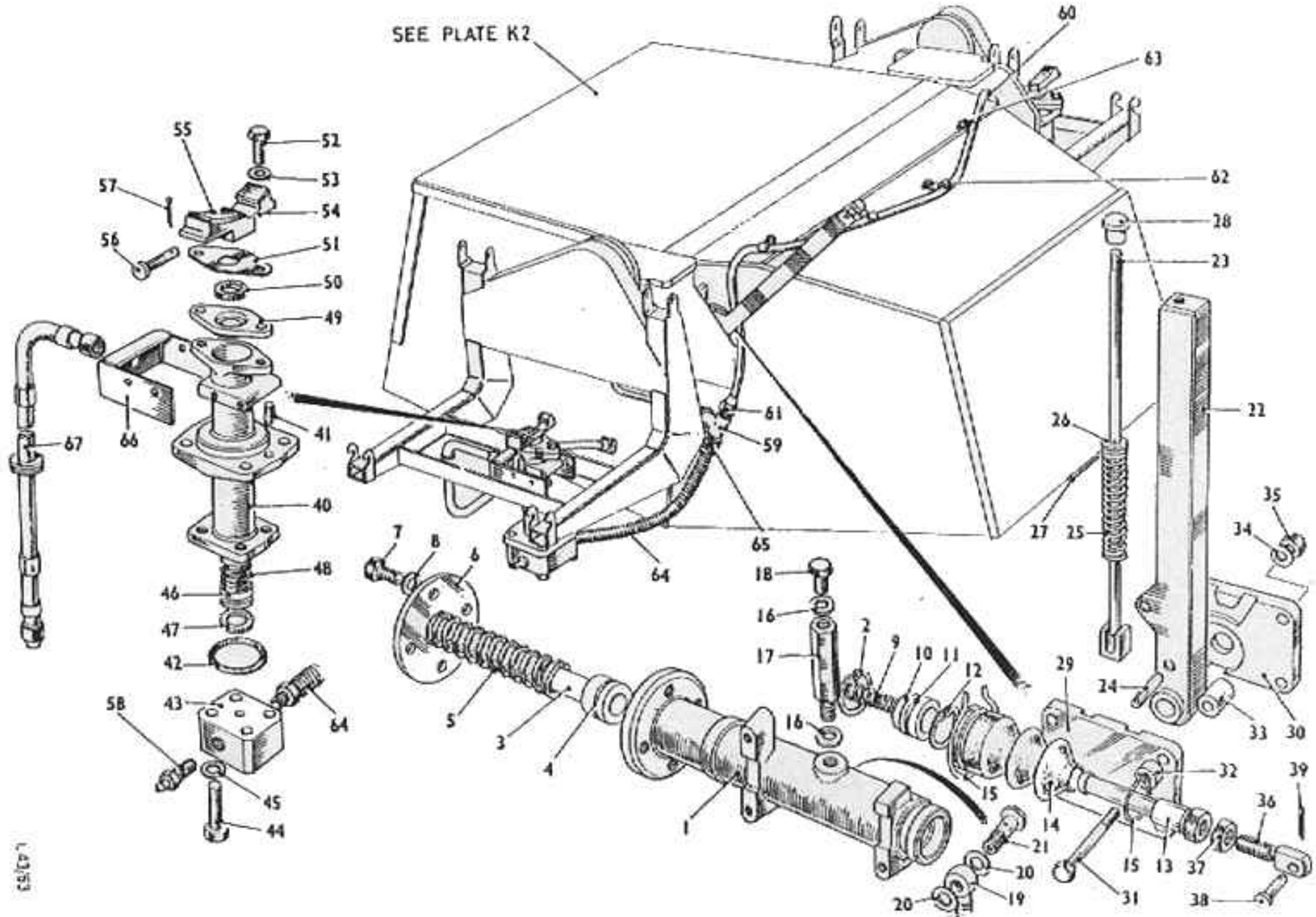




MISSILE HYDRAULIC SYSTEM

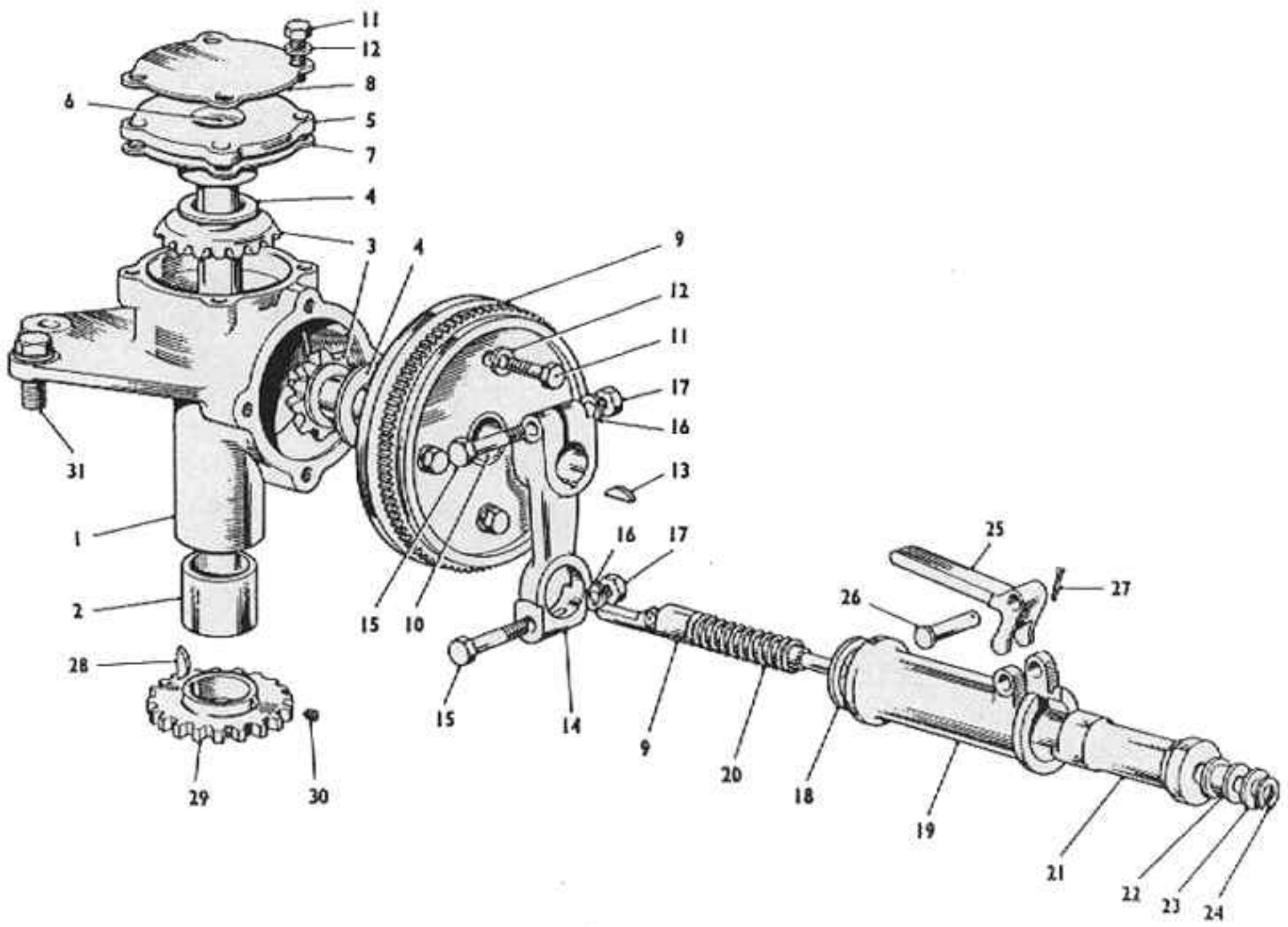
K3

SEE PLATE K2



1.43/53

TRAVERSE GEAR



Item No.	Catalogue Number	Item Name	Item Description	No. Off	Plate Ref.	Drawing No.	L1 Remarks
1						L1	
2		IGNITION SYSTEM -					
3	LV6MT8/2920-99-806-4442	DISTRIBUTOR, IGNITION SYSTEM	no. 1, Mk 2, 6 cyl w/capacitor	1	1-50	FV141535	
4	NP	BODY, DISTRIBUTOR		1	1-6	LU/417898	
5	LV6MT8/5910-99-806-5559	CAPACITOR, FIXED, METALLIZED		1			
6		PAPER, DIELECTRIC	0.205 uF, 500V dc working	1	2	JU/419301	
7	Z2/5305-99-941-6854	SCREW, MACHINE	BA, steel, rd hd, Cd plated, no. 4 x 7/16 in.	1			Capacitor to body
8	Z2/5310-99-941-6688	WASHER, LOCK	steel, single coil, sq sect., Cd plated, no. 4	1			
9	LV6MT8/4730-99-806-6367	REDUCER, PIPE	air vent	1	3	AC/7221267	
10	LV6MT8/5975-99-806-4254	ADAPTOR, CABLE GLAND		1		7221268	
11	LV6MT8/5310-99-806-6369	WASHER, FLAT	Al, 0.703 in.	2	4	AC/7221269	Reducer and adaptor
12	LV6MT1/3120-99-806-4002	BEARING, SLEEVE	bronze 0.491 in. id x 0.626 in. od x 0.817 in. lg	1			
13	LV6MT8/2920-99-806-5505	SEAL, RUBBER, SPECIAL SHAPED SECTION		1	5	LU/417803	
14	NP	SHAFT, DISTRIBUTOR		1	7-10	LU/422335	
15	LV6MT8/2920-99-806-5513	SHAFT AND ACTION PLATE ASSEMBLY		1	7	LU/417913	
16	LV6MT7/3110-99-950-1177	BEARING, BALL, JOURNAL	single row, 1/2 in. id x 1-1/8 in. cd x 1/4 in. w, '00' fit	1			
17	LV6MT8/2920-99-806-5948	WEIGHT, IGNITION DISTRIBUTOR		1	8	LU/496002	
18	LV6MT8/2920-99-806-5492	SPRING ASSORTMENT		1 set	9	LU/416229	
19	LV6MT8/2920-99-806-5608	CAM, IGNITION DISTRIBUTOR		1	10	LU/420452	
20	LV6MT8/5305-99-806-4017	SCREW, MACHINE	BA, steel, rd hd, Cd plated, no. 2 x 5/16 in.	1		LU/144454	Cam to shaft
21	NP	CONTACT BREAKER		1	11-21	LU/417937	
22	LV6MT8/2920-99-806-5512	PLATE, IGNITION CONTACT BREAKER	fixed	1	11-13	LU/417902	
23	LV6MT8/5315-99-806-6477	PIN, ECCENTRIC	contact base	1	14	LU/417939	
24	LV6MT8/2920-99-806-6476	PLATE, IGNITION CONTACT BREAKER	adjustable	1	15	LU/417941	
25	LV6MT8/2920-99-806-5558	CONTACT SET, DISTRIBUTOR		1	18	LU/419265	
26	LV6MT8/5970-99-806-5511	INSULATOR, BUSHING	w/insulating washer SRBF, 0.147 in. id x 0.186 in. lg	1		LU/417896	
27	Z2/5310-99-941-8679	WASHER, FLAT	brass, 3/16 in.	2			Contact lever
28	Z2 5310 99-941-6688	WASHER, LOCK	steel, single coil, sq sect., Cd plated, no. 4	2			springs to pillars
29	Z2/5310-99-101-7658	NUT, PLAIN, HEXAGON	BA, brass, Cd plated, no. 4	2	19		Contact breaker
30	Z2/5310-99-941-6643	WASHER, LOCK	steel, single coil, sq sect., Cd plated, no. 2	2	22		plate to body
31	LV6MT8/2920-99-806-5507	SCREEN, IGNITION DISTRIBUTOR		1	24-33	LU/417880	
32	LV6MT8/4730-99-806-6367	REDUCER, PIPE	air vent	1	25	AC/7221267	
33	LV6MT8/5975-99-806-4254	ADAPTOR, CABLE GLAND		1	26	7221268	
34	LV6MT8/5310-99-806-6369	WASHER, FLAT	Al, 0.703 in.	2	27	AC/7221269	Reducer and adaptor
35	LV6MT8/5306-99-806-5565	EYEBOLT	UNF, Al B, 1/4 in. x 1-13/16 in.	3	28	LU/419565	
36	LV6MT8/5315-99-806-4966	PIN, STRAIGHT, HEADLESS	Al B, 0.157 in. dia x 0.968 in. lg	3	29	LU/186874	Screen body to distributor body
37	G1/5310-99-941-8634	WASHER, FLAT	steel, zinc coated, 1/4 in.	3	30		
38	G1/5310-99-941-3524	NUT, SELF-LOCKING, HEXAGON	UNF, steel, nylon insert, zinc coated, 1/4 in.	3	31		
39	G1/5315-99-944-0172	PIN, COTTER, SPLIT	steel, phosphated, 1/16 in. x 7/8 in.	3	32		
40	LV6MT8/2920-99-806-5515	CAP, IGNITION DISTRIBUTOR		1	34-37	LU/417931	
41	LV6MT8/5977-99-806-4008	BRUSH, ELECTRICAL CONTACT	carbon, w/spring	1	35	LU/404435	
42	LV6MT8/2920-99-806-6523	COVER, IGNITION DISTRIBUTOR CAP		1		LU/417936	
43	Z2/5305-99-101-2816	SCREW, MACHINE	BA, brass, rd hd, Cd plated, no. 4 x 3/8 in.	3	37		

Item No.	Catalogue Number	Item Name	Item Description	No. Off	Plate Ref.	Drawing No.	L2 Remarks
1		IGNITION SYSTEM - Contd				L1	
2		DISTRIBUTOR - Contd					
3		COVER ASSEMBLY, IGNITION					
4	LV6MT8/2920-99-806-5509	DISTRIBUTOR SCREEN		1	41-42	LJ/417886	
5	LV6MT8/5970-99-806-6282	INSULATOR DISC		1		LJ/417885	
6	LV6MT8/2920-99-806-5510	GASKET	sealing cover	1	42	LJ/417887	
7	G1/5310-99-944-0548	WASHER, LOCK	steel, single coil, sq sect., Cd plated, 1/4 in.	8	43		
8	G1/5310-99-941-1285	NUT, PLAIN, HEXAGON	UNF, steel, Cd plated, 1/4 in.	8	44		
9	LV6MT8/2920-99-806-5613	DRIVE ASSEMBLY, IGNITION		1	45-47	LJ/420573	
10	G1/5315-99-942-0824	DISTRIBUTOR PIN, TAPER, SOLID	steel, phosphated, 1/8 in. x 1 in.	1	48) Drive to) shaft
11	LV6MT8/2920-99-806-5516	ROTOR ARM, IGNITION	bakelite, speed limiter, 1875 rev/min	1	51	LJ/417952	
12	LV6MT8/2920-99-806-5643	DISTRIBUTOR PARTS KIT, IGNITION		1		LJ/422660	
13	G1/5310-99-120-7357	DISTRIBUTOR WASHER, LOCK	steel, single coil, sq sect., zinc coated, 5/16 in.	2)
14	G1/5310-99-941-8386	WASHER, FLAT	steel, zinc coated, 5/16 in.	2) Distributor) to cyl) block
15	G1/5310-99-941-0925	NUT, PLAIN, HEXAGON	UNF, steel, zinc coated, 5/16 in.	2)
16						L2	
17	LV6MT8/2920-99-806-6174	DISTRIBUTOR, IGNITION SYSTEM	no. 1, Mk 2/1, 6 cyl	1	1-71	FV141540) For replace-) ment demand) LV6MT8/2920-) 99-806-4442
18	NP	BODY, DISTRIBUTOR		1	1-3	AC/7221178	
19	LV6MT8/2920-99-806-6190	BUSH, BODY	bottom	1	2	AC/7952090	
20	LV6MT8/4730-99-806-6367	REDUCER, PIPE	air vent	1	4	AC/7221267	
21	LV6MT8/5975-99-806-4254	ADAPTOR, CABLE GLAND		1	5	7221268	
22	LV6MT8/5310-99-806-6369	WASHER, FLAT	Al, 0.703 in.	2		AC/7221269) Reducer and) adaptor
23	NP	SHAFT, DISTRIBUTOR		1	6-11	AC/7951189)
24	LV6MT8/2920-99-806-6193	SHAFT AND ACTION PLATE, 6 CYLINDER		1	6	AC/7951188)
25	LV6MT8/2920-99-806-6128	SPRING, HELICAL, EXTENSION	weight	1	7	AC/1910201)
26	LV6MT8/2920-99-806-6053	SPRING, HELICAL, EXTENSION	weight	1	8	AC/825515) Automatic) advance) mechanism
27	LV6MT8/2920-99-806-6038	WEIGHT, IGNITION DISTRIBUTOR		2	9	AC/818222)
28	LV6MT8/5310-99-806-6028	WASHER, FLAT	weight	2		AC/811124)
29	LV6MT8/5310-99-806-6037	NUT, PLAIN, HEXAGON	UNC, steel, zinc coated, no. 8	2	10	AC/817363)
30	LV6MT8/5310-99-806-6180	WASHER, LOCK	steel, ext flat, 11/64 in.	2		AC/7221357)
31	LV6MT8/2920-99-806-6165	CAM, 6 CYLINDER		1	11	AC/7221235)
32	LV6MT8/2920-99-806-6176	WASHER, GREASE RETAINING	shaft bearing	1	12	AC/7221306)
33	LV6MT8/3110-99-942-5752	BEARING, BALL, JOURNAL	single row, 15 mm id x 35 mm od x 11 mm w, '00' fit	1	13) Shaft
34	LV6MT8/2920-99-806-6156	STUD, TERMINAL	condenser mtg	1	14	AC/7221198)
35	LV6MT8/2920-99-806-6154	BUSH, INSULATING TERMINAL	ext	1	15	AC/7221196)
36	LV6MT8/2920-99-806-6155	BUSH, INSULATING TERMINAL	int	1	16	AC/7221197)
37	LV6MT8/2920-99-806-6159	BRACKET, CLAMPING CAPACITOR		1	17	AC/7221220)
38	LV6MT8/5305-99-806-6122	SCREW, MACHINE	UNC, steel, hex hd, slot drive, zinc coated, no. 8 x 2-5/64 in. lg	1	18	1858576) Clamping) bracket
39	LV6MT8/5310-99-806-6179	WASHER, LOCK	steel, single coil, sq sect., 11/64 in.	1	19	AC/7221355)
40	LV6MT8/5910-99-806-6127	CAPACITOR, FIXED, METALLIZED PAPER, DIELECTRIC	0.205uF, 500V dc working	1	20	AC/908758)
41	LV6MT8/5310-99-806-6179	WASHER, LOCK	steel, single coil, sq sect., 11/64 in.	2	22	AC/7221355) Terminal) stud and) clamp
42	LV6MT8/5310-99-806-6037	NUT, PLAIN, HEXAGON	UNC, steel, zinc coated, no. 8	2	23	AC/817363)
43	LV6MT8/2920-99-806-6168	COVER, TERMINAL BOX		1	24	AC/7221279)
44	LV6MT8/5330-99-806-6162	PACKING, PREFORMED	terminal box cover	1	25	AC/7221223)

Item No.	Catalogue Number	Item Name	Item Description	No. Off	Plate Ref.	Drawing No.	L3 Remarks
1						L2	
2		IGNITION SYSTEM - Contd					
3		DISTRIBUTOR, IGNITION SYSTEM - Contd					
4	LV6MT8/5310-99-806-4838	WASHER, LOCK	steel, single coil, sq sect., 13/64 in.	4	26	AC/120217) Terminal box cover
5	LV6MT8/5310-99-806-4839	NUT, PLAIN, HEXAGON	ANF, steel, zinc coated, no. 10	4	27	AC/120614)
6	NP	CONTACT BREAKER		1	28-36	AC/7221312)
7	LV6MT8/2920-99-806-6175	BASE, CONTACT BREAKER 6 CYLINDER		1	28	AC/7221305)
8	LV6MT8/2920-99-806-6126	CONTACT, ELECTRICAL	fixed	2	29	AC/1871865)
9	LV6MT8/2920-99-806-6185	CONTACT, ELECTRICAL	moving	2	30	AC/7221378)
10	LV6MT8/5305-99-806-6036	SCREW, MACHINE	UNC, steel, flat chamfer hd, slot drive, zinc coated, no. 8 x 0.166 in. lg	2	34	816784) Condenser lead
11	LV6MT8/5310-99-806-6037	NUT, PLAIN, HEXAGON	UNC, steel, zinc coated, no. 8	2	35	AC/817363)
12	LV6MT8/5305-99-806-6036	SCREW, MACHINE	UNC, steel, flat chamfer hd zinc coated, no. 8 x 0.166 in.	3	36	AC/816784) Contacts to base
13	LV6MT8/5310-99-806-6179	WASHER, LOCK	steel, single coil, sq sect., 11/64 in.	3		AC/7221355)
14	LV6MT8/2920-99-806-6221	WICK	felt, 1/4 in. w x 1/2 in. lg x 1/4 in. thk	1		AC/7221298)
15	LV6MT8/5305-99-806-6036	SCREW, MACHINE	UNC, steel, flat chamfer hd, zinc coated, no. 8 x 0.166 in.	1		AC/816784) Wick to base
16	LV6MT8/5310-99-806-6179	WASHER, LOCK	steel, single coil, sq section, 11/64 in.	1		AC/7221355)
17	LV6MT8/2920-99-806-6039	WICK	felt, 0.360 in. dia x 1/8 in. lg	2	40	AC/819639) Cam lubrication int
18	LV6MT8/5305-99-806-6122	SCREW, MACHINE	UNC, steel, hex hd, slotted, zinc coated, no. 8 x 25/64 in.	3	41	AC/1858576) Breaker plate to body
19	LV6MT8/5310-99-806-6179	WASHER, LOCK	steel, single coil, sq sect., 11/64 in.	3	42	AC/7221355)
20	LV6MT8/2920-99-806-6182	BODY, SCREENED COVER, 6 CYLINDER		1	45-48	AC/7221362)
21	LV6MT8/4730-99-806-6367	REDUCER, PIPE	air vent	1	49	AC/7221267)
22	LV6MT8/5975-99-806-4254	ADAPTOR, CABLE GLAND		1	50	7221268)
23	LV6MT8/5310-99-806-6369	WASHER, FLAT	Al, 0.70 in.	2	51	AC/7221269)
24	LV6MT8/2920-99-806-6177	RING, SEATING, MOULDED COVER		1	52	AC/7221316)
25	LV6MT8/2920-99-806-6149	CAP, IGNITION DISTRIBUTION		1	53	AC/7221181)
26	LV6MT8/5340-99-806-6189	CLIP, SPRING TENSION	moulded cap to screened cover	1	54	AC/7951979)
27	LV6MT8/5977-99-806-6167	BRUSH, ELECTRICAL CONTACT	carbon; w/spring	1	55	AC/7221263)
28	LV6MT8/5330-99-806-6161	WASHER, NONMETALLIC	screened body to base	1	56	AC/7221222)
29	LV6MT8/2920-99-806-6151	CAP, MOULDED COVER 6 CYLINDER		1	57	AC/7221190)
30	LV6MT8/5305-99-806-6153	SCREW, MACHINE	UNC, steel, oval csk hd, zinc coated, no. 8 x 1.020 in.	3	58	AC/7221193) Moulded cap to base
31	LV6MT8/2920-99-806-6152	WASHER, CAP TO BASE COVER		3	59	AC/7221192)
32	LV6MT8/5330-99-806-6160	PACKING, PREFORMED	cover cap	1	60	AC/7221221)
33	LV6MT8/2920-99-806-6148	CAP, SCREENED, COVER		1	61	AC/7221165)
34	LV6MT8/2920-99-806-6158	SCREW, MACHINE	UNF, steel, hex hd, zinc coated, no. 10 x 3-1/4 in.	6	62	AC/7221218) Cover cap
35	LV6MT8/5310-99-806-4838	WASHER, LOCK	steel, single coil, sq sect., 13/64 in.	8	63	AC/120217)
36	LV6MT8/5310-99-806-4839	NUT, PLAIN, HEXAGON	ANF, steel, zinc coated, no. 10	2	64	AC/120614) Cap studs
37	LV6MT8/5310-99-806-4840	WASHER, LOCK	steel, single coil, sq section, 0.271 in.	4	65	AC/121637)
38	LV6MT8/2920-99-806-6181	NUT, FIXING, CABLE OUTLET		4	66	AC/7221359)
39	LV6MT8/2920-99-806-6030	WASHER, THRUST, DRIVE		1	67	AC/811912)
40	LV6MT8/2920-99-806-5613	DRIVE ASSEMBLY, IGNITION DISTRIBUTOR		1	68-70	LU/420573)
41	G1/5315-99-941-0824	PIN, TAPER, SOLID	steel, phosphated, 1/8 in. x 1 in.	1	71) Drive shaft

Item No.	Catalogue Number	Item Name	Item Description	No. Off	Plate Ref.	Drawing No.	LA Remarks
1						L2	
2		IGNITION SYSTEM - Contd					
3	LV6MT8/2920-99-806-6192	ROTOR ARM, IGNITION DISTRIBUTOR		1	72	AC/7951168	
4	LV6MT8/2920-99-806-5605	CABLE AND CONDUIT ASSEMBLY, ELECTRICAL	LT, distributor to coil	1		LU/420443	
5	Y3/6145-99-943-4824	CABLE, ELECTRICAL	insulated, 40/0.0076 in. 12A	A/R			
6	LV6MT8/5340-99-806-5552	BUSHING, RUBBER	0.102 in. id x 0.531 in. od x 0.250 in. lg	2		FV419137	
7							
8	LV6MT8/2920-99-806-5600	CABLE AND CONDUIT ASSEMBLY ELECTRICAL	ht, distributor to coil	1		LU/420398	
9	Y3/6145-99-103-6495	CABLE, ELECTRICAL	19/0.012 in. braided, lacquered	A/R			
10	LV6MT8/5340-99-806-5594	BUSHING, RUBBER	coil end	1		LU/420296	
11	LV6MT8/5340-99-806-5593	BUSHING, RUBBER	distributor end	1		LU/420295	
12							
13	LV6MT8/2920-99-806-5598	CABLE AND CONDUIT ASSEMBLY ELECTRICAL	ht, distributor, no. 1, 2 and 3 sparking plugs	1		LU/420396	
14	Y3/6145-99-103-6495	CABLE, ELECTRICAL	19/0.012 in. braided, lacquered	A/R			
15	LV6MT8/5340-99-806-5596	CABLE BUNG	entry plate	1		LU/420299	
16	LV6MT8/5340-99-806-5593	BUSHING, RUBBER	cable entry, elbow end	3		LU/420295	
17	LV6MT8/2920-99-806-4197	ELBOW, IGNITION TERMINAL		3		LO/EC4/120	
18	LV6MT8/5970-99-806-4030	INSULATOR, BOWL	steatite	3		LO/CG1/S	
19	LV6MT8/5310-99-806-4023	WASHER, RECESSED	steel, tin plated, 0.190 in.	3		LO/CG1/W	
20	LV6MT8/5940-99-806-4022	FERRULE, ELECTRICAL CONDUCTOR		3		LO/SS4	
21	LV6MT8/2920-99-806-5599	CABLE AND CONDUIT ASSEMBLY ELECTRICAL, BRANCHED	ht, distributor to no. 4,5 and 6 sparking plugs	1		LU/420397	
22	Y3/6145-99-103-6495	CABLE, ELECTRICAL	19/0.012 in. braided, lacquered	A/R			
23	LV6MT8/5340-99-806-5596	CABLE BUNG	entry plate	1		LU/420299	
24	LV6MT8/5340-99-806-5593	BUSHING, RUBBER	cable entry, elbow end	3		LU/42095	
25	LV6MT8/2920-99-806-4197	ELBOW, IGNITION TERMINAL		3		LO/EC4/120	
26	LV6MT8/5970-99-806-4030	INSULATOR, BOWL		3		LO/CG1/S	
27	LV6MT8/5310-99-806-4023	WASHER, RECESSED		3		LO/CG1/W	
28	LV6MT8/5940-99-806-4022	FERRULE, ELECTRICAL CONDUCTOR		3		LO/SS4	
29	LV10/2805-99-865-2813	PIPE, VENTILATING DISTRIBUTOR	bottom	1		FV142925	
30	LV10/2805-99-865-2814	PIPE, VENTILATING DISTRIBUTOR	top	1		FV142926	
31	LV10/5340-99-865-2514	CLAMP, LOOP	steel, 1/2 in. id	1		FV141785	
32	LV6MT4/2920-99-803-5883	PLUG, SPARKING	14 mm thd	6		FV175878	
33	LV6MT4/2920-99-803-5784	GASKET	steel, 0.566 in.	6		LO/LP772	
34							
35	LV6MT8/2920-99-806-6331	COIL, IGNITION	no. 1, Mk 3	1		FV342512	
36	Z2/5310-99-941-8690	WASHER, FLAT	brass, NP, no. 2 BA	2			
37	Z2/5310-99-100-6946	WASHER, LOCK	steel, int flat, no. 2 BA	2			
38	Z2/5310-99-101-5793	NUT, PLAIN, HEXAGON	BA, brass, lock no. 2	2			
39	LV6MT8/5975-99-806-6306	BUSHING, ELECTRICAL CONDUCTOR		1		LU/445991	
40	LV6MT8/5310-99-806-4962	WASHER, LOCK	brass, 3/8 in. od	1		LU/185015	
41	G1/5310-99-941-6644	WASHER, LOCK	steel, single coil, sq sect., Cd plated, 1/4 in.	4) Coil and) bracket to) housing
42	G1/5305-99-941-1168	SCREW, MACHINE	UNC, steel, hex hd, Cd plated, 1/4 in. x 3/4 in.	4			
43	LV6MT8/5970-99-806-6307	INSULATOR, DISC	ignition coil cover	1		LU/419521	
44	LV6MT8/5330-99-806-6276	GASKET	ignition coil cover	1		LU/445998	
45	G1/5310-99-120-2166	WASHER, LOCK	steel, single coil, sq sect., zinc coated, 1/4 in.	4) Cover to) housing
46	G1/5310-99-941-0924	NUT, PLAIN, HEXAGON	UNF, steel, zinc coated, 1/4 in.	4			
47	LV6MT1/9905-99-901-3287	PLATE, MODIFICATION RECORD		1		FV133030	
48	G1/5305-99-941-6205	SCREW, DRIVE	steel, rd hd, type U, zinc coated, no. 0 x 3/16 in.	4) Mod plate) Ignition) coil to) induction) manifold
49	G1/5310-99-120-2166	WASHER, LOCK	steel, single coil, sq sect., zinc coated, 1/4 in.	4			

Item No.	Catalogue Number	Item Name	Item Description	No. Off	Plate Ref.	Drawing No.	L4A Remarks
1		IGNITION SYSTEM - Contd					
2		WASHER, FLAT	steel, zinc coated, 1/4 in.	4) Ignition
3	G1/5310-99-941-8634) coil to
4	G1/5310-99-941-0924	NUT, PLAIN, HEXAGON	UNF, steel, zinc coated, 1/4 in.	4) induction
5) manifold
6	LV6MT8/5915-99-806-6531	FILTER, RADIO INTERFERENCE		1	L3 1-34	FV141525	
7	LV6MT8/5330-99-806-6532	RING, SEALING, TOROIDAL	rubber, 2.303 in. id x 0.093 in. h	1	2	FV142050	
8	LV10/5310-99-865-1478	WASHER, FLAT	Al, 1/2 in.	2	3		
9	LV6MT4/5915-99-805-2809	ADAPTOR, CABLE GLAND	Whit form, 1/2 in.	2	4		
10	LV6MT8/5999-99-806-6533	INDUCTOR - CAPACITOR	right	1	7-15	FV142069	
11	Z2/5305-99-101-8359	SCREW, MACHINE	BA, brass, flat fillister hd, Cd plated, no. 6 x 3/4 in.	1	11)
12	G1/5310-99-941-6641	WASHER, LOCK	steel, single coil, sq sect., Cd plated, no. 6	1	12) Coils,
13	G1/5310-99-941-9114	NUT, PLAIN, HEXAGON	BA, brass, tin plated, no. 6	1) cores and
14	Z2/5305-99-101-6304	SCREW, MACHINE	BA, brass, flat fillister hd, Cd plated, no. 4 x 5/16 in.	2	14) insulators
15	Z/5910-99-011-5559	CAPACITOR, FIXED, METALLIZED PAPER, DIELECTRIC		1	15)
16	LV6MT8/5999-99-806-6534	INDUCTOR - CAPACITOR	0.05 uF, 300 V dc working left	1	16-24	FV142070)
17	Z2/5305-99-101-8359	SCREW, MACHINE	BA, brass, flat fillister hd, Cd plated, no. 6 x 3/4 in.	1	20) Coils,
18	G1/5310-99-941-6641	WASHER, LOCK	steel, single coil, sq sect., Cd plated, no. 6	1	21) cores and
19	Z2/5310-99-941-9114	NUT, PLAIN, HEXAGON	BA, brass, tin plated, no. 6	1) insulators
20	Z2/5305-99-101-6304	SCREW, MACHINE	BA, brass, flat fillister hd, Cd plated, no. 4 x 5/16 in.	2	23)
21	Z/5910-99-011-5559	CAPACITOR, FIXED, METALLIZED PAPER, DIELECTRIC	0.05 uF, 300 V dc working	1	24) Terminals

Item No.	Catalogue Number	Item Name	Item Description	No. Off	Plate Ref.	Drawing No.	L5 Remarks
1		IGNITION SYSTEM - Contd			L3		
2		FILTER - Contd					
3	Z2/5305-99-101-7495	SCREW, MACHINE	BA, brass, flat osh hd, no. 4 x 1/4 in.	4	27		Inductor capacitors to body
4	LV6MT1/9905-99-901-3287	PLATE, MODIFICATION RECORD		1	29	FV133030	
5	G1/5305-99-941-6205	SCREW, DRIVE	steel, rd hd, type U, zinc coated, no. 0 x 3/16in	2	30		Mod record plate
6	G1/5310-99-915-0503	WASHER, LOCK	steel, single coil, sq section, zinc coated, 3/16 in.	3	31		
7	Z2/5310-99-101-2849	NUT, PLAIN, HEXAGON	BA, steel, lock, zinc coated, no. 2	3	32		Cover to body studs
8	G1/5310-99-120-2166	WASHER, LOCK	steel, single coil, sq section, zinc coated, 1/4 in.	2	33		
9	G1/5310-99-941-0924	NUT, PLAIN, HEXAGON	UNF, steel, zinc coated, 1/4 in.	2	34		Fixing studs
10							
11	LV6MT4/2920-99-805-6273	INTERCONNECTING BOX	no. 1, Mk 2	1		FV141517	
12	LV6MT4/5307-99-804-7401	STUD, PLAIN	UNF/UNC, steel, zinc coated, 5/16 in. x 1.234 in.	2		CB/5868/ 24	
13	LV6MT4/5307-99-805-6152	STUD, PLAIN	BA, steel, zinc coated, no. 2 x 0.938 in.	5		CB/5868/ 15	
14	LV6MT4/5310-99-805-2930	WASHER, FLAT	Al, 1/2 in.	3		CB/5339/ 851	
15	LV6MT4/5975-99-805-2809	ADAPTOR, CABLE GLAND	Whit form, 1/2 in.	3		CB/5869/13	
16	LV6MT4/2920-99-805-3144	BASE ASSEMBLY, INTERCONNECTING	w/resistors and terminals	1		CB/5868/11	
17	LV6MT4/5940-99-805-1259	TERMINAL POST	brass, boss mounted	7		Z/5482/61	
18	LV6MT4/5305-99-803-8023	SCREW, GRUB	BSF, brass, slotted, tin plated, 1/4 in. x 11/32 in.	7			
19	Z2/5305-99-941-8908	SCREW, MACHINE	BA, steel, flat fillister hd, Cd plated, no. 2 x 5/8 in.	4			Resistors to body
20	Z2/5310-99-100-6946	WASHER, LOCK	steel, int, flat no. 2 BA	4			
21	LV6MT4/5306-99-803-6671	BOLT, MACHINE	BA, steel, hex hd, zinc coated, no. 2 x 1-13/16 in.	2		CB/Z5334/ 201	Clamping disc
22	Z2/5310-99-941-6643	WASHER, LOCK	steel, single coil, sq section, Cd plated, 0.195 in.	2			
23	Z1/5935-99-940-9836	PLUG, ELECTRICAL	M4, fixed, female shell, size 2/0, 4 pole	1		PL/ CZ63956	
24	Y3/6145-99-910-0188	WIRE, ELECTRICAL	type 2, 23/0.0076 in. PVC, medium wall, black	as req			
25	Y3/5970-99-914-8723	INSULATION SLEEVING, ELECTRICAL	3 mm bore, braided glass	as req			
26	LV6MT4/2920-99-805-6306	COVER, INTERCONNECTING BOX		1		CB/W5868/ 12A	
27	LV6MT4/2920-99-803-6829	PACKING, PREFORMED	no. 1, Mk 2 synthetic rubber, 4.062 in. id x 4.362 in. od x 0.210 in. thk	1		CB/5868/2	
28	G1/5310-99-120-2311	WASHER, LOCK	steel, int, flat, zinc coated, 3/16 in.	5			Cover to body
29	LV6MT4/5310-99-805-5929	NUT, PLAIN, HEXAGON	BA, steel, no. 2	5		CB/5043A/3	
30	LV6MT1/9905-99-901-3287	PLATE, MODIFICATION RECORD		1		FV133030	
31	G1/5305-99-941-6205	SCREW, DRIVE	steel, rd hd, type U, zinc coated, no. 0 x 3/16in	2			Mod record plate
32	LV10/2590-99-865-1210	ADAPTOR, JUNCTION BOX MOUNTING		1		FV144282	
33	G1/5305-99-941-6300	SCREW, MACHINE	UNF, steel, osh hd, Cd plated, 1/4 in. x 1 in.	3			Junction box mtg adaptor
34	LV10/FV143021	CONDUIT ASSEMBLY, RIGID, ELECTRICAL	ignition coil to filter	1			
35	Y3/6145-99-943-4824	CABLE, ELECTRICAL	insulated, glass braid, 40/0.0076 in. 12A, yellow	as req			
36	LV10/5975-99-865-5250	BUSHING, ELECTRICAL CONDUCTOR	filter end	1		FV141867	
37	LV6MT8/5340-99-806-5552	BUSHING, RUBBER	coil end	1		FV1419137	
38							
39	LV10/FV142826	CONDUIT ASSEMBLY, RIGID, ELECTRICAL	interconnecting box to filter	1			
40	Y3/6145-99-943-4824	CABLE, ELECTRICAL	insulated, glass braid, 40/0.0076 in. 12A yellow	as req			
41	LV10/5975-99-865-5250	BUSHING, ELECTRICAL CONDUCTOR	filter end	1		FV141867	
42							

Item No.	Catalogue Number	Item Name	Item Description	No. Off	Plate Ref.	Drawing No.	L6 Remarks
1		IGNITION SYSTEM - Contd					
2	LV10/FV142829	CONDUIT ASSEMBLY, RIGID, ELECTRICAL	interconnecting box to oil pressure switch	1			
3	Y3/6145-99-943-4824	CABLE, ELECTRICAL	insulated, glass braid, 40/0.0076 in. 12A yellow	as req			
4	LV10/5340-99-865-2519	STRAP, RETAINING	ignition cable	1		FV141798	} Retaining strap to rocker cover
5	G1/5310-99-944-0547	WASHER, LOCK	steel, single coil, sq section, Cd plated, 3/16 in.	2			
6	Z2/5310-99-941-7070	NUT, PLAIN, HEXAGON	BA, steel, Cd plated, no. 2	2			
7	LV10/2805-99-865-2429	GASKET	oil pressure switch	1			
8	LV6MT4/5930-99-804-8837	SWITCH, PRESSURE	oil	1		SM/559PG	
9	LV6MT4/5930-99-804-9560	RING, SEALING TOROIDAL	rubber, 1.45 in. id x 0.070 in. h, 60/65 deg BS hardness	1		SM/31-781-118	
10	LV6MT4/5310-99-804-8871	WASHER, FLAT	Al, 1/2 in.	1		SM/PG2082	
11	LV6MT4/4730-99-804-8870	ADAPTOR, STRAIGHT PIPE	Whit form, brass, 1/2 in.	1		SM/PG2074	} Oil pressure switch to oyl block
12	G1/5310-99-941-0547	WASHER, LOCK	steel, single coil, sq section, Cd plated, 3/16 in.	6			
13	Z2/5310-99-941-7070	NUT, PLAIN, HEXAGON	BA, steel, Cd plated, no. 2	6			
14	LV10/5995-99-865-1652	LEAD, ELECTRICAL	earthing, 2 in. lg	1		RR/KB5521	} Oil pressure switch
15					L4		
16	LV6MT4/2920-99-804-1450	STARTER, ENGINE, ELECTRICAL	24V, no. 1, Mc 3	1	1-107	FV342510	
17	NP	YOKE		1	1-4	SS/LA81138	
18	LV6MT4/2920-99-803-7024	WINDING, MOTOR FIELD	24V	1 set	3	SS/LA81146	
19	LV6MT4/5305-99-803-7381	SCREW, MACHINE	BSW, steel, flat osk hd, 5/16 in. x 0.484 in.	8	4	SS/116302	} Yoke poles
20	LV6MT4/2920-99-804-1451	ARMATURE, MOTOR		1	6	SS/A43225	
21	LV6MT4/5315-99-803-6571	KEY, MACHINE	armature drive	1	7	SS/33121	} Armature drive
22	LV6MT4/3120-99-803-6709	BEARING, SLEEVE	bronze, 0.754 in. id x 0.941 in. od x 0.875 in. lg	2	8	SS/42225	
23	NP	DRIVE ASSEMBLY		1	9-11	SS/LA78151/1	
24	LV6MT4/2920-99-803-8653	HUB, DRIVE		1	9	SS/L78147	
25	LV6MT4/2920-99-803-8654	SPRING, HELICAL COMPRESSION		1	10	SS/L78148/1	
26	LV6MT4/2920-99-803-8655	SLEEVE, SPRING		1	11	SS/L78150	
27	LV6MT4/2920-99-803-8673	SLEEVE, PINION	coupling	1	12	SS/L80354/1	
28	LV6MT1/5330-99-945-1100	SEAL, PLAIN	synthetic rubber and brass 1/4 in. id x 3/4 in. od x 1/4 in. w	1	13	GO/MIS04	
29	LV6MT4/2920-99-804-1469	PACKING PIECE	pinion, sleeve seal	1		SS/42586	
30	LV6MT4/5340-99-803-7140	WASHER ASSORTMENT	armature end play adjustment	1 set		SS/582887	
31	LV6MT4/2920-99-804-1468	HOUSING, MECHANICAL DRIVE	DE	1	15-18	SS/A40738	
32	LV6MT4/2920-99-803-7093	BEARING, SLEEVE	flanged	1	16	SS/L81593	
33	LV6MT4/2920-99-803-7085	SEAL, PLAIN, ENCASED	synthetic rubber and brass, 35 mm id x 47 mm od x 7 mm w	1	17	SS/L81595	
34	LV6MT4/2920-99-803-7084	BEARING, SLEEVE	plain	1	18	SS/L81594	
35	LV6MT4/5305-99-803-7062	SCREW, MACHINE	BSW, steel, flat fillister hd Cd plated, 1/4 in. x 1/4 in	2	19	SS/L81316	
36	LV6MT4/5310-99-803-7141	WASHER, FLAT	Al, 1/4 in.	2	20	SS/L82898	
37	LV6MT4/5330-99-803-9606	RING, SEALING, TOROIDAL	rubber, 3.176 in. id x 0.129 in. h, 60/70 deg hardness	1	21	SS/126062/1	} DE housing
38	LV6MT4/5307-99-803-7162	STUD, RECESSED	UNF/UNC, steel, 1/4 in. x 162 mm lg	4	22	SS/L83108	} Tie rod
39	G1/5310-99-120-1338	WASHER, LOCK	steel, single coil, sq section, zinc coated, 7/32 in.	4	23		} Drive end housing to yoke
40	LV6MT4/5305-99-803-7373	SCREW, CAP, SOCKET HEAD	BA, steel, no. 1 x 3/4 in.	4	24	SS/108604	
41	NP	HOUSING, MECHANICAL DRIVE		1	25-31	SS/LA81147	
42	LV6MT4/2920-99-401-6483	END SHIELD, ELECTRICAL ROTATING EQUIPMENT	w/bushes	1	25	SS/LA81150	
43	LV6MT4/2920-99-803-7061	BUSH INSERT		8		SS/L81303	
44	LV6MT4/5970-99-803-7907	BUSH, INSULATING		8		SS/33965/1	
45	LV6MT4/5970-99-803-7030	INSULATOR PLATE	brush box, bottom	4		SS/L81155	
46	LV6MT4/5970-99-803-7031	INSULATOR PLATE	brush box, top	4	26	SS/L81156	
47	LV6MT4/5977-99-803-7026	HOLDER, ELECTRICAL CONTACT BRUSH	right	2	27	SS/L81151	
48	LV6MT4/5977-99-803-7027	HOLDER, ELECTRICAL CONTACT BRUSH	left	2		SS/L81152	
49	LV6MT4/5305-99-803-7029	SCREW, SHOULDER	BA, steel, flat hd, no. 2 x 14.5 mm	4	28	SS/L81154	

Item No.	Catalogue Number	Item Name	Item Description	No. Off	Plate Ref.	Drawing No.	Remarks	L7
1		IGNITION SYSTEM - Contd				L4		
2		STARTER, - Contd						
3		HOUSING - Contd						
4	LV6MT4/2920-99-803-7028	SPRING, SPIRAL, TORSION	brush holder	4	29	SS/L81153	Brush holder spring	
5	G1/5310-99-944-0547	WASHER, LOCK	steel, single coil, sq section, Cd plated, 3/16 in.	4	30			
6	Z2/5305-99-941-9089	SCREW, MACHINE	BA, steel, flat fillister hd, Cd plated, no. 4 x 1/2 in.	8	31		Clamping strip	
7	Z2/5310-99-120-0079	WASHER, LOCK	steel, single coil, sq section, Cd plated, 5/32 in.	8				
8	LV6MT4/5977-99-803-7059	BRUSH, ELECTRICAL CONTACT		4	32		CE	
9	LV6MT7/3110-99-950-1179	BEARING, BALL, JOURNAL	single row, 3/4 in. id x 1-5/8 in. od x 5/16 in. w, '00' fit	1	33			
10	LV6MT4/5310-99-805-7053	NUT, FLAIN, HEXAGON	CE bearing	1	34	SS/L81219		
11	LV6MT4/5305-99-803-7940	SCREW, MACHINE	commutator nut	1	35	SS/4033020		
12	LV6MT4/5940-99-804-1019	TERMINAL, LUG	w/cable	1		SS/LA81227		
13	Y3/6145-99-945-5074	WIRE, ELECTRICAL	single, 120/0.012 in., braided	as req				
14	LV6MT4/5325-99-803-7048	GROMMET, RUBBER	12 mm id x 15 mm groove od x 8 mm groove w	2	36	SS/L81210		
15	LV6MT4/5940-99-805-0902	TERMINAL POST	pos	1	37	SS/L81206		
16	LV6MT4/5940-99-805-0901	TERMINAL POST	neg	1	38	SS/L81203		
17	LV6MT4/2920-99-803-7047	INSULATION, TERMINAL	pos post	1	39	SS/L81209		
18	LV6MT4/2920-99-803-7046	INSULATION, TERMINAL	neg post	1	40	SS/L81208		
19	LV6MT4/5310-99-803-7049	WASHER, FLAT	brass, 9.9 mm	2	41	SS/L81211		
20	LV6MT4/5310-99-803-7368	NUT, SELF-LOCKING, HEXAGON	BSF, nylon insert, 3/16 in.	2	42	SS/101113		
21	LV6MT4/SS/L81213	WASHER, NONMETALLIC	sealing terminal	2	43			
22	LV6MT4/5310-99-803-7045	PLATE, WASHER, PLAIN	pos terminal	1	44	SS/L81207		
23	Z2/5305-99-941-8907	SCREW, MACHINE	BA, steel, flat fillister hd, Cd plated, no. 2 x 1-1/2 in.	2	45			
24	G1/5310-99-944-0547	WASHER, LOCK	steel, single coil, sq section, Cd plated, 3/16 in.	2	46			
25	LV6MT4/2920-99-803-7245	COIL, STARTER		1	47	SS/LA87969		
26	LV6MT4/2920-99-804-1475	SLEEVING, SOLENOID BODY		1	48	SS/L87981		
27	LV6MT4/2920-99-803-7241	COIL, SOLENOID		1	49	SS/LA87963		
28	LV6MT4/5330-99-803-7055	WASHER, NONMETALLIC	paper, adjusting coil	as req	50	SS/L81221		
29	LV6MT4/2920-99-803-7242	END SHIELD, ELECTRICAL ROTATING EQUIPMENT		1	51	SS/LA87964		
30	Z2/5305-99-941-8871	SCREW, MACHINE	BA, steel, flat esk hd, Cd plated, no. 2 x 1/2 in.	4	53			
31	Z2/5310-99-900-7003	WASHER, LOCK	steel, ext, flat, Cd plated 0.188 in.	4	54			
32	LV6MT4/2920-99-803-7247	PLUNGER, SOLENOID		1	55	SS/LA87980		
33	LV6MT4/2920-99-803-7240	LEVER AND BRACKET ASSEMBLY		1	56	SS/LA87960		
34	Z2/5305-99-941-9195	SCREW, MACHINE	BA, steel, flat fillister hd, Cd plated, no. 4 x 3/8 in.	2				
35	Z2/5310-99-120-0079	WASHER, LOCK	steel, single coil, sq section, Cd plated, 5/32 in.	2				
36	LV6MT4/5315-99-804-1470	PIN, SHOULDER, HEADLESS	steel, 6.35 mm dia x 140.10 mm lg	1	57	SS/42588	Push rod	
37	LV6MT4/5315-99-803-7915	PIN, STRAIGHT, HEADLESS	steel 0.187 in. dia x 25.1 mm lg	1	58	SS/34786/1		Buffer rod
38	LV6MT4/2920-99-803-7909	SPRING, HELICAL, COMPRESSION	buffer rod	1	59	SS/34039/1		
39	LV6MT4/5315-99-804-1464	PIN, STRAIGHT, HEADLESS	steel, 7.94 mm dia x 89.10 mm lg	as req	60	SS/40733	Alternatives for setting drive gear	
40	LV6MT4/5315-99-804-1465	PIN, STRAIGHT, HEADLESS	steel, 7.94 mm dia x 89.60 mm lg					SS/40734
41	LV6MT4/5315-99-804-1466	PIN, STRAIGHT, HEADLESS	steel, 7.94 mm dia x 90.1 mm lg			SS/40735		
42	Z2/5305-99-948-6638	SCREW, MACHINE	BA, steel, flat esk hd, Cd plated, no. 0 x 3/4 in.	2			Solenoid body to hsg	
43	G1/5310-99-120-9093	WASHER, LOCK	steel, esk, ext, zinc coated 1/4 in.	2				
44	LV6MT4/2920-99-803-7172	RELAY, ARMATURE		1	61-85	SS/LA83170		
45	NP	SWITCH ASSEMBLY		1	61-82	SS/LA82930		
46	LV6MT4/2920-99-803-7166	COIL ASSEMBLY, RELAY	w/fixed contact	1	62-68	SS/LA83162		
47	LV6MT4/2920-99-803-7144	COIL RELAY		1	62	SS/LA82941		
48	LV6MT4/2920-99-803-7173	CONTACT, ELECTRICAL	pos	1	65	SS/LA83343		
49	LV6MT4/2920-99-803-7034	CONTACT, ELECTRICAL	neg	1		SS/LA81179		
50	Z2/5310-99-941-6868	WASHER, FLAT	steel, Cd plated, BA, no. 4	4				

Item No.	Catalogue Number	Item Name	Item Description	No. Off	Plate Ref.	Drawing No.	Remarks	LB
1		IGNITION SYSTEM - Contd				L4		
2		STARTER - Contd						
3		RELAY, ARMATURE - Contd						
4		SWITCH ASSEMBLY - Contd						
5		COIL ASSEMBLY						
6	LV6MT4/5306-99-803-7148	RELAY - Contd	relay to housing	1	66	SS/L82947		
7	G1/5310-99-941-1298	BOLT, MACHINE	UNF, steel, lock, Cd plated,	1	67			
8	LV6MT4/2920-99-803-8604	NUT, PLAIN, HEXAGON	3/8 in.	1	68	SS/L70785/1		
9	LV6MT4/2920-99-804-0461	LEVER, TRIP	w/bearing and pin	1	69	SS/A40569		
10	G1/5315-99-942-3920	PLUNGER, SOLENOID						
11	LV6MT4/5340-99-804-0462	PIN, GROOVED, HEADLESS	steel, GP5, 3/32 in. x 1 in.	1			Solenoid plunger	
12	LV6MT4/2920-99-803-7126	SHIM	plastic 10 mm id x 0.12 in. thk	as req	70	SS/40570		
13	LV6MT4/2920-99-803-7165	SPRING, HELICAL, COMPRESSION	armature return	1	71	SS/L82530		
14	LV6MT4/2920-99-803-7127	CONTACT ASSEMBLY, ELECTRICAL	moving	1	72	SS/LA83161		
15	LV6MT4/5310-99-803-7150	SPRING, HELICAL, COMPRESSION	contact	1	73	SS/L82531		
16	G1/5315-99-120-2566	NUT, SLEEVE	retaining armature	1	74	SS/L82952		
17	LV6MT4/5310-99-803-7151	PIN, COTTER, SPLIT	steel, phosphated, 1/16 in. x 1-1/8 in.	1	75			
18	G1/5310-99-101-6807	NUT, CONE SEAT, HEXAGON	moving contact	2	76	SS/L82953		
19	LV6MT4/2920-99-803-7914	NUT, PLAIN, HEXAGON	BA, steel, lock, Cd plated, no. 2	2	77			
20	LV6MT4/2920-99-803-7160	SPRING, HELICAL, COMPRESSION	trip lever return	1		SS/34193/1		
21	LV6MT4/2920-99-803-7161	STOP, TRIP LEVER		1	78	SS/L83033		
22	LV6MT4/2920-99-804-1311	PLATE, ADJUSTING	trip lever	1		SS/L83035		
23	LV6MT4/5340-99-803-7199	PLATE, GUIDE	trip lever	1	79	SS/L83034		
24	Z2/5305-99-941-9194	SHIM	steel, 4-8mm id x 0.304 mm thk	4	80	SS/L84697		
25	Z2/5310-99-941-6866	SCREW, MACHINE	BA, steel, flat fillister hd, Cd plated, no. 2 x 3/8 in.	2	81			
26	Z2/5310-99-100-6946	WASHER, FLAT	steel, Cd plated, BA, no. 2	2				
27	LV6MT4/5330-99-803-7051	WASHER, LOCK	steel, int, flat, Cd plated, BA, no. 2	2	82			
28	G1/5310-99-941-8155	WASHER, NONMETALLIC	synthetic rubber, 9.5 mm	1	83	SS/L81214	Relay switch to housing	
29	G1/5310-99-941-1298	WASHER, LOCK	steel, int, flat, Cd plated, 3/8 in.	1	84			
30	Z2/5305-99-941-8907	NUT, PLAIN, HEXAGON	UNF, steel, lock, Cd plated, 3/8 in.	1	85			
31	Z2/5310-99-941-6866	SCREW, MACHINE	BA, steel, flat fillister hd, Cd plated, no. 2 x 1/2 in.	1			Switch terminal	
32	G1/5310-99-944-0547	WASHER, FLAT	steel, Cd plated, 0.197 in.	1				
33	LV6MT4/5305-99-101-5942	WASHER, LOCK	steel, single coil, sq section, Cd plated, 3/16 in.	1		SS/401105 CP	Pos contact plate terminal	
34	Z1/5935-99-940-9240	SCREW, MACHINE	BA, steel, flat fillister hd, Cd plated, no. 0 x 3/8 in.	1				
35	G1/5310-99-120-2166	PLUG, ELECTRICAL	M4, fixed, female shell, size 1/0, 2 pole	1	90		Relay switch	
36	G1/5310-99-941-0924	WASHER, LOCK	steel, single coil, sq section, zinc coated, 1/4 in.	4	91		Brush gear housing	
37	LV6MT4/2920-99-803-7254	NUT, PLAIN, HEXAGON	UNF, steel, zinc coated, 1/4 in.	4	92			
38	LV6MT4/2920-99-803-7043	COVER, ENGINE ELECTRICAL		1	93	SS/L89168		
39	LV6MT4/5305-99-803-7044	STARTER	cover	1	94	SS/L81201		
40	G1/5310-99-944-0548	RING, JOINTING	BSP, steel, hex hd, Cd plated, 1/4 in. x 25.15 mm	8	95	SS/L81202	Cover to brush gear housing	
41	LV6MT1/4730-99-801-1173	SCREW, EXTERNALLY RELIEVED BODY	steel, single coil, sq section, Cd plated, 1/4 in.	8	96			
42	G1/5310-99-913-3207	WASHER, FLAT	BSP. F, brass, hex hd, Cd plated, 1/8 in.	2	97			
43	LV6MT4/SS/L72492	DRIVE, ENGINE, ELECTRICAL	Al, 0.390 in.	2	98			
44	LV6MT4/5315-99-804-1020	STARTER	rh	1	99		Drive gear	
45	LV6MT4/2920-99-803-8611	KEY, MACHINE	steel, 10.85 mm x 26 mm	1	100	SS/41134 SS/L70968/1		
		SPRING HELICAL, COMPRESSION	drive pinion return	1	101			

Item No	Catalogue Number	Item Name	Item Description	No. Off	Plate Ref.	Drawing No.	Remarks	19
1		IGNITION SYSTEM - Contd				L4		
2		STARTER - Contd						
3	LV6MT4/2920-99-804-1021	SEAT, COMPRESSION HELICAL SPRING	drive pinion	1	102	SS/41135		
4	LV6MT4/2920-99-803-8629	PLUG, RETAINING	drive pinion return spring	1	103	SS/L73185/1		
5	LV6MT4/5315-99-803-8628	PIN, GROOVED, HEADLESS	retaining plug	1	104	SS/L73182/1		
6	LV6MT1/9905-99-901-3287	PLATE, MODIFICATION RECORD		1	105	FV133030		
7	G1/5305-99-941-6205	SCREW, DRIVE	steel, rd hd, type U, zinc coated, no. 0 x 3/16 in.	4				
8	LV6MT4/2920-99-803-7111	PROTECTOR, TERMINAL PLUG		1	106	SS/L81992	Mod plate Relay switch plug Pos and neg terminal posts	
9	LV6MT4/5935-99-803-7112	PROTECTOR, TERMINAL PLUG		2	107	SS/L82001		
10						L5		
11	LV6MT4/2920-99-804-1406	STARTER, ENGINE, ELECTRICAL YOKE	24V, no. 1, Wk 3/1	1	1-113	FV342511		
12	NP			1	1-4	CB/5877/43		
13	LV6MT4/2920-99-803-5687	WINDING, MOTOR FIELD	24V, main	1 set	2	CB/P242		
14	LV6MT4/2920-99-803-5689	WINDING, MOTOR FIELD	24V, auxiliary and shunt	1 set	3	CB/P243		
15	LV6MT4/5305-99-803-9694	SCREW, MACHINE	BSW, steel, flat oak hd, zinc coated, 3/8 in. x 3/4 in.	4	4	Z/5333A/ 141A	Yoke poles	
16	NP	ARMATURE		1	5-11	CB/5877/17A		
17	LV6MT4/2920-99-803-5795	ARMATURE	24V	1	5	CB/5877/8A		
18	LV6MT4/2920-99-804-0058	BEARING, SLEEVE	bronze, 0.654 in. id x 0.770 in. od x 0.748 in. lg	1		CB/5586/160		
19	LV6MT4/2920-99-804-0073	PLUNGER ASSEMBLY, ARMATURE	w/spring	1	7-8	CB/5586/ 344B		
20	LV6MT4/5330-99-803-9767	WASHER, NONMETALLIC	felt, 15.5 mm id x 23.5 mm od x 2.5 mm thk	1	9	CB/5339/ 316		
21	LV6MT4/2920-99-803-8428	PLATE, TRIPPING		1	10	CB/5877/46		
22	LV6MT4/5305-99-804-1404	SCREW, MACHINE	SI, steel, flat oak hd, zinc coated, 3.5 mm x 6 mm	3	11	CB/NS65/6/ 21		
23	LV6MT4/2920-99-803-8432	ENDSHIELD, ELECTRICAL ROTATING EQUIPMENT	GE	1	12-25	CB/5877/77		
24	LV6MT4/2920-99-803-8190	SPRING, SPIRAL TORSION	brush tension	2	17	CB/5586/ 10B		
25	LV6MT4/2920-99-804-0061	SUPPORT, BEARING, ENGINE STARTER ARMATURE		1	24	CB/5586/ 207A		
26	LV6MT4/5307-99-804-1513	STUD, PLAIN	UNC/UNF, steel, zinc coated, 1/4 in. x 1.112 in.	8	25	CB/5876B/ 46		
27	LV6MT4/5330-99-803-6798	WASHER, NONMETALLIC	fibre, 16.6 mm id x 34 mm od x 1.5 mm thk	1		CB/5586/7	GE support	
28	LV6MT4/5940-99-805-1098	TERMINAL, QUICK DISCONNECT	pos	1	26-31	CB/5658/ 232		
29	LV6MT4/5970-99-803-8431	INSULATING PLATE	plastic, 1-3/4 in. x 15/16 in. x 1/4 in.	1	27	CB/5877/ 70		
30	LV6MT4/5325-99-803-8426	GROMMET, RUBBER	0.472 in. id, 0.307 in. groove w	1	28	CB/5877/21		
31	LV6MT4/5310-99-803-9796	WASHER, FLAT	brass, 0.39 in. id	1	29	CB/5339/888		
32	G1/5310-99-941-7126	NUT, SELF-LOCKING, HEXAGON	UNF, steel, nylon insert, Cd plated, 3/8 in.	1	30			
33	LV6MT4/5330-99-803-9795	WASHER, NONMETALLIC	rubber, 0.295 in. id x 0.062 in. thk	1	31	CB/5339/885		
34								
35	LV6MT4/5940-99-805-1099	TERMINAL QUICK DISCONNECT	neg	1	32-37	CB/5658/ 232A		
36	LV6MT4/5970-99-803-8431	INSULATING PLATE	plastic, 1-3/4 in. x 15/16 in. x 1/4 in.	1	33	CB/5877/70		
37	LV6MT4/5310-99-803-9796	WASHER, FLAT	brass, 0.39 in.	1	34	CB/5339/888		
38	LV6MT4/5325-99-803-8426	GROMMET, RUBBER	0.472 in. id, 0.307 in. groove w	1	35	CB/5877/21		
39	LV6MT4/5330-99-803-9795	WASHER, NONMETALLIC	rubber, 0.295 in. id x 0.062 in. thk	1	36	CB/5339/ 885		
40	G1/5310-99-941-7126	NUT, SELF-LOCKING, HEXAGON	UNF, steel, nylon insert, Cd plated, 3/8 in.	1	37			
41	LV6MT4/2920-99-804-0053	CLUTCH, FRICTION		1	38-46	CB/5586/ 123C		
42	LV6MT4/2920-99-804-0046	CLUTCH HALF, FRICTION	outer	1	38	CB/5586/111		
43	LV6MT4/2920-99-803-8123	PLATE, PRESSURE, FRICTION CLUTCH	inner	2	39	CB/5549/38		
44	LV6MT4/2920-99-804-1246	PLATE, PRESSURE, FRICTION CLUTCH	outer	1	40	CB/5549A/36		
45	LV6MT4/5340-99-803-8137	SHIM	steel, 47 mm id x 0.100 mm thk	3	41	CB/5549/97		
46	LV6MT4/5340-99-803-8138	SHIM	steel, 47 mm id x 0.150 mm thk	3		CB/5549/98		

Item No.	Catalogue Number	Item Name	Item Description	No. Off	Plate Ref.	Drawing No.	Remarks
1		IGNITION SYSTEM - Contd				L5	
2		STARTER - Contd					
3		CLUTCH, FRICTION - Contd					
4	LV6MT4/5340-99-804-0055	RING, RETAINING	steel, int, 42 mm	1	42	CB/5586/131	
5	LV6MT4/2920-99-803-8136	PLATE, CLUTCH	outer	5	43	CB/5549/96	
6	LV6MT4/2920-99-803-8135	PLATE, CLUTCH	inner	5	44	CB/5549/95	
7	LV6MT4/2920-99-803-9915	SPRING, HELICAL, COMPRESSION	clutch plate	2	45	CB/5549/253B	
8	LV6MT4/2920-99-804-0047	CLUTCH HALF, FRICTION	inner	1	46	CB/5586/113	
9	LV6MT4/2920-99-804-1407	END SHIELD, ELECTRICAL ROTATING EQUIPMENT	DE	1	47-56	CB/5877/54C	
10	LV6MT4/2920-99-803-9967	BEARING, SLEEVE	bi-metal, 1.368 in. id x 1.535 in. od x 1.875 in. lg	1	48	CB/5549/610	
11	LV6MT4/2920-99-803-9891	SPRING, HELICAL, COMPRESSION	lubricator	1	53	CB/5549/125	
12	G1/5310-99-913-3207	WASHER, FLAT	Al, 0.39 in. id	3	54		} Test plugs
13	LV6MT4/4730-99-805-2984	PLUG, SCREWED	BSP, steel, zinc coated, 1/8 in.	3	55	CB/5876/54	
14	LV6MT4/5305-99-803-8012	SCREW, MACHINE	SI, steel, flat fillister hd, zinc coated, 6 mm x 148 mm	4	57	CB/5333/94E	
15	LV6MT4/2920-99-804-8827	RELAY, SOLENOID	24V	1	58-71	CB/BBNFA44	
16	NP	BASE	w/contacts	1	58-61	CB/5555/49N	
17	LV6MT4/2920-99-804-9277	TRIGGER AND PLATE, RELAY SOLENOID		1	59	CB/5555/288	
18	LV6MT4/5970-99-803-8148	INSULATING BUSHING	ebonite, 4.1 mm id x 6.5 mm od x 2.7 mm lg	4		CB/5555/39	
19	LV6MT4/2920-99-803-8143	CONTACT ASSEMBLY, ELECTRICAL	neg	1	60	CB/5555/30	
20	LV6MT4/2920-99-803-8144	CONTACT ASSEMBLY, ELECTRICAL	pos	1	61	CB/5555/32	
21	LV6MT4/5330-99-803-9758	WASHER, NONMETALLIC	plastic, 4.2 mm id x 11 mm od x 1 mm thk	1		CB/5339/191	
22	LV6MT4/5305-99-803-9713	SCREW, MACHINE	SI, steel, hex hd, zinc coated, 4 mm x 13 mm	4		CB/5334/186	
23	G1/5310-99-944-0547	WASHER, LOCK	steel, single coil, sq section, Cd plated, 3/16 in.	4			
24	Z2/5310-99-941-6866	WASHER, FLAT	steel, Cd plated, BA no. 2	4			
25	LV6MT4/2920-99-804-9429	SPRING, HELICAL, COMPRESSION	solenoid relay	1	62	CB/5555/35	
26	LV6MT4/5330-99-804-9206	WASHER, NONMETALLIC	plastic, 5.58 mm id x 18.5 mm od x 1 mm thk	1	63	CB/5555/41	
27	LV6MT4/5330-99-803-9770	SHIM	plastic, 6 mm id x 1 mm thk	64		CB/5339/373	
28	LV6MT4/5330-99-803-9771	SHIM	plastic 6 mm id x 0.1 mm thk			CB/5339/373A	
29	LV6MT4/5330-99-803-9772	SHIM	plastic, 6 mm id x 0.2 mm thk			CB/5339/373B	
30	LV6MT4/5330-99-803-9773	SHIM	plastic, 6 mm id x 0.3 mm thk			CB/5339/373C	
31	LV6MT4/2920-99-803-8145	CONTACT, ELECTRICAL	moving	1	65	CB/5555/34	
32	LV6MT4/2920-99-803-8149	SPRING, LEAF	solenoid	1	66	CB/5555/40	
33	LV6MT4/2920-99-803-8141	SLEEVE AND BUSH, SOLENOID RELAY		1	67	CB/5555/18	
34	LV6MT4/5340-99-803-8262	SPRING, HELICAL, COMPRESSION	sleeve	1		CB/5632/22	
35	LV6MT4/2920-99-803-8146	CATCH, TRIGGER	solenoid	1	68	CB/5555/36	
36	LV6MT4/2920-99-803-9977	WASHER, KEY	steel, 0.200 in. id	1	70	CB/5555/286	} Moving contact to sleeve
37	LV6MT4/5310-99-803-7999	NUT, PLAIN, HEXAGON	SI, steel, zinc coated, 5 mm	1	71	CB/5330/78	
38	LV6MT4/5310-99-803-8430	PLATE, WASHER, PLAIN	copper, 16 mm x 25 mm x 0.112 mm thk	1	73	CB/5877/68	} Clamping pos contact
39	LV6MT1/5330-99-801-6684	RING, SEALING, TOROIDAL	rubber, 0.437 in. id x 0.070 in. h, 90 deg hardness	1	76		
40	G1/5310-99-941-9141	WASHER, LOCK	steel, int, flat, Cd plated, 5/16 in.	1	77		} Relay to commutator end shield
41	G1/5310-99-941-8386	WASHER, FLAT	steel, zinc coated, 5/16 in.	1	78		
42	LV6MT4/5310-99-803-9690	NUT, PLAIN, CAP	UNF, steel, zinc coated, 5/16 in.	1	79	CB/5330/289	
43	LV6MT4/5305-99-803-5733	SCREW, MACHINE	BA, brass, flat fillister hd, tin plated, no. 2 x 3/8 in.	1	80	CB/NS39/5T	} Relay control arm
44	Z2/5310-99-100-9786	WASHER, LOCK	steel, int, flat, Cd plated, no. 2	1	81		
45	LV6MT4/5975-99-802-9462	BRUSH SET, ELECTRICAL CONTACT	carbon	2	82	CB/6068/13	
46	LV6MT4/5305-99-803-5734	SCREW, MACHINE	BA, brass, flat fillister hd, tin plated, no. 2 x 7/16 in.	2	83	CB/NS39/9T	} Pos and neg brush leads
47	Z2/5310-99-100-9786	WASHER, LOCK	steel, int, flat, Cd plated, no. 2	2	84		
48	G1/5310-99-941-8179	WASHER, FLAT	steel, Cd plated, 0.190 in.	2	85		} Armature plunger shaft
49	G1/5310-99-941-8634	WASHER, FLAT	steel, zinc coated, 1/4 in.	1	91		
50	G1/5310-99-943-8479	WASHER, LOCK	steel, int, flat, zinc coated, 1/4 in.	1	92		
51	G1/5310-99-941-0924	NUT, PLAIN, HEXAGON	UNF, steel, zinc coated, 1/4 in.	1	93		

Item No.	Catalogue Number	Item Name	Item Description	No. Off	Plate Ref.	Drawing No.	Remarks
1		IGNITION SYSTEM - Contd				L5	
2		STARTER - Contd					
3	Z1/5935-99-940-9240	PLUG, ELECTRICAL	M4, fixed, female shell, size 1/0, 2 pole	1	94		
4	LV6MT4/2920-99-803-8422	COVER, ENGINE ELECTRICAL STARTER	CE	1	97	CB/5877/13	
5	LV6MT4/5330-99-803-8427	RING, SEALING, TOROIDAL	rubber, 6.048 in. id x 0.150 in. h	1	98	CB/5877/26	
6	G1/5310-99-943-8479	WASHER, LOCK	steel, int, flat, zinc coated, 1/4 in.	8	99		Cover to end shield
7	G1/5310-99-941-0924	NUT, PLAIN, HEXAGON	UNF, steel, zinc coated, 1/4 in.	8	100		
8	LV6MT4/5330-99-803-8425	RING, SEALING, TOROIDAL	rubber, 3.175 in. id x 0.125 in. h	1	101	CB/5877/19	
9	LV6MT4/2920-99-803-9929	DRIVE, ENGINE, ELECTRICAL STARTER		1	102-103	CB/5549/306J	
10	LV6MT4/5330-99-803-9761	FELT, MECHANICAL, PREFORMED	14 mm id x 22 mm od x 2 mm thk	1	104	CB/5339/281	
11	LV6MT4/2920-99-803-9889	SPRING, HELICAL, COMPRESSION		1	106	CB/5549/100	
12	LV6MT4/5310-99-803-9764	WASHER, PLAT	steel, parkerised, 22.1 mm	1	107	CB/5339/303	
13	LV6MT4/5310-99-803-9765	WASHER, PLAT	steel, 14.5 mm	1	108	CB/5339A/312	
14	LV6MT4/5310-99-803-9808	WASHER, PLAT	steel, 12.8 mm	1	109	CB/NW2/153	
15	G1/5310-99-941-6313	NUT, PLAIN, HEXAGON	UNF, steel, lock, zinc coated, 1/2 in.	1	110		Armature shaft, d/e
16	G1/5310-99-941-0862	NUT, SLOTTED, HEXAGON	UNF, steel, zinc coated, 1/2 in.	1	111		
17	G1/5315-99-944-0182	PIN, COTTER, SPLIT	steel, phosphated, 1/8 in. x 1 in.	1	112		
18	LV6MT1/9905-99-901-3287	PLATE, MODIFICATION		1	113	FV133030	Securing mod plate
19	G1/5305-99-941-6205	SCREW, DRIVE	steel, rd hd, type U, zinc coated, no. 0 x 1/16 in.	4			
20							
21	LV10/2920-99-865-5341	CONDUIT ASSEMBLY, RIGID, ELECTRICAL	junction box to starter motor	1		FV142816	
22	NP	CABLE ASSEMBLY, ELECTRICAL	junction box to starter motor	1		FV141921	
23	Y3/6145-99-943-4824	CABLE, ELECTRICAL	insulated, glass braid, 40/0.0076 in. 12A, yellow	as req			
24	Z/5935-99-940-3238	SOCKET, ELECTRICAL	M4, free, male shell, size 1, 2 pole	1			
25	Z/5935-99-097-0058	GASKET	outlet, M4, straight, size 1	1			
26	Z1/5340-99-901-6812	BUSHING, RUBBER	M4, size 1, 2 pole	1			
27	Z1/5935-99-972-6109	BUSHING, RUBBER	0.600 in. od x 0.394 in. lg	1			
28							
29						L6	
30		AUXILIARY EQUIPMENT -					
31	LV6MT4/2920-99-803-5944	GENERATOR, ENGINE ACCESSORY	no. 1, Mk 2/1	1	1-64	FV157940	
32	NP	YOKE ASSEMBLY		1	1-12	CB/5876/56	
33	LV6MT4/5970-99-803-8418	INSULATOR, POLE PIECE		1		CB/5876/69	
34	LV6MT4/2920-99-803-5692	COIL, FIELD		1 set	2	CB/F248	
35	LV6MT4/5305-99-803-9694	SCREW, MACHINE	BSW, steel, csk hd, zinc coated, 3/8 in. x 3/4 in.	8	3	Z/5333A/141A	Pole pieces
36	LV6MT4/5307-99-803-8412	STUD, PLAIN	BA, steel, zinc coated, no. 2 x 0.781 in.	4	4	CB/5876/57	
37	LV6MT4/5340-99-803-8413	CAP-PLUG, PROTECTIVE, DUST AND MOISTURE SEAL	plug mounting	1	5	CB/5876/60	
38	Z1/5935-99-940-9989	PLUG, ELECTRICAL	M4, fixed, female shell, 3/0, 5 pole	1	7		
39	Z2/5310-99-120-2311	WASHER, LOCK	steel, int, flat, zinc coated, BA, no. 2	4	8		Plug to yoke
40	Z2/5310-99-101-2862	NUT, PLAIN, HEXAGON	BA, steel, zinc coated, no. 2	4	9		
41	LV6MT1/9905-99-901-3287	PLATE, MODIFICATION		1	10	FV133030	Mod plate to yoke
42	G1/5305-99-941-6205	SCREW, DRIVE	steel, rd hd, type U, zinc coated, no. 0 x 3/16 in.	4			
43	LV6MT4/2920-99-804-1473	INSULATOR, COMMUTATOR END		1	11-12	CB/5876/86	
44	LV6MT4/2920-99-803-5742	ARMATURE	24V	1	13	CB/A447	
45	LV6MT4/2920-99-803-8396	PLATE, RETAINING BEARING	CE	1	14	CB/5876/11	
46	LV6MT7/3110-99-950-0736	BEARING, PARALLEL ROLLER, JOURNAL	single row, 7/8 in. id x 2 in. od x 9/16 in. w	1	15		CE
47	LV6MT1/5340-99-910-8196	RING, RETAINING	steel, ext, 7/8 in.	1	16		C/e bearing
48	LV6MT4/2920-99-803-8403	SPACER, SLEEVE	steel, 1.127 in. id x 1.375 in. od x 0.353 in. lg	1	17	CB/5876/45	DE
49	LV6MT4/2920-99-803-8414	ENDSHIELD, ELECTRICAL ROTATING EQUIPMENT	DE	1	18	CB/5876/63	

Item No.	Catalogue Number	Item Name	Item Description	No. Off	Plate Ref.	Drawing No.	Remarks	L12
1		AUXILIARY EQUIPMENT - Contd				L6		
2		GENERATOR, ENGINE						
3	LV6MT7/3110-99-950-1246	ACCESSORY - Contd BEARING, BALL, JOURNAL	single row, 1-1/8 in. id x 2-1/2 in. od x 5/8 in. w '00'-fit	1	19		DE	
4	LV6MT4/2920-99-803-8395	PLATE, RETAINING, BEARING	DE	1	20	CB/5876/10	Retaining plate	
5	LV6MT4/5305-99-803-7967	SCREW, MACHINE	BA, steel, flat fillister hd, no. 2 x 1/2 in.	3	21			
6	LV6MT4/5310-99-803-8409	NUT, SELF-LOCKING, HEXAGON	DE bearing	1	23	CB/5876/50		
7	Z2/5305-99-941-9919	SCREW, MACHINE	BA, steel, flat oak hd, Cd plated, no. 4 x 1/4 in.	1	24			
8	LV6MT4/2920-99-803-8416	PLATE, RETAINING, BEARING	DE oil seal	1	25	CB/5876/65		
9	LV6MT4/5330-99-803-9789	WASHER, NONMETALLIC	felt, 0.969 in. id x 1.530 in. od x 0.219 in. thk	1	26	CB/5339/867		
10	LV6MT4/5310-99-803-9790	WASHER, FLAT	steel, 1.062 in.	1	27	CB/5339/870		
11	LV6MT1/5330-99-801-5065	SEAL, PLAIN, ENCASED	25 mm id x 4.7 mm od x 10 mm w	1	28			
12	LV6MT1/5330-99-912-9493	RING, SEALING, TOROIDAL	synthetic rubber, 2-1/4 in. id, 0.140 in. h, 60 deg BS hardness	1	29			
13	LV6MT4/5305-99-803-6666	SCREW, MACHINE	BA, steel, flat fillister hd, zinc coated, no. 2 x 5/8 in.	4	30	CB/MS37/ 1521	Retaining plate to endshield	
14	Z2/5310-99-120-2311	WASHER, LOCK	steel, int, flat, zinc coated, no. 2 BA	4	31			
15	LV6MT4/5330-99-803-8402	RING, SEALING, TOROIDAL	synthetic rubber, 5.563 in. id x 0.103 in. h	2	32	CB/5876-44	DE and CE shields	
16	LV6MT4/2920-99-803-8400	ENDSHIELD, ELECTRICAL						
17	LV6MT4/5307-99-803-8405	ROTATING EQUIPMENT STUD, PLAIN	w/brush gear UNC/UNF, steel, zinc coated, 1/4 in. x 1.033 in.	1	33-45	CB/5876/39		
18	LV6MT4/2920-99-803-8399	SPRING, BRUSH		4	34	CB/5876/46		
19	LV6MT4/5970-99-803-8398	INSULATOR, PLATE	brush box	2	35	CB/5876/34		
20	LV6MT4/5940-99-805-1011	TERMINAL POST	brush gear	4	36	CB/5876/33		
21	LV6MT4/5305-99-803-9714	SCREW, MACHINE	BA, brass, hex hd, tin plated, no. 2 x 1-5/8 in.	2	39	CB/5876/11A		
22	LV6MT4/5970-99-803-8229	INSULATOR, BUSHING	brush gear	2	40	CB/5334/196		
23	LV6MT4/5970-99-803-6744	INSULATOR, DISC	terminal	4	41	CB/5587/51		
24	G1/5310-99-101-7837	WASHER, FLAT	steel, zinc coated, 0.197 in.	8	42	CB/5063/6		
25	Z2/5310-99-120-2311	WASHER, LOCK	steel, int, flat, zinc coated, no. 2 BA	4	43		Field end brush lead to holders	
26	Z2/5310-99-912-9527	NUT, PLAIN, HEXAGON	BA, brass, tin plated, no. 2	10	44			
27	LV6MT4/5977-99-803-6922	BRUSH, ELECTRICAL CONTACT		10	45			
28	LV6MT4/5325-99-804-1472	GROMMET, RUBBER	CE shield	2	46	CB/5876/32		
29	G1/5305-99-100-7753	SCREW, MACHINE	BA, steel, flat fillister hd, Cd plated, no. 2 x 1-1/4 in.	1	47	CB/5876/84	CE bearing plate to shield	
30	Z2/5310-99-120-2311	WASHER, LOCK	steel, int, flat, zinc coated, no. 2 BA	3	48			
31	LV6MT4/5307-99-803-8411	STUD, PLAIN	UNF, steel, zinc coated, 3/8 in. x 9.300 in.	3	49			
32	G1/5310-99-120-2521	WASHER, LOCK	steel, int, flat, zinc coated, 3/8 in.	2	53	CB/5876/52	Endshield to yoke	
33	G1/5310-99-941-0926	NUT, PLAIN, HEXAGON	UNF, steel, zinc coated, 3/8 in.	2	54			
34	LV6MT4/2920-99-803-8407	COVER, COMMUTATOR END		2	55			
35	LV6MT1/5330-99-943-0632	RING, SEALING, TOROIDAL	synthetic rubber, 0.301 in. id x 0.070 in. h, deg BS hardness	1	56-59	CB/5876/48		
36	LV6MT4/5310-99-803-8406	NUT, SLKVE	UNF, steel, zinc coated, 1/4 in.	4	57			
37	G1/5310-99-913-3207	WASHER, FLAT	Al, 0.39 in. id	4	59	CB/5876/47	Cover to shield	
38	LV6MT4/4730-99-805-2984	PLUG, SCREWED	BSP, steel, zinc coated, 1/8 in.	2	61	CB/5876/54	Test plug	
39	LV6MT1/5315-99-943-5957	KEY, WOODRUFF	steel, 3/4 in. dia x 3/16 in. w	2	62			
40	G1/5310-99-941-0864	NUT, SLOTTED, HEXAGON	UNF, steel, zinc coated, 5/8 in.	1	63		Armature shaft	
41	G1/5315-99-944-0184	PIN, COTTER, SPLIT	steel, phosphated, 1/8 in. x 1-3/4 in.	1	64			
42	LV10/2910-99-865-4482	PULLEY, GROOVE	generator	1		FV142963		
43	LV10/3030-99-865-4962	BELTS, V, ENDLESS, MATCHED SET		1		FV144503	Set of 2	
44						L7		
45	LV6MT4/2920-99-803-5695	GENERATOR, ENGINE ACCESSORY	no. 2, Mk 2	1	1-143	FV175866		
46	NP	YOKE ASSEMBLY		1	1-7	CB/5899/14		
47	LV6MT4/2920-99-803-5696	COIL, FIELD, MAIN		1set	2	CB/F255	4 per set	
48	LV6MT4/5305-99-803-9699	SCREW, MACHINE	UNF, steel, flat oak hd, zinc coated, 5/16 in. x 0.493 in.	8	4	CB/5333/153		

Item No.	Catalogue Number	Item Name	Item Description	No. Off	Plate Ref.	Drawing No.	Remarks
1		AUXILIARY EQUIPMENT - Contd				L7	
2		GENERATOR, ENGINE					
3		ACCESSORY - Contd					
4	LV6MT4/2920-99-803-5697	YOKE ASSEMBLY - Contd		1 set	5	CB/F256	2 per set
5	LV6MT4/5305-99-803-6069	COIL, INTERPOLE	BA, steel, flat oak hd, zinc coated, no. 2 x 3/4 in.	4	7	CB/NS100/921	
6	LV6MT4/5910-99-803-8548	SCREW, MACHINE	interpole coil	2	8	CB/5899/10	
7	LV6MT4/2920-99-803-5751	INSULATOR		1		CB/A467	
8	LV6MT4/5977-99-804-1403	ARMATURE					
9	LV6MT4/2920-99-804-1415	ENDSHIELD, ELECTRICAL	w/brushgear	1	9-24	CB/5899/100	
10	G1/5315-99-120-2061	ROTATING EQUIPMENT		4	13	CB/5899/99	Spring spindle
11	LV6MT4/5977-99-804-1418	SPRING, BRUSH	steel, phosphated, 3/64 in. x 1/2 in.	4			
12	Z2/5305-99-941-9089	PIN, COTTER, SPLIT		4	15	CB/5899/108	
13	Z2/5305-99-101-0616	BRUSH, ELECTRICAL		4	17		Brush leads and holders
14	G1/5310-99-944-0546	CONTACT		4	18		
15	Z2/5310-99-941-8708	SCREW, MACHINE	BA, steel, flat fillister hd, Cd plated, no. 4 x 1/2 in.	4	19		
16	G1/5310-99-944-0547	WASHER, LOCK	BA, brass, flat fillister hd, NP, no. 4 x 7/16 in.	8	20		Holder and spring pins
17	Z2/5310-99-101-0698	WASHER, FLAT	steel, single coil, sq section, Cd plated, 5/32 in.	8	21		
18	Z2/5310-99-941-8710	WASHER, LOCK	brass, NP, no. 2 BA	8	22		
19	G1/5310-99-944-0546	WASHER, LOCK	steel, single coil, sq section, Cd plated, 3/16 in.	4	23		Terminals
20	Z2/5310-99-101-0698	NUT, PLAIN, HEXAGON	BA, brass, NP, no. 2	4	24		
21	Z2/5310-99-941-8710	WASHER, FLAT	brass, NP, no. 4 BA	4	25	CB/5899/70	
22	G1/5310-99-944-0546	WASHER, LOCK	steel, single coil, sq section, Cd plated, 5/32 in.	4	26		
23	Z2/5310-99-915-6281	NUT, PLAIN, HEXAGON	BA, brass, Cd plated, no.4	1	27		
24	LV6MT4/2920-99-803-8566	ENDSHIELD, ELECTRICAL	commutator	1	28	CB/5899/49	
25	LV6MT4/CB/5899/46	ROTATING EQUIPMENT	spacer	1	29	CB/5333/155	Plate to endshield
26	LV6MT7/3110-99-950-0833	BEARING, PARALLEL ROLLER	CE	1	30		Brushgear endshield to commutator cover
27	LV6MT4/2920-99-803-8554	JOURNAL	15 mm id x 35 mm od x 11 mm w	1	31		
28	LV6MT4/5305-99-805-6214	PLATE, RETAINING, BEARING	CE	1	32		
29	Z2/5305-99-941-9089	SCREW, MACHINE	BA, steel, flat oak hd, zinc coated, no. 4 x 1/2 in.	1	33	CB/5339/935	Fan
30	G1/5310-99-944-0546	WASHER, LOCK	BA, steel, flat fillister hd, Cd plated, no. 4 x 1/2 in.	4	34		
31	Z2/5310-99-101-1089	WASHER, FLAT	steel, single coil, sq section, Cd plated, 5/32 in.	4	35		
32	LV6MT4/5340-99-803-9805	SHIM	steel, Cd plated, no.4 BA	4	36		
33	LV6MT4/5315-99-803-8553	KEY, MACHINE	brass, laminated, 0.046 in. thk	1	37		
34	LV6MT4/2920-99-803-8568	FAN, DYNAMO	steel, sq, 1/8 in. x 15.25 mm lg	1	38-40	CB/5899/68	Main frame
35	LV6MT4/5310-99-803-8555	WASHER, KEY	steel, int, tab, zinc coated, 11.35 mm	1	41	CB/5899A/59	
36	LV6MT4/CB5330/280	NUT, PLAIN, HEXAGON	fan	1	42	CB/5899/61	
37	LV6MT4/2920-99-803-8565	ENDSHIELD, ELECTRICAL	w/adaptor	1	43		
38	LV6MT4/2920-99-803-8599	ROTATING EQUIPMENT					
39	LV6MT4/5340-99-803-8561	GAUZE, AIR OUTLET	air outlet gauze	1	44	CB/5899/73	Main frame to CE shield
40	LV6MT4/5307-99-803-9749	RING, RETAINING	BA, steel, zinc coated, no. 2 x 24 mm	6	45		
41	LV6MT4/5330-99-803-8567	STUD, PLAIN	synthetic, rubber, 43.5 mm	1	47		Electrical plug mounting to frame
42	Z2/5305-99-101-0613	WASHER, NONMETALLIC	BA, steel, flat fillister hd, NP, no. 2 x 5/8 in.	4	48		
43	G1/5310-99-944-0547	SCREW, MACHINE	steel, single coil, sq section, Cd plated, 3/16 in.	4			
44	G1/5310-99-941-8179	WASHER, LOCK	steel, Cd plated, 3/16 in.	4			
45	Z1/5935-99-940-9989	PLUG, ELECTRICAL	M4, fixed, female shell, 3/0, 5 pole	1	49		Mod plate to frame
46	LV6MT1/9905-99-901-3287	PLATE, MODIFICATION		1		FV133030	
47	G1/5305-99-941-6205	RECORD		4			
48	G1/5310-99-913-3207	SCREW, DRIVE	steel, rd hd, type U, zinc coated, no. 0 x 3/16 in.	2	50	CB/5876/54	Test plug
49	LV6MT4/4730-99-805-2984	WASHER, FLAT	Al, 0.39 in. id	1	51-52	CE/5899/76	
		PLUG, SCREWED	BSP, steel, zinc coated, 1/8 in.	1	53	SW/A6740	
		GEARBOX		1		SW/31308	
		SEAL, CENTRIFUGAL, OIL	output annulus	1			
		GASKET					

Item No.	Catalogue Number	Item Name	Item Description	No. Off	Plate Ref.	Drawing No.	Remarks
1		AUXILIARY EQUIPMENT - Contd				L7	
2		GENERATOR - Contd					
3		GEARBOX - Contd					
4	LV6MT4/2520-99-803-6514	GEAR, INTERNAL	output	1	54	SW/31887	
5	LV6MT7/3110-99-950-0056	BEARING BALL, JOURNAL	single row, 35 mm id x 72 mm od x 17 mm w, '00' fit	1	55		
6	LV6MT4/2520-99-803-6517	DEFLECTOR, DIRT AND LIQUID	output gear	1	56	SW/31905	
7	LV6MT4/5305-99-805-6805	SCREW, MACHINE	UNF, steel, hex hd, Cd plated, 1/4 in. x 11/16 in.	6	57		
8	LV6MT4/5310-99-804-1436	WASHER, FLAT	copper, Cd plated, 17/64 in.	6	58	SW/31901	
9	LV6MT4/2530-99-803-6359	GEAR, HELICAL	output	1	59	SW/27678	
10	LV6MT4/5315-99-803-6515	KEY, MACHINE	steel, gib hd, 0.156 in. sq x 2 in. lg	1	60	SW/31903	Sunwheel Armature shaft
11	LV6MT4/5310-99-803-6369	WASHER, KEY	steel, ext tab, 3/4 in.	1	61	SW/27982	
12	LV6MT4/5310-99-803-6508	NUT, PLAIN, HEXAGON	UNF, steel, 3/4 in.	1	62	SW/31877	
13	LV6MT4/2920-99-803-6516	BUSH, LOCATING	output carrier	1	63	SW/31904	
14	LV6MT4/2520-99-803-5899	CARRIER, PLANET GEAR	output	1	64-68	SW/3793A	
15	LV6MT4/2520-99-803-6430	BEARING, SLEEVE	lead/bronze, 0.406 in. id x 0.562 in. od x 0.730 in. lg	3		SW/30134	
16	LV6MT4/2520-99-803-6354	GEAR, HELICAL	steel, 16 teeth	3	65	SW/27668	
17	LV6MT4/2520-99-803-6513	GEAR, SPUR	steel, 60 teeth	1	66	SW/31885	
18	LV6MT4/5306-99-803-6506	BOLT, MACHINE	UNF, steel, hex hd, 1/4 in. x 0.858 in.	3	67	SW/31868	
19	LV6MT4/5310-99-803-6432	WASHER, KEY	steel, ext tab, 0.281 in.	3	68	SW/30233	
20	LV6MT4/2520-99-803-5900	FREEWHEEL ASSEMBLY		1	69-72	SW/3794	
21	LV6MT7/3110-99-805-9786	ROLLER, BEARING	steel, 5/16 in. dia x 5/16 in. lg	8	71		
22	LV6MT4/2520-99-804-0713	CLUTCH, FRICTION		1	73-90	SW/4635A	
23	LV6MT4/2520-99-803-6350	BEARING, SLEEVE	clutch	1	73	SW/27518	
24	LV6MT4/2520-99-803-5856	PLATE, CLUTCH		1	74-75	SW/2823	
25	LV6MT4/2520-99-803-5906	CLUTCH MEMBER, OUTER	w/studs	1	76-77	SW/4002A	
26	LV6MT4/2520-99-803-6361	CLUTCH MEMBER, INNER		1	78	SW/27683	
27	LV6MT4/5340-99-803-6362	SPRING, HELICAL, COMPRESSION	clutch	24	79	SW/27684	
28	LV6MT4/2520-99-803-6363	PLATE, SPRING RETAINING		1	80	SW/27685	
29	LV6MT4/2920-99-803-6351	PLATE, LOCK	clutch	1	81	SW/32756	
30	LV6MT4/2520-99-803-6483	FLYWEIGHT SET, CLUTCH		1	83	SW/31310	
31	LV6MT4/2520-99-803-6352	LEVER, CLUTCH		4	84	SW/27545	
32	LV6MT4/5340-99-803-6567	SHIM	steel, 0.187 in. id x 0.003 in. thk	} as req		SW/33045/A	Clutch lever
33	LV6MT4/5340-99-803-6568	SHIM	steel, 0.187 in. id x 0.005 in. thk			SW/33045/B	
34	LV6MT4/5340-99-803-6569	SHIM	steel, 0.187 in. id x 0.007 in. thk			SW/33045/D	
35	LV6MT4/5135-99-803-6353	PIN, STRAIGHT, HEADED	steel, 3/16 in. dia x 3/16 in. lg	4		SW/27546	
36	LV6MT4/SW 38400	PIN, PIVOT	flyweight	4	85		
37	LV6MT4/SW 38236	WASHER, KEY	pivot pin	4			
38	G1/5310-99-941-0902	NUT, PLAIN, HEXAGON	UNF, steel, lock, zinc coated, 1/4 in.	20	86		} Studs and pivot pins
39	LV6MT4/2520-99-803-6356	GEAR, CLUSTER, HELICAL, SPUR		1	88	SW/27672	
40	LV6MT4/5305-99-804-1203	SCREW, MACHINE	BA, steel, hex hd, no. 2 x 0.903 in.	8	89	SW/27692	} Fixed annulus Cluster gear to freewheel bearing
41	G2/9505-99-960-9401	WIRE, STEEL, CARBON	rd, 0.036 in. dia		90		
42	LV6MT4/2520-99-803-6494	BEARING, SLEEVE	fixed annulus, 0.308 in. flange w		91	SW/31522A	
43	LV6MT4/2520-99-803-6495	BEARING, SLEEVE	fixed annulus, 0.296 in. flange w			SW/31522B	} as req
44	LV6MT4/2520-99-803-6496	BEARING, SLEEVE	fixed annulus, 0.284 in. flange w			SW/31522C	
45	LV6MT4/2520-99-803-6497	BEARING, SLEEVE	fixed annulus, 0.272 in. flange w			SW/31522D	
46	LV6MT4/2520-99-803-6498	WASHER, THRUST	clutch support	1		SW/31523	
47	LV6MT4/2520-99-803-6364	BEARING, SLEEVE	oil delivery	1	92	SW/27687	
48	NP	END COVER AND INPUT ASSEMBLY		1	93-24	SW/3791A	
49	NP	END COVER		1	93-105	SW/3789A	
50	LV6MT4/2520-99-803-6479	GASKET	oil inlet block	1	94	SW/31307	
51	LV6MT4/2520-99-804-1065	BLOCK, OIL INLET		1	95	SW/27475	
52	G1/5306-99-941-0151	BOLT, MACHINE	UNF, steel, hex hd, Cd plated, 1/4 in. x 1-1/8 in.	1	95		} Oil inlet block to cover
53	G1/5306-99-941-0940	BOLT, MACHINE	UNF, steel, hex hd, Cd plated, 1/4 in. x 1-1/2 in.	1			

Item No.	Catalogue Number	Item Name	Item Description	No. Off	Plate Ref.	Drawing No.	Remarks	L15
1		AUXILIARY EQUIPMENT - Contd				L7.		
2		GENERATOR - Contd						
3		GEARBOX - Contd						
4		END COVER AND INPUT ASSEMBLY - Contd						
5		END COVER - Contd						
6	G1/5310-99-941-6644	WASHER, LOCK	steel, single coil, sq section, Cd plated, 1/4 in.	1	97	SW/31306	Oil inlet block to cover	
7	LV6MT4/2520-99-803-6479	GASKET	oil drain block	1				
8	LV6MT4/SW32235	BLOCK, OIL DRAIN		1	98			
9	G1/5306-99-941-0939	BOLT, MACHINE	UNF, steel, hex hd, Cd plated, 1/4 in. x 1-3/8 in.	2	99		Oil drain block to cover	
10	G1/5310-99-941-6644	WASHER, LOCK	steel, single coil, sq section Cd plated, 1/4 in.	2				
11	LV6MT4/5310-99-803-7468	WASHER, FLAT	Al, 17/32 in.	1	101	SW/19874/1	Pressure test	
12	LV6MT1/4730-99-801-0901	PLUG, SCREWED	BSP, brass, 1/4 in.	1	102			
13	LV6MT4/5307-99-803-6368	STUD, PLAIN	BA, steel, no. 2 x 0.687 in.	6	103	SW/27981		
14	LV6MT4/2520-99-803-6512	SHAFT, SHOULDERED	input	1	106	SW/31884		
15	LV6MT1/5340-99-910-8200	RING, RETAINING	steel, ext, 1-1/8 in.	1	107		Roller bearing	
16	LV6MT7/3110-99-950-0767	BEARING, ROLLER, JOURNAL	single row, 1-1/8 in. id x 2-1/2 in. od x 5/8 in. w	1	108			
17	LV6MT1/5340-99-910-8296	RING, RETAINING	steel, int, 2-1/2 in.	1	109		Oil seal	
18	LV6MT1/5330-99-801-4871	SEAL, PLAIN	1-3/4 in. id x 2-1/2 in. od x 3/8 in. w	1	110	GO/MIS112		
19	LV6MT7/3110-99-950-0053	BEARING, BALL, JOURNAL	single row, 20 mm id x 47 mm od x 14 mm w, '00' fit	1	111			
20	LV6MT4/5315-99-803-6367	KEY, MACHINE	steel, 3/16 in. sq x 1 in. lg	1	112	SW/27709	Input shaft	
21	LV6MT4/2520-99-803-6482	GASKET	input gear	1	113	SW/31309		
22	LV6MT4/2520-99-803-6355	GEAR, HELICAL	steel, 38 teeth	1	114	SW/27669		
23	LV6MT4/5310-99-803-6365	WASHER, KEY	steel, ext tab, 3/16 in.	6	115	SW/27694	Input gear to end cover stud	
24	Z2/5310-99-941-7070	NUT, PLAIN, HEXAGON	BA, steel, Cd plated, no. 2	6	116			
25	LV6MT4/2520-99-803-5895	CARRIER, PLANET GEAR	input	1	117-124	SW/3788A		
26	LV6MT4/2520-99-803-5893	CARRIER, PLANET GEAR	input	1	117-118	SW/3787A		
27	LV6MT4/2520-99-803-6430	BEARING, SLEEVE	lead/bronze, 0.406 in. id x 0.562 in. od x 0.730 in. lg	3	120	SW/30134		
28	LV6MT4/2520-99-803-6354	GEAR, HELICAL	steel, 16 teeth	3	121	SW/27668		
29	LV6MT4/5306-99-803-6506	BOLT, MACHINE	UNF, steel, hex hd, 1/4 in. x 0.858 in.	3	123	SW/31868		
30	LV6MT4/5310-99-803-6432	WASHER, KEY	steel, ext tab, 0.281 in.	3	124	SW/30233		
31	LV6MT4/5310-99-803-6369	WASHER, KEY	steel, ext tab, 3/4 in.	1	125	SW/27982	Input shaft	
32	LV6MT4/5310-99-803-6508	NUT, PLAIN, HEXAGON	UNF, steel, 3/4 in.	1	126	SW/31877		
33	LV6MT4/5307-99-803-6333	STUD, PLAIN	BA, steel, Cd plated, no. 2 x 1-1/16 in.	8	127	SW/26335	Gearbox end cover to main frame	
34	G1/5310-99-944-0547	WASHER, LOCK	steel, single coil, sq section Cd plated, 3/16 in.	8	128			
35	Z2/5310-99-941-7070	NUT, PLAIN, HEXAGON	BA, steel, Cd plated, no. 2	8	129			
36	LV6MT4/5330-99-803-6478	GASKET	input shaft	1		SW/31305		
37	LV6MT4/5340-99-803-6366	LOCKING PLATE, NUT AND BOLT		1	130	SW/27695		
38	Z2/5305-99-941-7826	SCREW, MACHINE	BA, steel, hex hd, slotted, Cd plated, no. 2 x 5/16 in.	2	133		Main frame to yoke	
39	G1/5310-99-941-8179	WASHER, FLAT	steel, Cd plated, 0.190 in.	2				
40	LV6MT4/2920-99-803-8558	ENDSHIELD, ELECTRICAL ROTATING EQUIPMENT	CE, w/adaptor	1	134-136	CB/5899/58		
41	LV6MT4/5330-99-803-8556	WASHER, NONMETALLIC	synthetic rubber, 146 mm id x 150.76 mm od x 5 mm thk	1	137	CB/5899/51		
42	LV6MT4/2920-99-803-8560	GAUZE, AIR INLET		1	138	CB/5899A/60		
43	LV6MT4/5340-99-803-8562	RING, RETAINING	air inlet gauze	1	139	CB/5899/62	End cover to brush gear shield	
44	LV6MT4/5307-99-803-9750	STUD, PLAIN	BA, steel, zinc coated, no. 2 x 22 mm	6	141	CB/5335/574A		
45	LV6MT4/5310-99-803-8563	WASHER, KEY	steel, 3 ext tabs, zinc coated, 4.80 mm	6		CB/5899/63	Brush gear shield and end cover studs	
46	LV6MT4/5310-99-803-8564	WASHER, KEY	steel, 2 ext tabs, zinc coated, 4.80 mm	6	142	CB/5899/64		
47	Z2/5310-99-120-2130	NUT, PLAIN, HEXAGON	BA, steel, Cd plated, no. 2	12	143			
48	LV10/2920-99-865-4483	PULLEY, GROOVE	generator	1		FV143240		
49	LV10/3030-99-865-4962	BELTS, V, ENDLESS, MATCHED SET		1		FV144503	Set of 2	
50								
51	LV10/2920-99-865-4493	CRADLE, GENERATOR		1		FV148236		
52	LV10/5340-99-865-3315	MOUNT, RESILIENT	adjusting screw	2		FV145844		
53	LV10/5315-99-865-2654	PIN, STRAIGHT, HEADLESS	steel, 0.374 in. dia x 1.950 in. lg	2		FV142240		

Item No.	Catalogue Number	Item Name	Item Description	No. Off	Plate Ref.	Drawing No.	Remarks	L16
1		AUXILIARY EQUIPMENT - Contd						
2		CRADLE, GENERATOR - Contd						
3	LV10/5315-99-866-2655	PIN, STRAIGHT, HEADLESS	steel, 0.374 in. dia x 1.275 in. lg	2		FV142241		
4	LV10/5340-99-865-2499	BAND, RETAINING	rear	1		FV141762		
5	LV10/5306-99-865-2463	EYEBOLT	strap, adjusting	2		FV141698		
6	LV10/5340-99-865-4492	BAND, RETAINING	front	1		FV148235		
7	LV10/2805-99-865-2850	PIVOT ASSEMBLY, GENERATING MOUNTING	cradle support	1		FV143029		
8	G1/5315-99-942-3565	PIN, GROOVED, HEADLESS	steel, type GP1, phosphated, 1/8 in. x 3/4 in.	1		FV145842		
9	LV10/2920-99-865-3313	STRUT, ADJUSTING, GENERATOR MOUNT, RESILIENT	adjusting screw	1		FV145844		
10	LV10/5340-99-865-3315	BOLT, MACHINE	UNF, steel, hex hd, Cd plated, 5/16 in. x 1.55 in.	1		FV145239		
11	LV10/5306-99-865-3247	COLLET, SPLIT	trunnion collar	1		FV145214		
12	LV10/2805-99-865-3245	WASHER, RECESSED	trunnion adjustment	1		FV145213		
13	LV10/5310-99-865-3244	NUT, SLEEVE	trunnion adjustment	1		FV145212		
14	LV10/5310-99-865-3243	CLAMP, LOOP	trunnion adjustment	1		FV145211		
15	LV10/5340-99-865-3242	BRACKET, GENERATOR, ADJUSTING	trunnion	1		FV145304		
16	LV10/5340-99-865-3249	NUT, PLAIN, HEXAGON	UNF, steel, lock, zinc coated, 5/16 in.	1			Generator adjusting bolt	
17	G1/5310-99-941-0903	WASHER, LOCK	steel, single coil, sq section, zinc coated, 5/16 in.	1			Adjusting bracket	
18	G1/5310-99-120-7357	WASHER, FLAT	steel, zinc coated, 5/16 in.	1			Adjusting bolt and support	
19	G1/5310-99-941-8386	BOLT, MACHINE	UNF, steel, hex hd, Cd plated, 1/2 in. x 4.360 in.	1		FV141723	Adjusting bracket	
20	LV10/5306-99-865-2476	NUT, CASTELLATED, HEXAGON	UNF, steel, Cd plated, 1/2 in.	2		UA1105	Adjusting bolt and support	
21	LV10/5310-99-865-1497	PIN, COTTER, SPLIT	steel, phosphated, 1/8 in. x 1-1/4 in.	2			Adjusting bolt and support	
22	G1/5315-99-944-0183	NUT, SLEEVE	adjusting screw	2		FV141699	Generator mtg brackets	
23	LV10/5310-99-865-2464	PAD, SPHERICAL	adjusting screw	1		FV142032	Generator mtg brackets	
24	LV10/2805-99-865-2588	BUSHING, SLEEVE	steel, 0.500 in. id x 0.749 in. od x 0.860 in. lg	2		FV143026	Generator mtg brackets	
25	LV10/2920-99-865-2849	TRUNNION PIN, GENERATOR STRAP	generator to bracket	2		FV141757		
26	LV10/2920-99-865-2497	LEAD, ELECTRICAL	BA, steel, hex hd, slotted, Cd plated, no. 2 x 3/8 in.	1		FV141241		
27	LV10/6150-99-865-2316	SCREW, MACHINE	steel, Cd plated, 0.190 in.	2			Securing lead	
28	Z2/5305-99-941-6706	WASHER, FLAT	steel, single coil, sq section, Cd plated, 3/16 in.	2			Securing lead	
29	G1/5310-99-941-8179	WASHER, LOCK		2			Securing lead	
30	G1/5310-99-944-0547			2			Securing lead	
31						L8		
32	LV6MT4/CB252/1	GENERATOR PANEL	no. 2, Mk 2/1	1		1-110 FV175871		
33	LV6MT4/5307-99-803-8405	STUD, PLAIN	UNC/UNF, steel, zinc coated, 1/4 in. x 1.033 in.	16		2 CB/5876B/46B		
34		TERMINAL BOARD		1		3-19 CB/5911/13		
35	LV6MT4/2920-99-803-5592	CUTOFF ASSEMBLY		1		5-13 CB/BCK37		
36	Z1/ZA48795	RESISTOR, WIRE WOUND	41 ohms $\pm 10\%$, 30 W	1		14		
37	Z1/ZA48794	RESISTOR, WIRE WOUND	38 ohms $\pm 10\%$, 20 W	1		15		
38	Z2/5310-99-913-3680	WASHER, FLAT	brass, tin plated, 0.197 in.	2		17		
39	Z2/5310-99-100-9786	WASHER, LOCK	steel, int, flat, Cd plated, no. 2 BA	2		18	Terminals	
40	Z2/5310-99-120-2134	NUT, PLAIN, HEXAGON	BA, brass, tin plated, no. 2	2		19	Terminals	
41	LV6MT4/2920-99-881-3017	RELAY, ARMATURE	spdt, 200 ohm coil, 24V	1		20 CB/L10		
42		SCREENING BOX ASSEMBLY		1		23-24 CB/5911/115		
43	Z1/5935-99-940-8855	SOCKET, ELECTRICAL	fixed, female, size 3/0, 5 pole	1		24 PL/CZ63922		
44	LV6MT4/5910-99-900-6728	CAPACITOR, FIXED, METALLISED PAPER, DIELECTRIC	feed through type 2 uF	1		CB/6005/10		
45	Z1/ZA45410	CAPACITOR, FIXED, METALLISED PAPER, DIELECTRIC	feed through type 0.25 uF	1				
46	Z2/5305-99-941-9194	SCREW, MACHINE	BA, steel, flat fillister hd, Cd plated, no. 2 x 3/8 in.	2			Lead tag to box	
47	Z2/5310-99-100-9786	WASHER, LOCK	steel, int, flat, Cd plated, no. 2 BA	2			Lead tag to box	
48	Z2/5310-99-101-6807	NUT, PLAIN, HEXAGON	BA, steel, Cd plated, no. 2	2			Lead tag to box	
49	Z2/5305-99-101-0352	SCREW, MACHINE	BA, steel, flat fillister hd, zinc coated, no. 4 x 5/16 in.	4			Suppressor to box	
50	Z2/5310-99-120-2520	WASHER, LOCK	steel, int, flat, zinc coated, no. 4 BA	4			Suppressor to box	
51	Z2/5310-99-101-0349	NUT, PLAIN, HEXAGON	BA, steel, zinc coated, no. 4	4			Suppressor to box	
52	LV6MT4/2920-99-803-8572	COVER, SCREENING BOX		1	25	CB/5911/34		
53	Z2/5305-99-945-2337	SCREW, MACHINE	BA, brass, flat fillister hd, tin plated, no. 4 x 1/2 in.	1	26		Screening box cover	

Item No.	Catalogue Number	Item Name	Item Description	No. Off	Plate Ref.	Drawing No.	Remarks
1		AUXILIARY EQUIPMENT - Contd			L8		
2		GENERATOR PANEL - Contd					
3	Z2/5310-99-941-9448	WASHER, LOCK	steel, int, flat, Cd plated, no. 4 BA	2			} Cover and tag screws
4	Z1/5935-99-900-1638	SOCKET, ELECTRICAL	fixed, female, size 1/0, 2 pole	1	27		
5	Y3/6145-99-100-4628	CABLE, ELECTRICAL	single conductor, 40/0.0076in. glass braid, blue	1			} as req
6	LV6MT4/CB5658/246	CAP, PROTECTION	electrical socket 1/0, 2 pole	1	28		
7	Z1/5935-99-940-9836	PLUG, ELECTRICAL	fixed, female, size 2/0, 4 pole	1	29		} as req
8	Y3/6145-99-943-4824	CABLE, ELECTRICAL	single conductor, 40/0.0076in. glass braid, yellow	1			
9	LV6MT4/CB5658/245	CAP, PROTECTION	electrical plug, 2/0, 4 pole	1	30		} as req
10	LV6MT4/5935-99-940-9989	PLUG, ELECTRICAL	fixed, female, size 3/0, 5 pole	1	31		
11	Y3/6145-99-100-4628	CABLE, ELECTRICAL	single conductor, 40/0.0076in. glass braid, blue	1			} as req
12	Y3/6145-99-943-4824	CABLE, ELECTRICAL	single conductor, 40/0.0076in. glass braid, yellow	1			
13	Y3/6145-99-901-2567	CABLE, ELECTRICAL	single conductor, 110/0.0076in. glass braid, blue	1			} as req
14	LV6MT4/2920-99-804-0125	CAP, PROTECTION, GENERATOR PANEL		2	32	CB/5658/235	
15	Z2/5305-99-945-2337	SCREW, MACHINE	BA, brass, flat fillister hd, tin plated, no. 4 x 1/2 in.	1	33		} Securing protection cap chains
16	Z2/5310-99-941-9448	WASHER, LOCK	steel, int, flat, Cd plated, no. 4 BA	1			
17	NP	SWITCHBOARD		1	34-44	CB/5911/116	} Chain securing screw
18	LV6MT4/5920-99-804-864.1	CLIP, ELECTRICAL FUSE		2	35	CB/5698/24	
19	LV6MT4/CB5596/6G	TERMINAL, RESISTANCE		1	36		} Fuse post
20	Z2/5310-99-941-9991	WASHER, FLAT	brass, Cd plated, 0.197 in.	1	37		
21	Z2/5310-99-100-9786	WASHER, LOCK	steel, int, flat, Cd plated, no. 2 BA	1	38		} Connection leads
22	Z2/5310-99-913-3153	NUT, PLAIN, HEXAGON	BA, brass, Cd plated, no. 2	1	39		
23	LV6MT4/5920-99-804-8622	POST, FUSE		2	40	CB/5911A/21A	} Fuse post
24	G1/5310-99-101-7647	WASHER, LOCK	steel, int, flat, Cd plated, 1/4 in.	2	41		
25	G1/5310-99-941-8898	NUT, PLAIN, HEXAGON	UNF, brass, tin plated, 1/4 in.	2	42		} Connection leads
26	Y3/6145-99-901-2567	CABLE, ELECTRICAL	single conductor, 110/0.0076 in. glass braid, blue	1	43		
27	Y3/6145-99-100-4628	CABLE, ELECTRICAL	single conductor, 40/0.0076in. glass braid, blue	1			} as req
28	LV6MT4/5305-99-803-9695	SCREW, MACHINE	BA, steel, flat oak hd, zinc coated, no. 4 x 5/8 in.	2		CB/5335/150	
29	Z2/5310-99-948-0389	WASHER, FLAT	steel, Cd plated, 0.152 in.	2			} Microswitch bracket
30	Z2/5310-99-941-9448	WASHER, LOCK	steel, int, flat, Cd plated, no. 4 BA	2			
31	Z2/5310-99-941-9961	NUT, PLAIN, HEXAGON	BA, steel, Cd plated, no. 4	2			} Switch to bracket
32	Z/5930-99-051-0080	SWITCH, MICRO	sp, 2 way, no. 1	1	45	CB/5335/584	
33	LV6MT4/5305-99-803-9752	SCREW, MACHINE	BA, steel, flat chamfer hd, zinc coated, no. 6 x 1-1/8in	2			} Switch to bracket
34	Z2/5310-99-101-7042	WASHER, LOCK	steel, int, flat, no. 6BA	2			
35	Z2/5310-99-943-7110	NUT, PLAIN, HEXAGON	BA, brass, Cd plated, no. 6	2			} as req
36	NP	FUSE CARRIER		1	46	CB/5551/163J CB/5551A/38	
37	LV6MT4/5920-99-804-8593	CARRIER, FUSE, LINK		1			} as req
38	X2/6145-99-942-4347	FUSE WIRE	tinned copper, 30 SWG	1			
39	LV6MT4/5920-99-804-8648	FUSE LINK, ELECTRICAL STRIP		1	47	CB/5580/1B	} as req
40	LV6MT4/5310-99-805-6181	NUT, FUSE POST	UNF, steel, 1/4 in.	2	48	CB/5911/25	
41	LV6MT4/CB5911/35	RECTIFIER		1	50		} as req
42	Z2/5310-99-100-9786	WASHER, LOCK	steel, int, flat, Cd plated, no. 2 BA	1	51		
43	Z2/5310-99-101-6807	NUT, PLAIN, HEXAGON	BA, steel, Cd plated, no. 2	1	52		} as req
44	LV6MT4/5305-99-804-1187	SCREW, MACHINE	BA, steel, flat fillister hd, zinc coated, no. 2 x 13/16 in.	4	56	CB/NS37/1921	
45	Z2/5310-99-120-2311	WASHER, LOCK	steel, int, flat, zinc coated, no. 2 BA	4			} Switchboard
46	Z2/5310-99-101-2862	NUT, PLAIN, HEXAGON	BA, steel, zinc coated, no. 2	4	57		

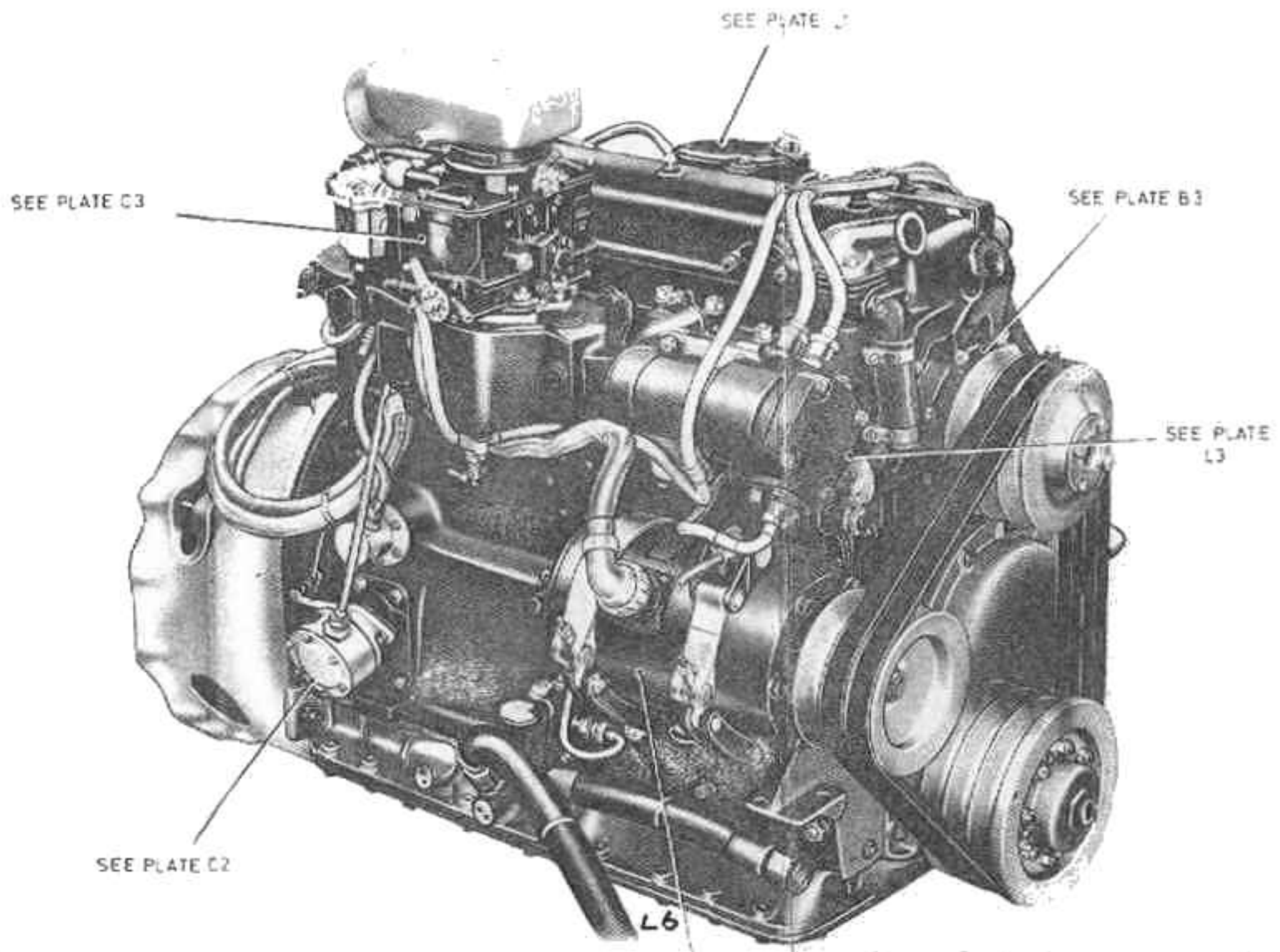
Item No.	Catalogue Number	Item Name	Item Description	No. Off	Plate Ref.	Drawing No.	Remarks
1		AUXILIARY EQUIPMENT - Contd				LB	
2		GENERATOR PANEL - Contd					
3		SCREW, MACHINE	BA, steel, flat fillister hd, Cd plated, no. 2 x 3/4 in.	4	61		Terminal board to body
4	Z2/5310-99-100-9786	WASHER, LOCK	steel, int, flat, Cd plated, no. 2 BA	4	62		
5	Z2/5310-99-941-6866	WASHER, FLAT	steel, Cd plated, 0.197 in.	4	63		
6	LV6MT4/5920-99-804-8584	FUSE COVER ASSEMBLY		1	64-75	CB/5911/140	
7	LV6MT4/5920-99-804-0175	COVER, FUSE		1	64	CB/5911/139	
8	LV6MT4/2920-99-803-8583	SPRING, RETURN	plunger	1	65	CB/5911/96	Plunger guide
9	LV6MT4/2920-99-803-8584	GUIDE, PLUNGER	return spring	1	66	CB/5911/99	
10	LV6MT4/5305-99-803-9697	SCREW, MACHINE	BA, steel, flat oak hd, zinc coated, no. 4 x 3/8 in.	6	67	CB/5333/150B	
11	LV6MT4/2920-99-803-8582	SPRING, OVER-RUN	plunger	1	68	CB/5911/95	
12	LV6MT4/5920-99-804-8648	FUSE LINK, ELECTRICAL STRIP		1	72	CB/5580/LB	Fuse link to cover
13	LV6MT4/5305-99-803-9751	SCREW, MACHINE	UNC, brass, flat chamfer hd, tin plated, 1/4 in. x 9/32 in.	2	73	CB/5335/583	
14	G1/5310-99-101-7647	WASHER, LOCK	steel, int, flat, Cd plated, 1/4 in.	2	74		
15	G1/5310-99-941-7072	WASHER, FLAT	steel, Cd plated, 1/4 in.	2	75		
16	LV6MT4/5340-99-803-8581	CAP, PROTECTIVE, DUST AND MOISTURE SEAL RING, SEALING, TOROIDAL		1	76	CB/5911/53	
17	LV6MT1/5330-99-801-5676		synthetic rubber, 1.75 in. id x 0.139 in. h, 85 deg BS hardness	1	77	GO/R149P 90	
18	LV6MT4/5340-99-803-8580	CAP, PROTECTIVE, DUST AND MOISTURE SEAL RING, SEALING, TOROIDAL		1	78	CB/5911/52	
19	LV6MT1/79438		synthetic rubber, 2-7/8 in. id x 0.139 in. h, 85 deg BS hardness	1	79	GO/R176	
20	LV6MT4/5330-99-803-8576	PACKING, PREFORMED	fuse cover	1	80	CB/5911/39	Fuse cover to body
21	LV6MT4/5307-99-803-8405	STUD, PLAIN	UNC/UNF, steel, zinc coated, 1/4 in. x 1.033 in.	4	81	CB/5876B/46B	
22	G1/5310-99-943-8479	WASHER, LOCK	steel, int flat, zinc coated, 1/4 in.	4	82		
23	G1/5310-99-941-0924	NUT, PLAIN, HEXAGON	UNF, steel, zinc coated, 1/4 in.	4	83		
24	LV6MT4/5307-99-805-6152	STUD, PLAIN	BA, steel, zinc coated, no.2 x 15/16 in.	4	84	CB/5868/15	Cut out cover
25	LV6MT4/2590-99-804-0174	COVER, OUT OUT		1	85	CB/5911/138	
26	LV6MT4/5330-99-803-8574	PACKING, PREFORMED	out out cover	1	86	CB/5911/37	Cut out cover
27	Z2/5310-99-100-9786	WASHER, LOCK	steel, int, flat, Cd plated, no. 2 BA	4	87		
28	Z2/5310-99-101-2862	NUT, PLAIN, HEXAGON	BA, steel, zinc coated, no.2	4	88		
29	LV6MT4/5330-99-803-8571	PACKING, PREFORMED	carbon pile regulator	1	89	CB/5911/26	Bracket
30	NP	CARBON PILE REGULATOR		1		CB/5911/130	
31	LV6MT4/2920-99-803-7430	REGULATOR, ENGINE GENERATOR	type NR2/4817QFB	1		NN/152228/1	Magnet cases to cooler
32	LV6MT4/5307-99-803-6624	STUD, SHOULDERED	BA, steel, Cd plated, no. 2 x 1.812 in.	8		NN/X3517/1	
33	LV6MT4/5307-99-803-6726	STUD, PLAIN	BSP, steel, Cd plated, 1/4 in. x 1 in.	6		NN/X4484/1	Cover
34	LV6MT4/5970-99-804-1499	INSULATOR PLATE	carbon pile bracket	2		NN/X4385/1	
35	LV6MT4/5970-99-804-1500	INSULATOR PLATE	carbon pile bracket	2		NN/X2944/1	Bracket screws
36	LV6MT4/5310-99-803-6656	NUT, SELF-LOCKING PLATE	carbon pile	2		NN/X3673/1	
37	LV6MT4/5970-99-804-1514	INSULATOR, BUSHING	bonded glass, 0.156 in. id x 0.25 in. od x 0.187 in. lg	4		NN/X4018/1	
38	LV6MT4/5330-99-101-8400	WASHER, NONMETALLIC	bonded glass, 0.257 in. id x 0.500 in. od x 0.032 in. thk	4		NN/X3651/1	Bracket to cooler
39	LV6MT4/5330-99-101-8401	WASHER, NONMETALLIC	bonded glass, 0.156 in. id x 0.500 in. od x 0.032 in. thk	4		NN/X3516/1	
40	Z2/5305-99-941-9089	SCREW, MACHINE	BA, steel, flat fillister hd, Cd plated, no. 4 x 1/2 in.	4			Bracket to cooler
41	Z2/5305-99-941-9448	WASHER, LOCK	steel, int, flat, Cd plated, no. 4 BA	4			
42	Z2/5305-99-941-6868	WASHER, FLAT	steel, Cd plated, 0.157 in.	4			
43	LV6MT4/2920-99-803-6655	HOLDER, CONTACT	carbon pile	2		NN/X3672/1	Clamping bracket
44	X2/6110-99-110-2067	BUSH, CARBON	3/32 in. id x 21/64 in. od x 1/4 in. lg	2			
45	Z2/5305-99-941-9090	SCREW, MACHINE	BA, steel, flat fillister hd, Cd plated, no. 6 x 1/4 in.	2			

Item No.	Catalogue Number	Item Name	Item Description	No. Off	Plate Ref.	Drawing No.	Remarks
1		AUXILIARY EQUIPMENT - Contd			LB		
2		GENERATOR PANEL - Contd					
3	Z2/5305-99-941-9921	CARBON PILE REGULATOR - Contd					
4		REGULATOR - Contd					
5	Z3/6110-99-105-0454	TUBE, INSULATING, VOLTAGE REGULATOR		2			
6	LV6MT4/NN/X3970	CARBON PILE	voltage unit	1			
7	Z3/6110-99-105-0493	DISC SET, VOLTAGE REGULATOR	current unit	1			
8	LV6MT4/2920-99-803-7478	ARMATURE, RELAY	voltage unit	1		NN/203233/1	
9	LV6MT4/5970-99-804-1514	INSULATOR	bonded glass, 0.156 in. id x 0.187 in. lg	2		NN/X4018/1	
10	LV6MT4/5330-99-101-8400	BUSHING WASHER, NONMETALLIC	bonded glass, 0.257 in. id x 0.500 in. od x 0.032 in. thk	3		NN/X3651/1	
11	LV6MT4/5330-99-101-8401	WASHER, NONMETALLIC	bonded glass, 0.156 in. id x 0.500 in. od x 0.032 in. thk	2		NN/X3516/1	
12	Z2/5305-99-941-7936	SCREW, MACHINE	BA, steel, flat fillister hd, Cd plated, no. 6 x 9/16 in.	2			
13	Z2/5310-99-948-0020	WASHER, FLAT	brass, Cd plated, no. 6	2			
14	X2/6110-99-110-2067	BUSH, CARBON	3/32 in. id x 21/64 in. od x 1/4 in. lg	1			
15	LV6MT4/5940-99-805-0796	TERMINAL, LUG	BA, brass, no. 5	1			
16	Z2/5305-99-999-5332	SCREW, MACHINE	BA, brass, flat fillister hd, NP, no. 6 x 1/4 in.	1			
17	Z2/5310-99-101-7042	WASHER, LOCK	steel, int, flat, no. 6 BA	1			
18	Z2/5310-99-101-2331	NUT, PLAIN, HEXAGON	BA, brass, Cd plated, no. 6	1			
19	LV6MT4/2920-99-803-7477	ARMATURE, RELAY	current, unit	1		NN/203234/1	
20	LV6MT4/5970-99-804-1514	INSULATOR	bonded glass, 0.156 in. id x 0.25 in. od x 0.187 in. lg	2		NN/X4018/1	
21	LV6MT4/5330-99-101-8400	BUSHING WASHER, NONMETALLIC	bonded glass, 0.257 in. id x 0.500 in. od x 0.032 in. thk	3		NN/X3651/1	
22	LV6MT4/5330-99-101-8401	WASHER, NONMETALLIC	bonded glass, 0.156 in. id x 0.500 in. od x 0.032 in. thk	2		NN/X3516/1	
23	Z2/5305-99-941-7936	SCREW, MACHINE	BA, steel, flat fillister hd, Cd plated, no. 6 x 9/16 in.	2			
24	Z2/5310-99-948-0020	WASHER, FLAT	brass, Cd plated, no. 6	2			
25	X2/6110-99-110-2067	BUSH, CARBON	3/32 in. id x 21/64 in. od x 1/4 in. lg	1			
26	LV6MT4/5940-99-805-0796	TERMINAL, LUG	BA, brass, no. 5	1			
27	Z2/5305-99-999-5332	SCREW, MACHINE	BA, brass, flat fillister hd, NP, no. 6 x 1/4 in.	1			
28	Z2/5310-99-101-7042	WASHER, LOCK	steel, int, flat, no. 6 BA	1			
29	Z2/5310-99-101-2331	NUT, PLAIN, HEXAGON	BA, brass, Cd plated, no. 6	1			
30	LV6MT4/2920-99-803-7480	MAGNET CASE, VOLTAGE UNIT		1		NN/203490	
31	LV6MT4/5315-99-803-9625	PIN, STRAIGHT, THREADED	voltage coil	1		NN/253568	Core
32	LV6MT4/2920-99-803-7483	COIL, VOLTAGE REGULATOR		1		NN/203666I	
33	LV6MT4/2920-99-803-7481	MAGNET CASE, CURRENT UNIT		1		NN/203491	
34	LV6MT4/5920-99-803-5919	CORE, CURRENT UNIT		1		NN/X4415I	
35	LV6MT4/2920-99-803-9613	COIL, VOLTAGE REGULATOR	limitation shunt	1		NN/204283I	
36	LV6MT4/2920-99-803-7484	COIL, VOLTAGE REGULATOR	current	1		NN/203667I	
37	Z2/5305-99-949-9101	SCREW, MACHINE	BA, steel, flat fillister hd, Cd plated, no. 4 x 1/4 in.	4			Locking cores
38	Z2/5310-99-941-6869	WASHER, FLAT	steel, Cd plated, 0.157 in.	4			
39	LV6MT4/5310-99-803-6663	WASHER, FLAT	copper, Cd plated, 3/4 in. id x 2-1/8 in. od x 1/32 in. thk	4		NN/X3711/1	Clamping coils
40	Z2/5305-99-941-7988	SCREW, GRUB	BA, steel, hex socket, cup point, Cd plated, no. 4 x 1/4 in.	4			Coil clamping washers
41	Z2/5310-99-100-9786	WASHER, LOCK	steel, int, flat, Cd plated, no. 2 BA	8			
42	Z2/5310-99-101-6807	NUT, PLAIN, HEXAGON	BA, steel, Cd plated, no. 2	8			
43	LV6MT4/2920-99-803-6829	PACKING, PREFORMED	regulator cover	1		CB/5868/2	
44	LV6MT4/2920-99-803-9611	COVER, VOLTAGE REGULATOR		1	91	NN/203505	

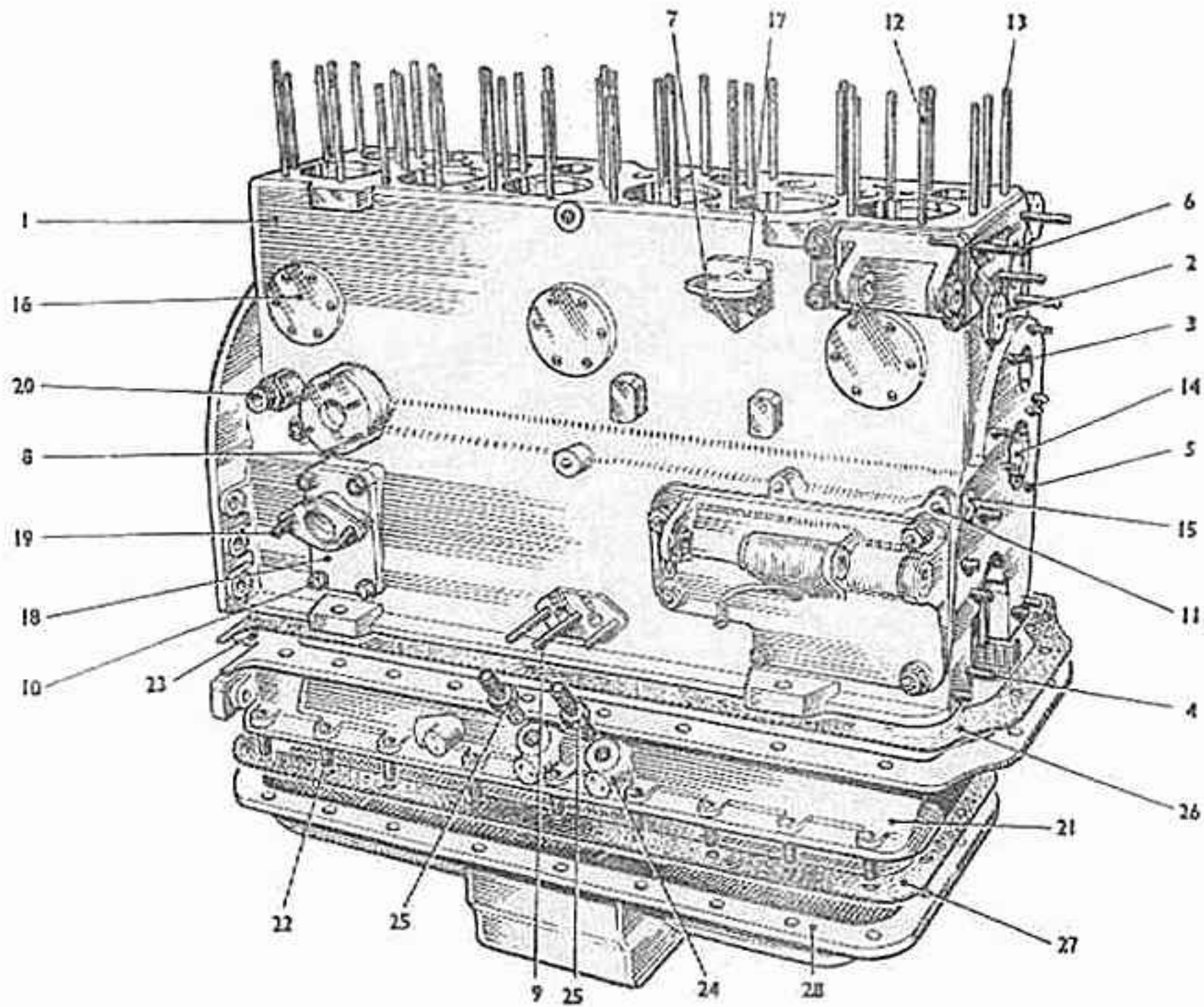
Item No.	Catalogue Number	Item Name	Item Description	No. Off	Plate Ref.	Drawing No.	Remarks	L20
1		AUXILIARY EQUIPMENT - Contd				L8		
2		GENERATOR PANEL - Contd						
3		CARBON PILE REGULATOR -						
4		Contd						
5	G1/5310-99-941-6870	REGULATOR - Contd						
6	G1/5310-99-101-7647	NUT, PLAIN, HEXAGON	BSP, steel, lock, Cd plated, 1/4 in.	6			Cover studs	
7	G1/5310-99-941-7691	WASHER, LOCK	steel, int, flat, Cd plated, 1/4 in.	6				
8	G1/5310-99-941-7691	NUT, PLAIN, HEXAGON	BSP, steel, zinc coated, 1/4 in.	6	92			
9	LV6MT4/5307-99-803-8405	STUD, PLAIN	UNC/UNF, steel, zinc coated, 1/4 in. x 1.033 in.	4	93	CB/5876B/ 46B	Carbon pile regulator to body	
10	G1/5310-99-943-8479	WASHER, LOCK	steel, int, flat, zinc coated, 1/4 in.	4	94			
11	G1/5310-99-941-0924	NUT, PLAIN, HEXAGON	UNF, steel, zinc coated, 1/4 in.	4	95			
12	LV6MT4/2920-99-803-8575	PACKING, PREFORMED	generator panel	1	96	CB/5911/38	Body to base	
13	LV6MT4/5307-99-804-7400	STUD, PLAIN	UNC/UNF, steel, zinc coated, 1/4 in. x 1-3/8 in.	1	98	CB/5876/ 46A		
14	G1/5310-99-941-8634	WASHER, FLAT	steel, zinc coated, 1/4 in.	1	99		Ext earth terminal	
15	G1/5310-99-943-8479	WASHER, LOCK	steel, int, flat, zinc coated, 1/4 in.	1	100			
16	G1/5310-99-941-0924	NUT, PLAIN, HEXAGON	UNF, steel, zinc coated, 1/4 in.	1	101		Body to base studs	
17	G1/5310-99-943-8479	WASHER, LOCK	steel, int, flat, zinc coated, 1/4 in.	16	102			
18	G1/5310-99-941-0924	NUT, PLAIN, HEXAGON	UNF, steel, zinc coated, 1/4 in.	16	103			
19	LV6MT4/4730-99-805-2984	PLUG, SCREWED	BSP, steel, zinc coated, 1/8 in.	1	104	CB/5876/54	Test plug	
20	G1/5310-99-913-3207	WASHER, FLAT	Al, 0.39 in.	1	105			
21	LV6MT4/2920-99-803-8575	PACKING, PREFORMED	generator panel	1	106	CB/5911/38	Main cover	
22	LV6MT4/CB5911/150	COVER, MAIN		1	109			
23	G1/5310-99-943-8479	WASHER, LOCK	steel, int, flat, zinc coated, 1/4 in.	16	110			
24	G1/5310-99-941-0924	NUT, PLAIN, HEXAGON	UNF, steel, zinc coated, 1/4 in.	16				
25	LV9ASC/5330-99-815-7601	FELT, MECHANICAL	generator panel	4		FV51559	Generator panel to side plate	
26	LV9ASC/5330-99-815-7602	WASHER, NONMETALLIC	felt, 3/8 in. id x 1 in. od x 1/4 in. thk	8		FV51560		
27	G1/5310-99-941-8386	WASHER, FLAT	steel, zinc coated, 5/16 in.	4				
28	G1/5310-99-941-9141	WASHER, LOCK	steel, int, flat, Cd plated, 5/16 in.	4				
29	G1/5310-99-941-0925	NUT, PLAIN, HEXAGON	UNF, steel, zinc coated, 5/16 in.	4				
30	LV6MT4/2590-99-881-5774	SWITCHBOARD TURNLIGHT	no. 1, Mk 2	1		FV534885	Main beam Flasher	
31	LV6MT3/6210-99-881-5623	LIGHT, INDICATOR	28V, midget, blue	1				
32	LV6MT3/6210-99-881-5622	LIGHT, INDICATOR	28V, midget, orange	1				
33	X5/6240-99-995-9118	LAMP, FILAMENT	midget, 28V, 0.04A	2			Thermal flash	
34	LV6MT3/5945-99-802-5943	FLASH, THERMAL	24V, 4.5W	1		FV562091		
35	Z2/5305-99-941-6718	SCREW, MACHINE	BA, steel, hex hd, slotted, Cd plated, no. 4 x 3/8 in.	2				
36	Z2/5310-99-941-9448	WASHER, LOCK	steel, int, flat, Cd plated, no. 4 BA	2				
37	NP	CONNECTOR ASSEMBLY		1		FV483556	Connector	
38	LV6MT4/5935-99-881-9664	PLUG, ELECTRICAL	female, 10 poles	1		FV585015		
39	Y3/6145-99-943-4824	CABLE, ELECTRICAL	single conductor, 40/0.0076in. 0.13 in. dia, glass braid	as req				
40	LV6MT4/RP/300CH4A	TERMINAL, QUICK DISCONNECT	single	3			Connector	
41	LV6MT4/5940-99-805-0380	TERMINAL, QUICK DISCONNECT	double	2		RP/300CH10		
42	LV6MT4/5975-99-881-9388	CABLE NIPPLE	plastics, single	3		RP/RS49		
43	LV6MT4/5975-99-805-0379	CABLE NIPPLE	plastics, double	2		RP/RS63		
44	LV6MT4/5940-99-805-1429	TERMINAL, QUICK DISCONNECT	brass, tin plated, 0.525 in. w x 0.600 in. lg	1		AMP/ 180373-2		
45	Z1/5330-99-103-3660	GASKET	rubber, 1.375 in. sq x 0.031 in. thk	1		TH/D10- 36675-18		
46	Z2/5305-99-941-6729	SCREW, MACHINE	BA, steel, hex hd, slotted, Cd plated, no. 6 x 3/8 in.	4				
47	Z2/5310-99-101-7042	WASHER, LOCK	steel, int, flat, no. 6 BA	4				
48	LV6MT4/6220-99-804-9709	CONTROL, DIRECTIONAL SIGNAL LIGHT AUTOMOTIVE		1		FV494505	Connector	
49	LV6MT4/5355-99-881-3634	KNOB	24V, 10A, manual cancelling signal light control	1		FV481537		
50	NP	LEAD ASSEMBLY	thermal flash to control	1		FV483563/1		
51	Y3/6145-99-943-4824	CABLE, ELECTRICAL	single conductor, 40/0.0076in. 0.13 in. dia, glass braid	as req				

Item No.	Catalogue Number	Item Name	Item Description	No. Off	Plate Ref.	Drawing No.	Remarks
1	M1/1040-99-962-1224	DISCHARGER, SMOKE GRENADE, LEFT	no. 4 Mk 1	1		FV59292	
2	M1/1040-99-962-1171	BRACKET, DISCHARGER		1	1	FV55550	
3	M1/1040-99-962-1172	LID		1	2	FV58407	
4	M1/1040-99-962-1169	GASKET	bracket to lid	1	3	FV55546	
5							
6	M1/1040-99-962-1003	DISCHARGER, SMOKE GRENADE, RIGHT	no. 4. Mk 1	1		FV59293	
7	M1/1040-99-962-1164	BRACKET, DISCHARGER		1	1	FV55551	
8	M1/1040-99-962-1173	LID		1	2	FV58408	
9	M1/1040-99-962-1169	GASKET	bracket to lid	1	3	FV55546	
10							
11							
12		DISCHARGERS, LEFT AND RIGHT					
13	M1/1040-99-962-1004	BARREL		3	5-7	M1MR/ 11748A	
14	G1/5310-99-941-6662	WASHER, LOCK	steel, sq section, 7/8 in.	3	6		
15	M1MR/4787	NUT, SECURING		3	7	FV51074	
16	T2/1040-99-960-6622	CAP, SMOKE GRENADE DISCHARGER	Mk 1	3	8		
17	LV6MT4/5940-99-805-0197	CONNECTOR, BANK	6 way	1	10		
18	Z2/5310-99-943-3968	WASHER, LOCK	steel, int, flat, Cd plated, no. 6	2			} Connector to bracket
19	Z2/5305-99-914-8715	SCREW, MACHINE	UNC, steel, pan hd, Cd plated, no. 6 x 5/8 in.	2			
20	M1/5315-99-962-1064	PIN, SWIVEL		7	11	FV51520	
21	M1/1040-99-962-1167	PLATE, HINGE		4	12	FV51518	
22	G1/5310-99-101-7838	WASHER, FLAT	steel, zinc coated, 1/4 in.	14	13		
23	G1/5315-99-944-0172	PIN, COTTER, SPLIT	steel, phosphated, 1/16 in. x 7/8 in.	14	14		
24	M1/5306-99-962-1066	EYEBOLT		3	15		
25	G1/GA18943	NUT, WING	lid, fixing	3	16		
26	M1/1040-99-962-1168	GASKET	discharger to wing	1	17		
27	G1/5310-99-120-2521	WASHER, LOCK	steel, int, flat, zinc coated, 3/8 in.	7			} Discharger to wing Farthing screws
28	G1/5305-99-941-0711	SCREW, MACHINE	UNC, steel, hex hd, zinc coated, 3/8 in. x 5/8 in.	7			
29	G1/GA19170	WASHER, LOCK	steel, int, flat, zinc coated, 5/16 in.	2			
30	G1/5305-99-941-0522	SCREW, MACHINE	UNF, steel, hex hd, zinc coated, 5/16 in. x 3/8 in.	2			

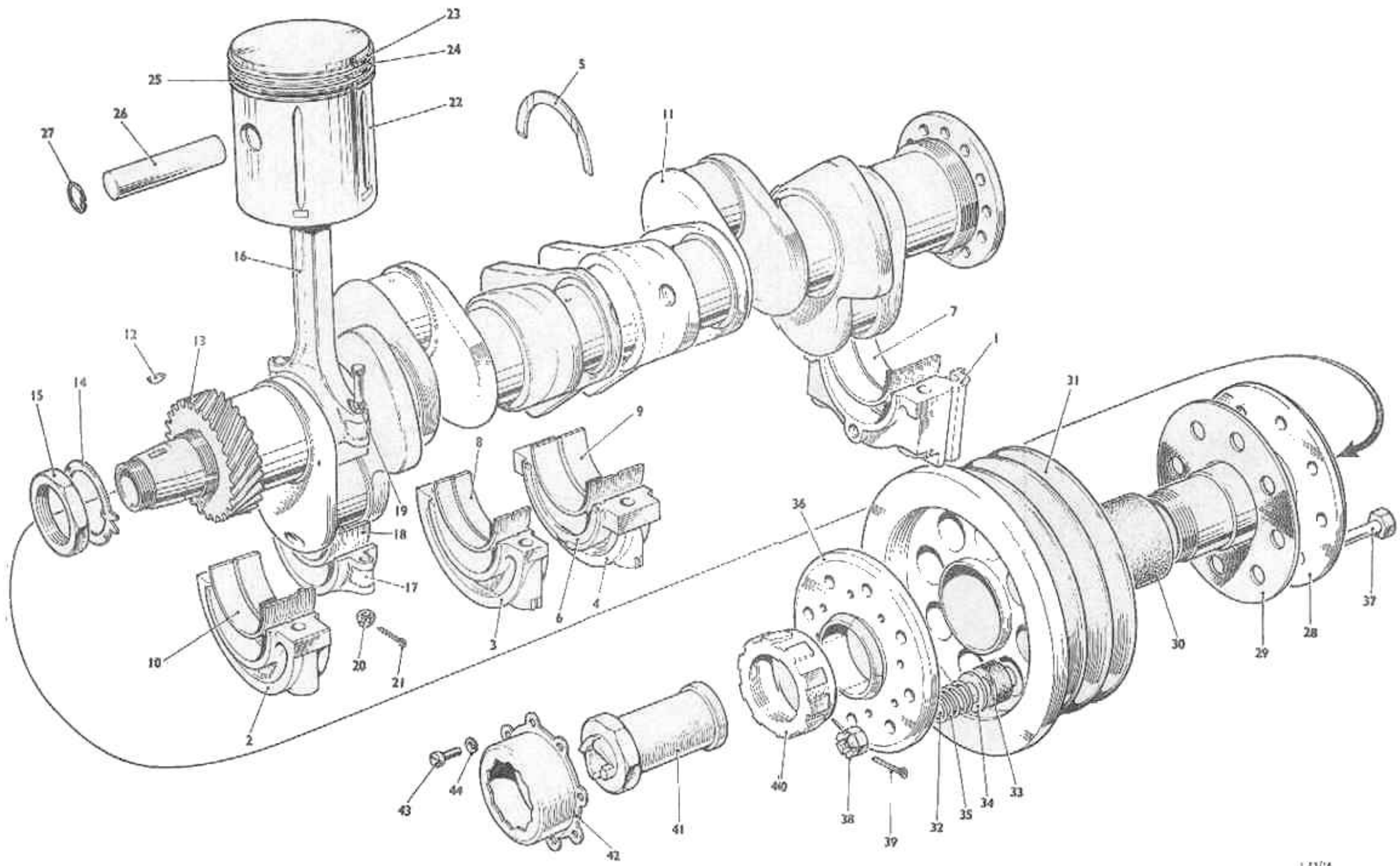
ENGINE. B60. No.1. MK. 6A/L



CRANKCASE AND SUMP

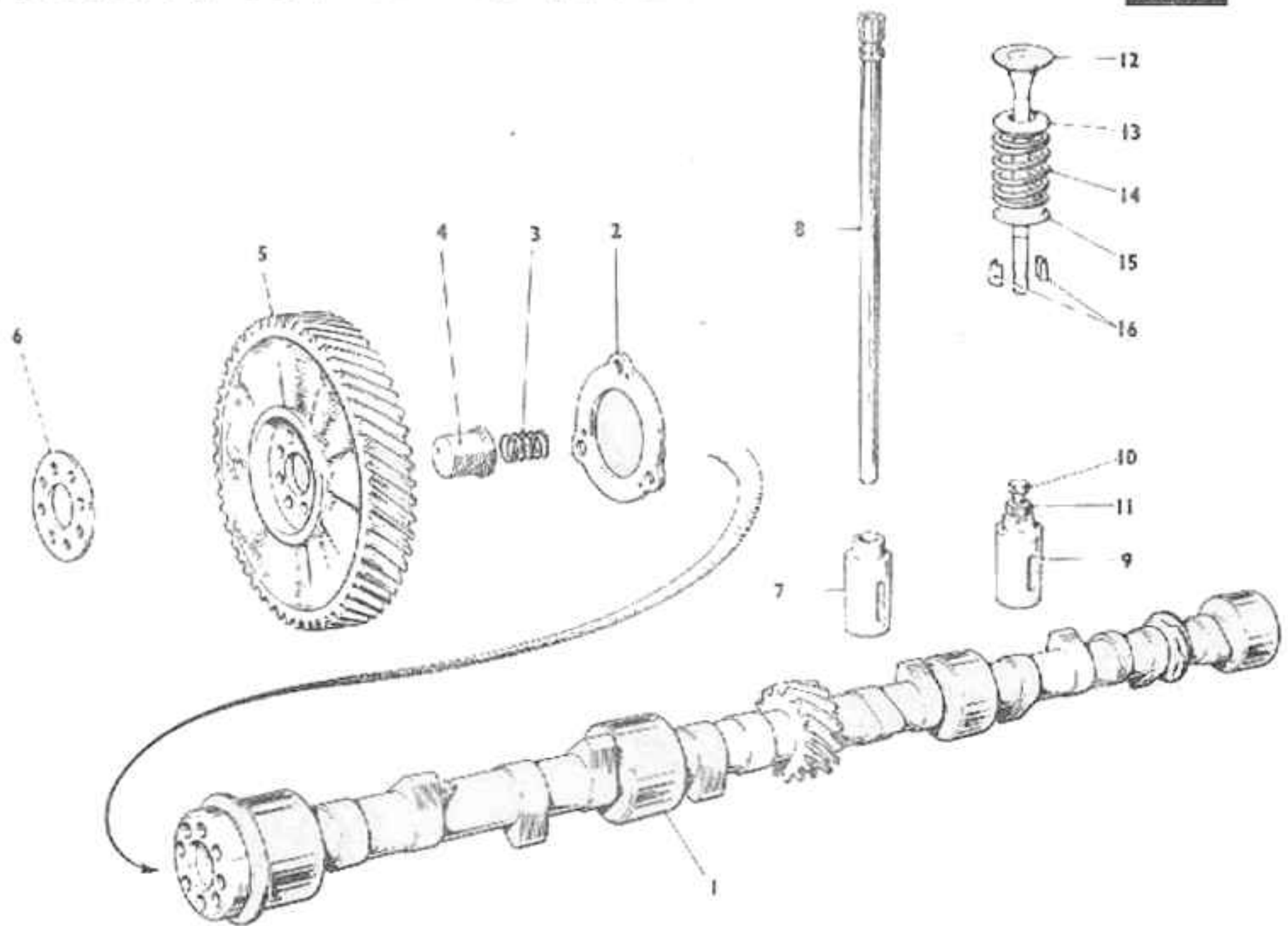


CRANKSHAFT AND CONNECTING ROD



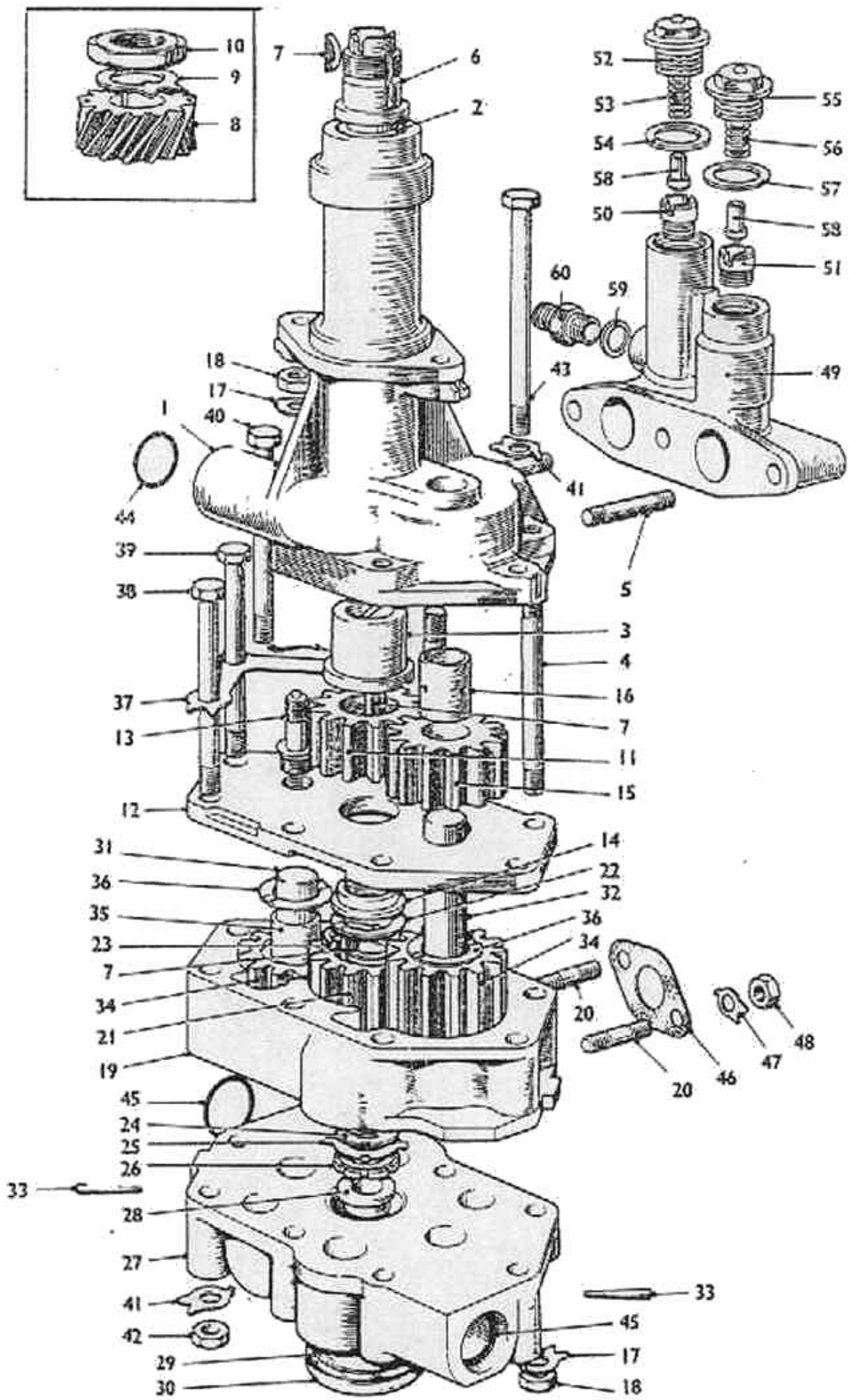
CAMSHAFT, PUSH ROD AND TAPPET

A4



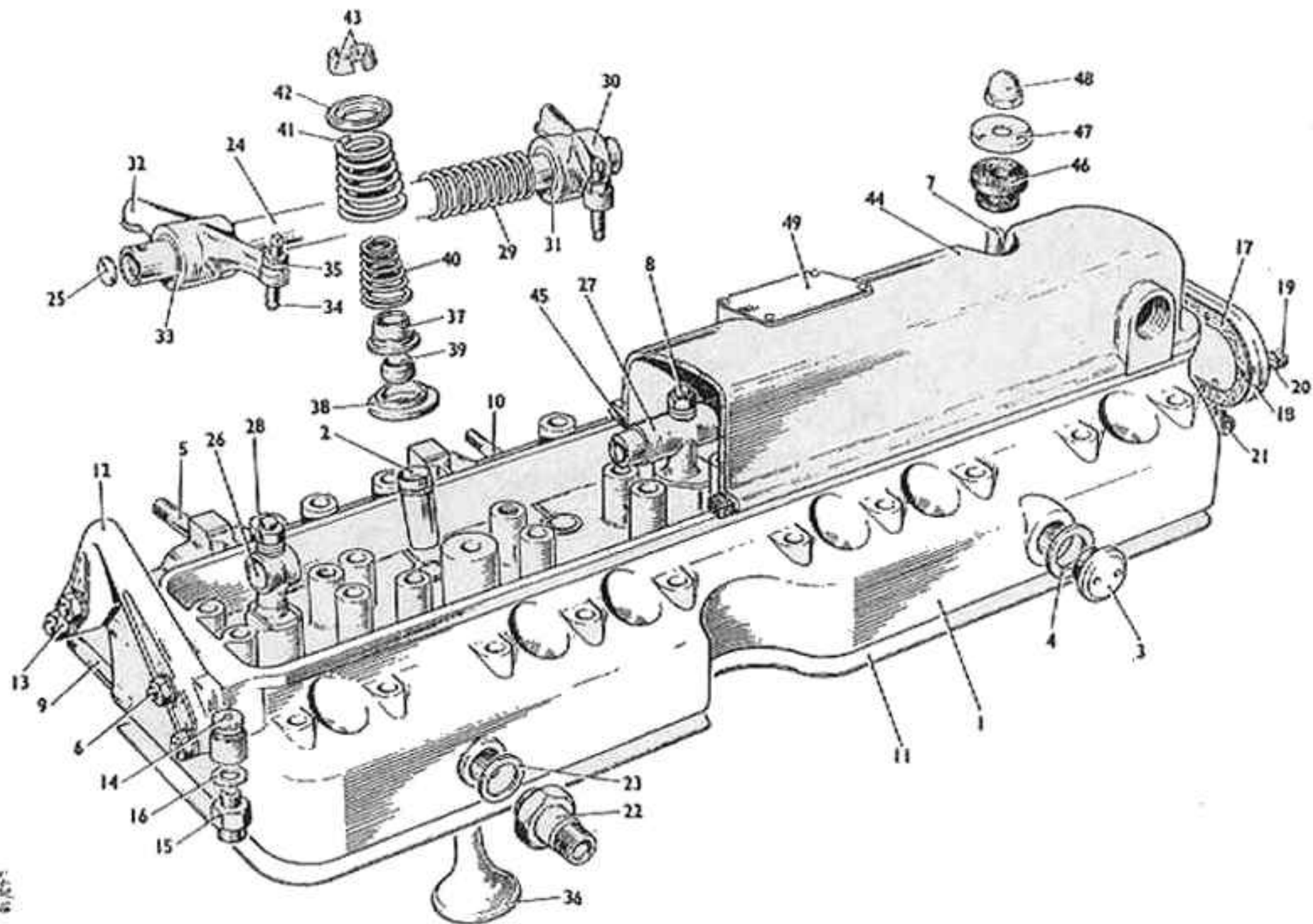
OIL PUMP AND RELIEF VALVE

A5



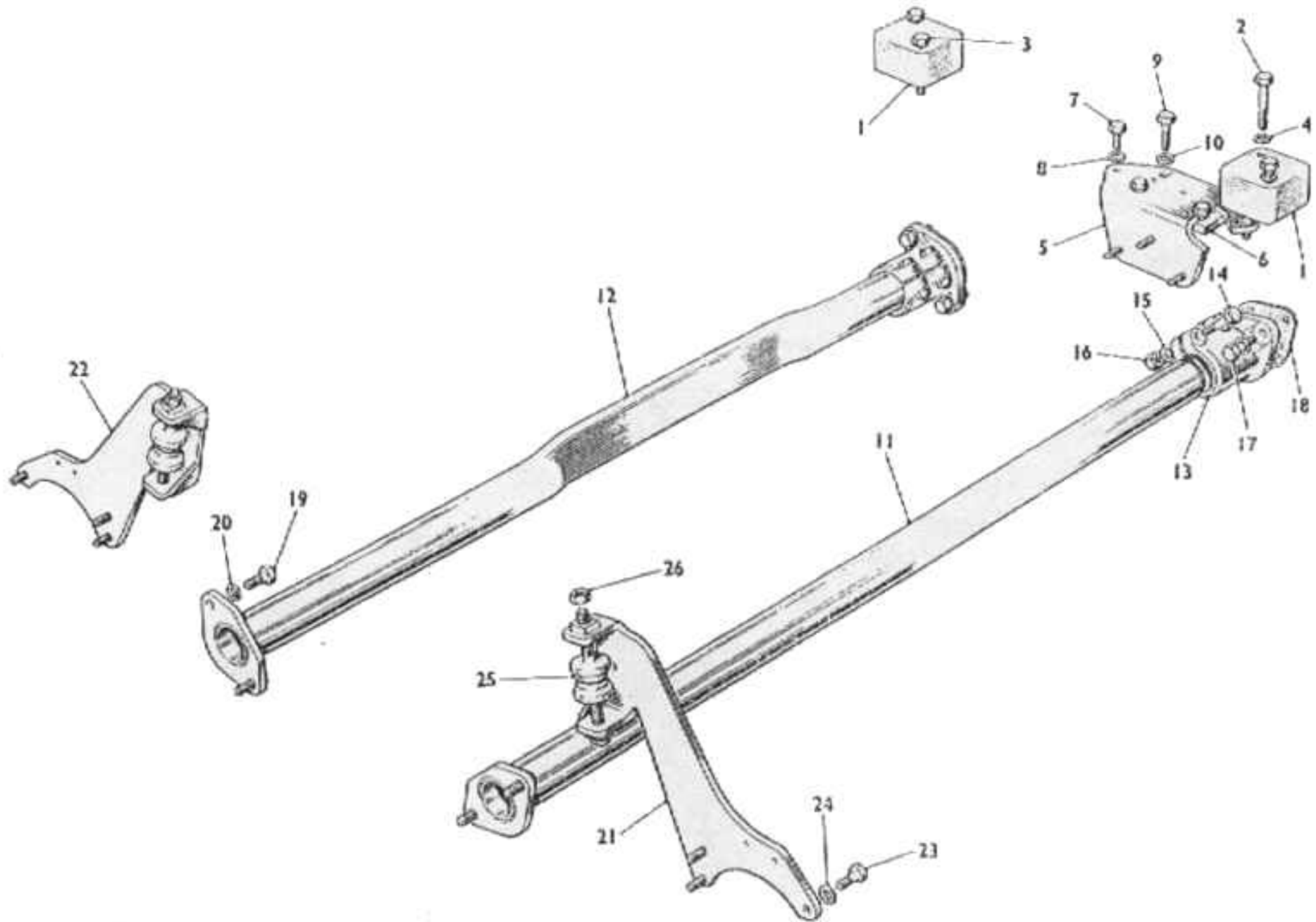
CYLINDER HEAD AND VALVE GEAR

A6

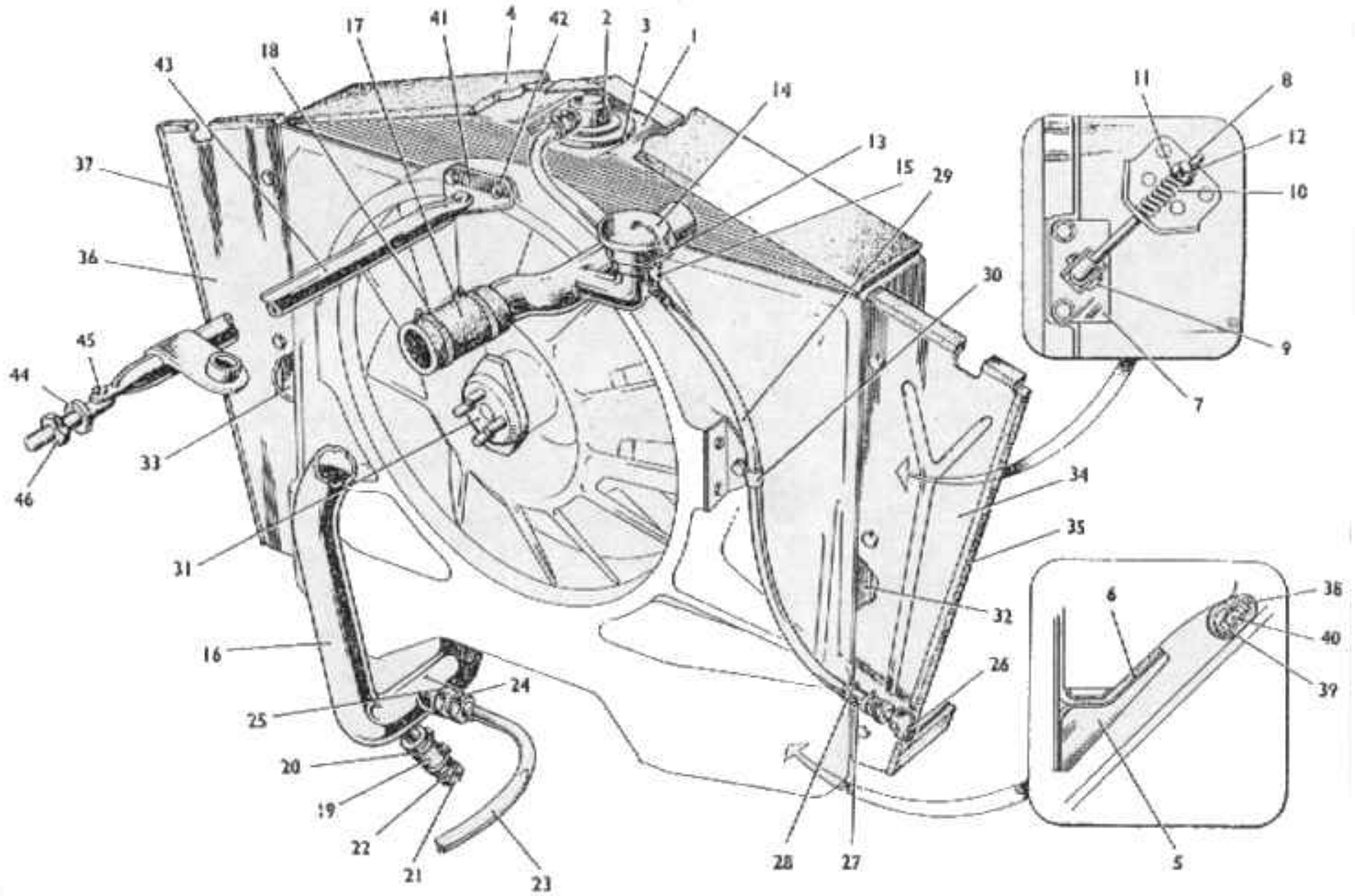


ENGINE MOUNTINGS

A7

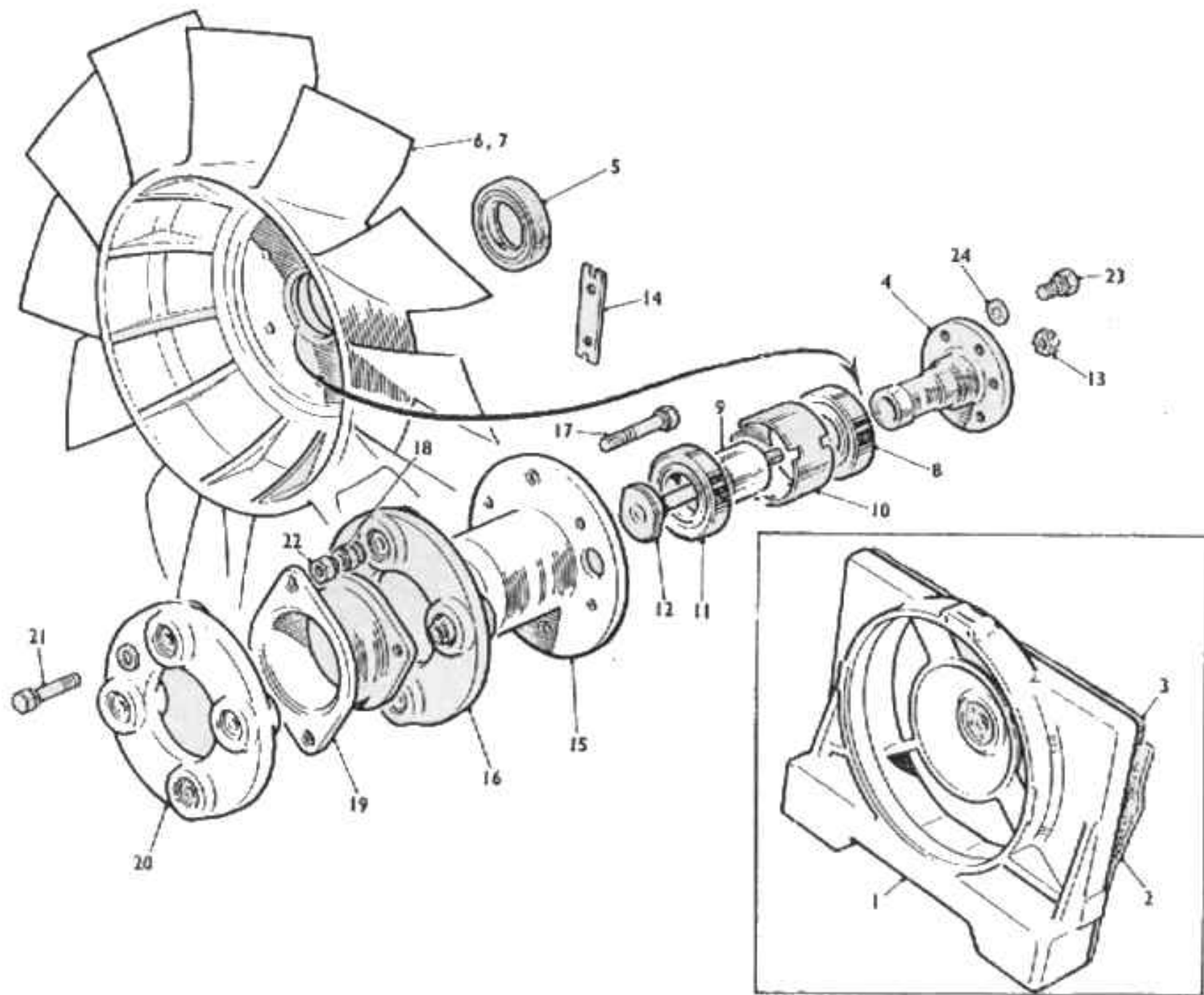


RADIATOR AND FITTINGS



FAN AND COWL

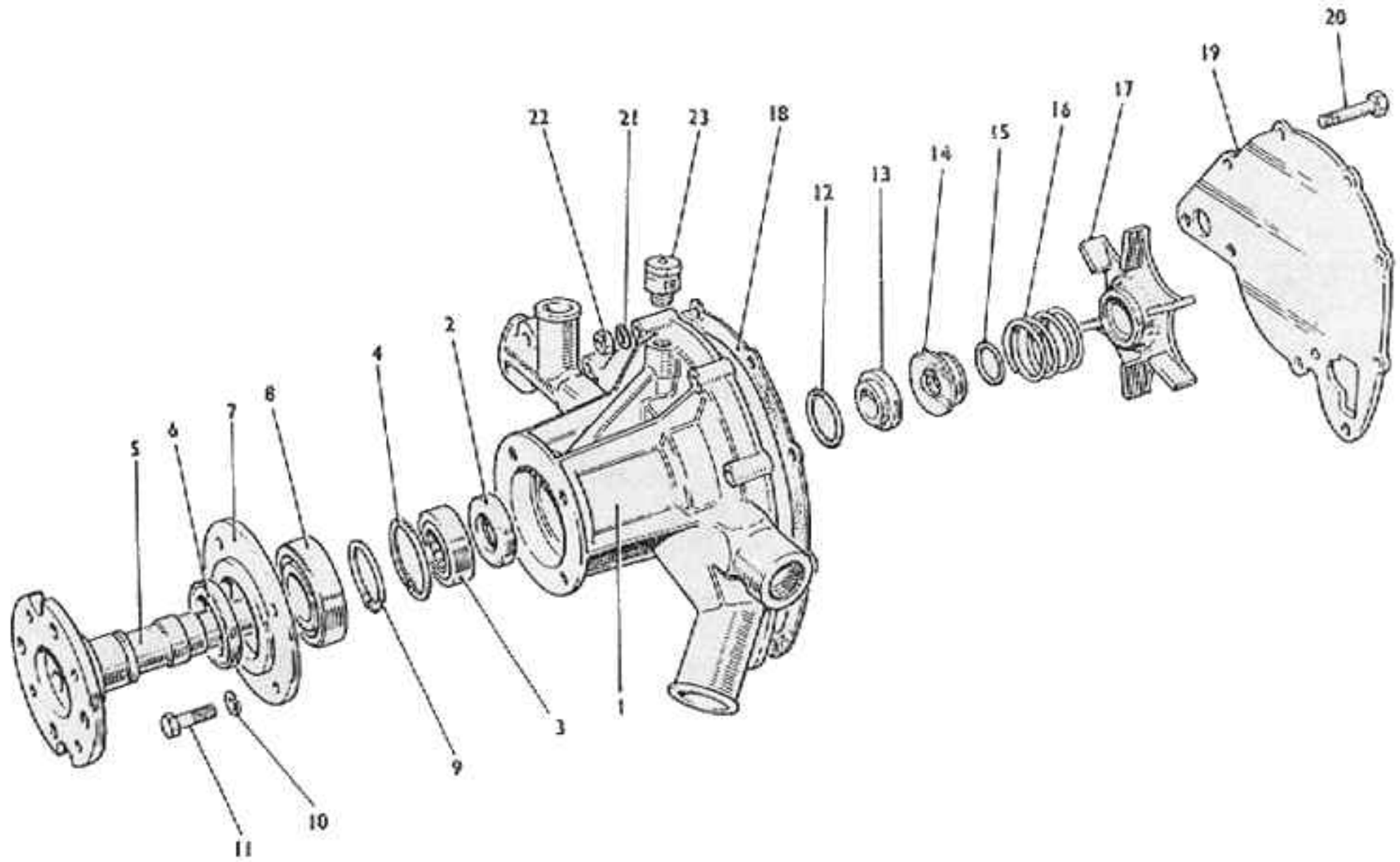
B 2



L 43/20

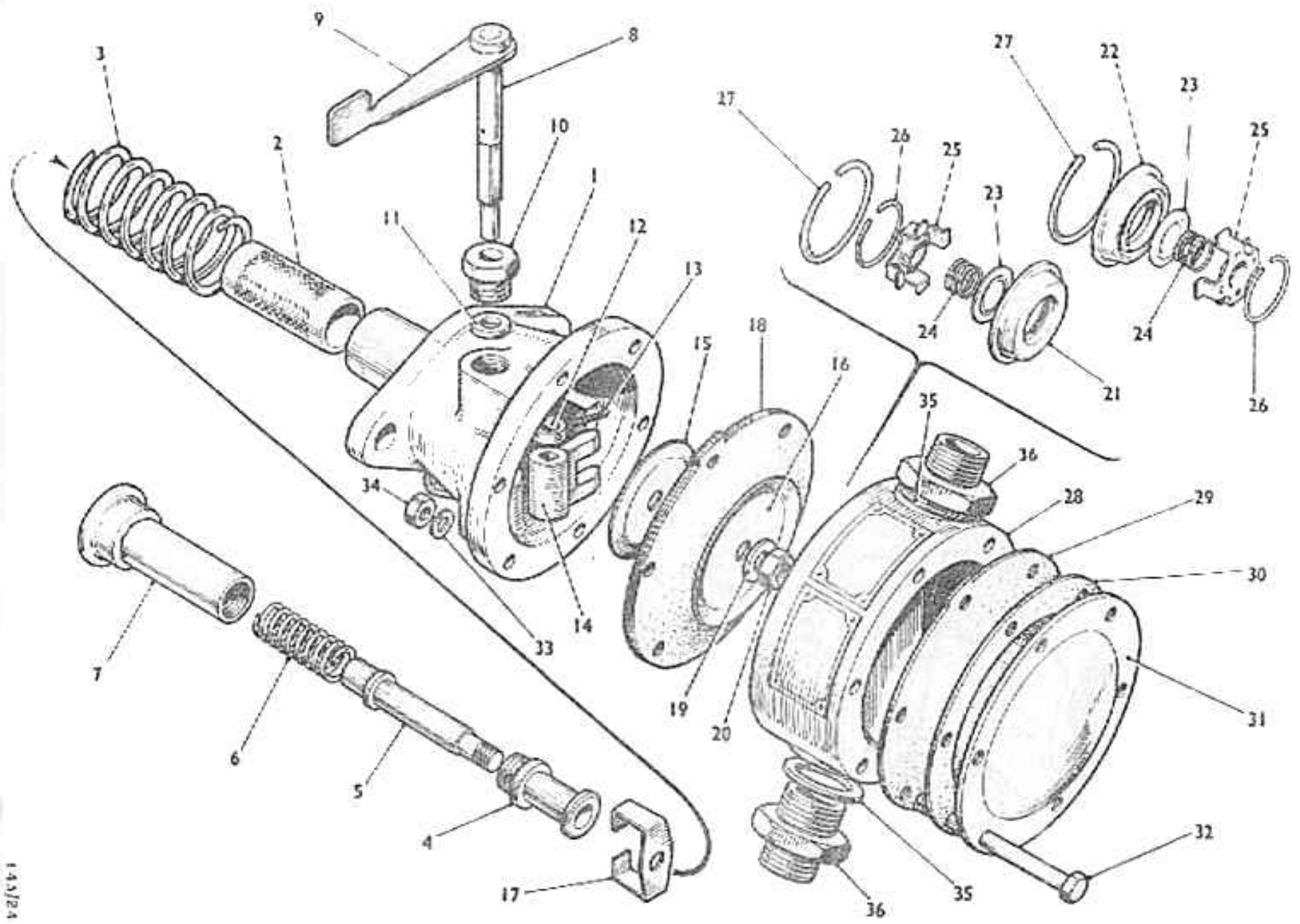
COOLANT PUMP

B3

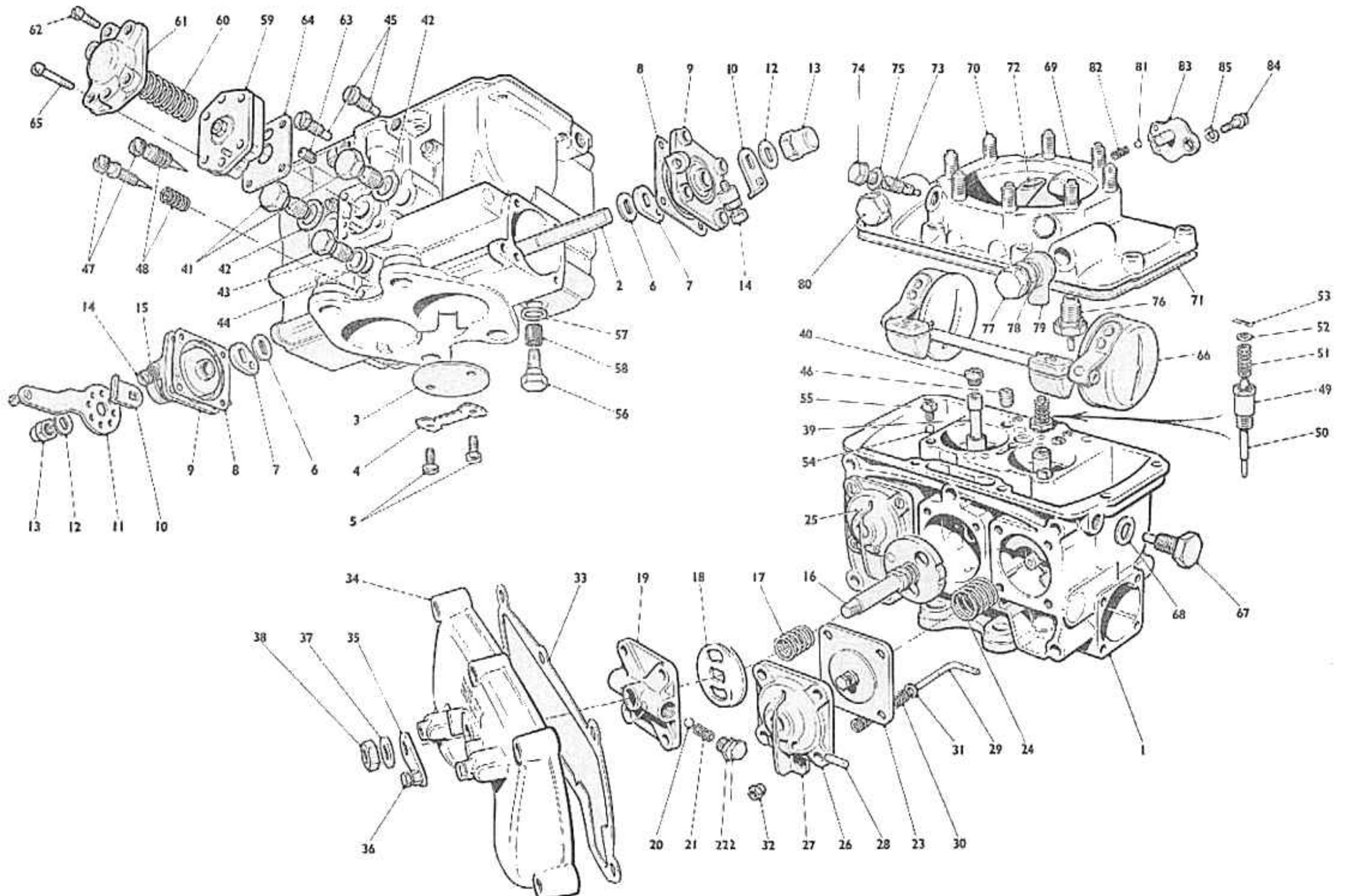


FUEL PUMP

C2

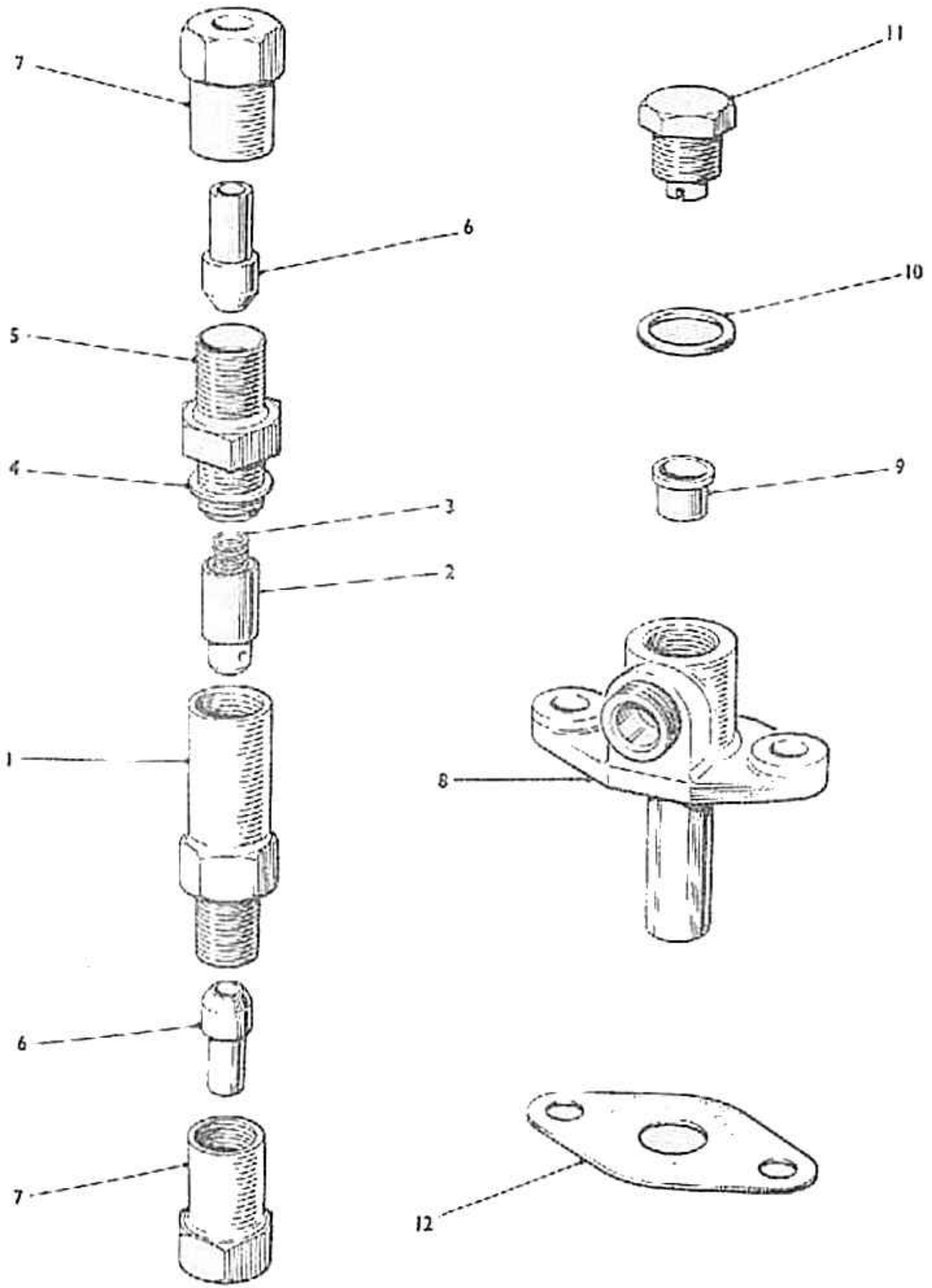


CARBURETTOR

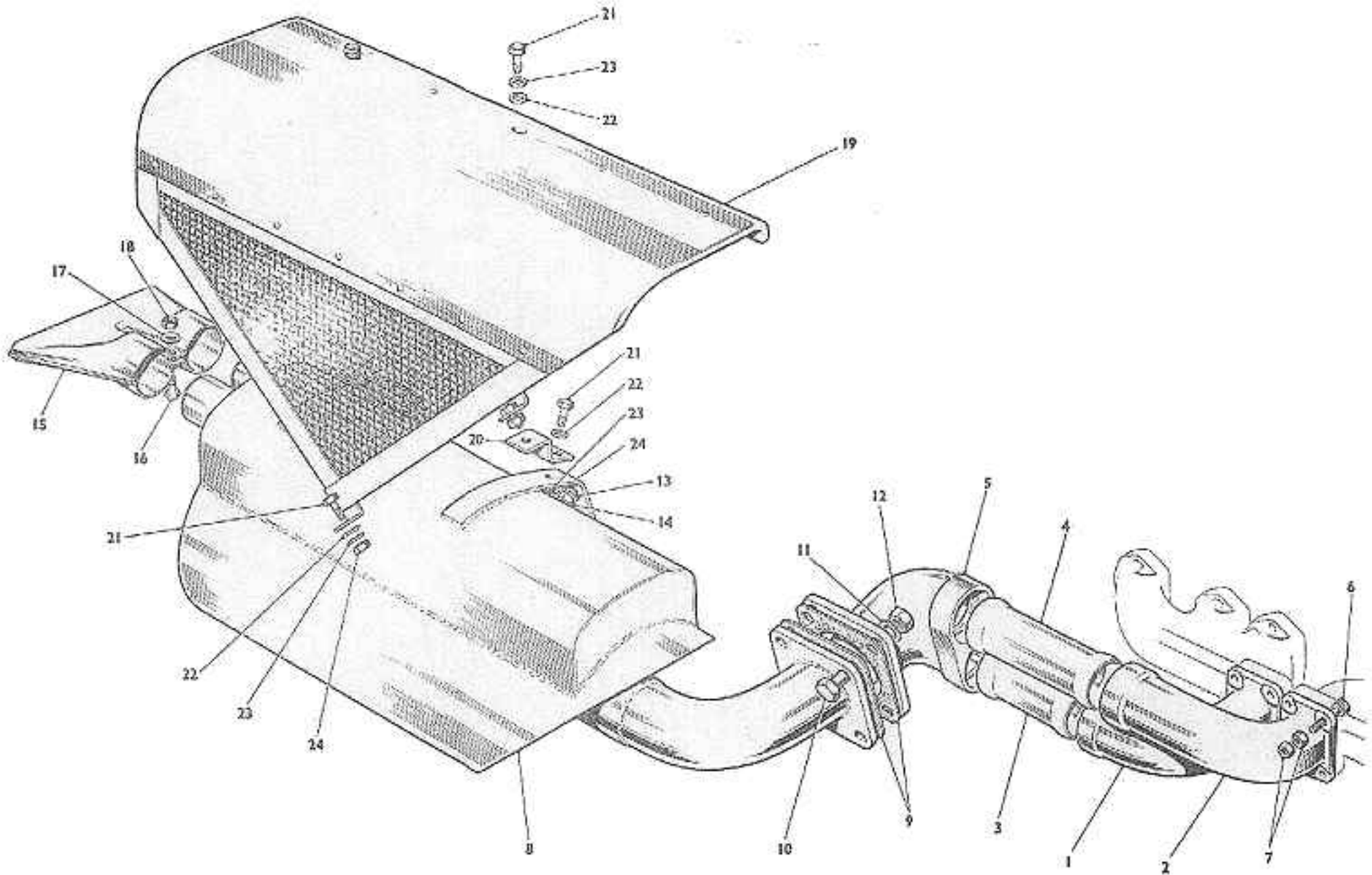


NON-RETURN VALVE AND ATOMISER

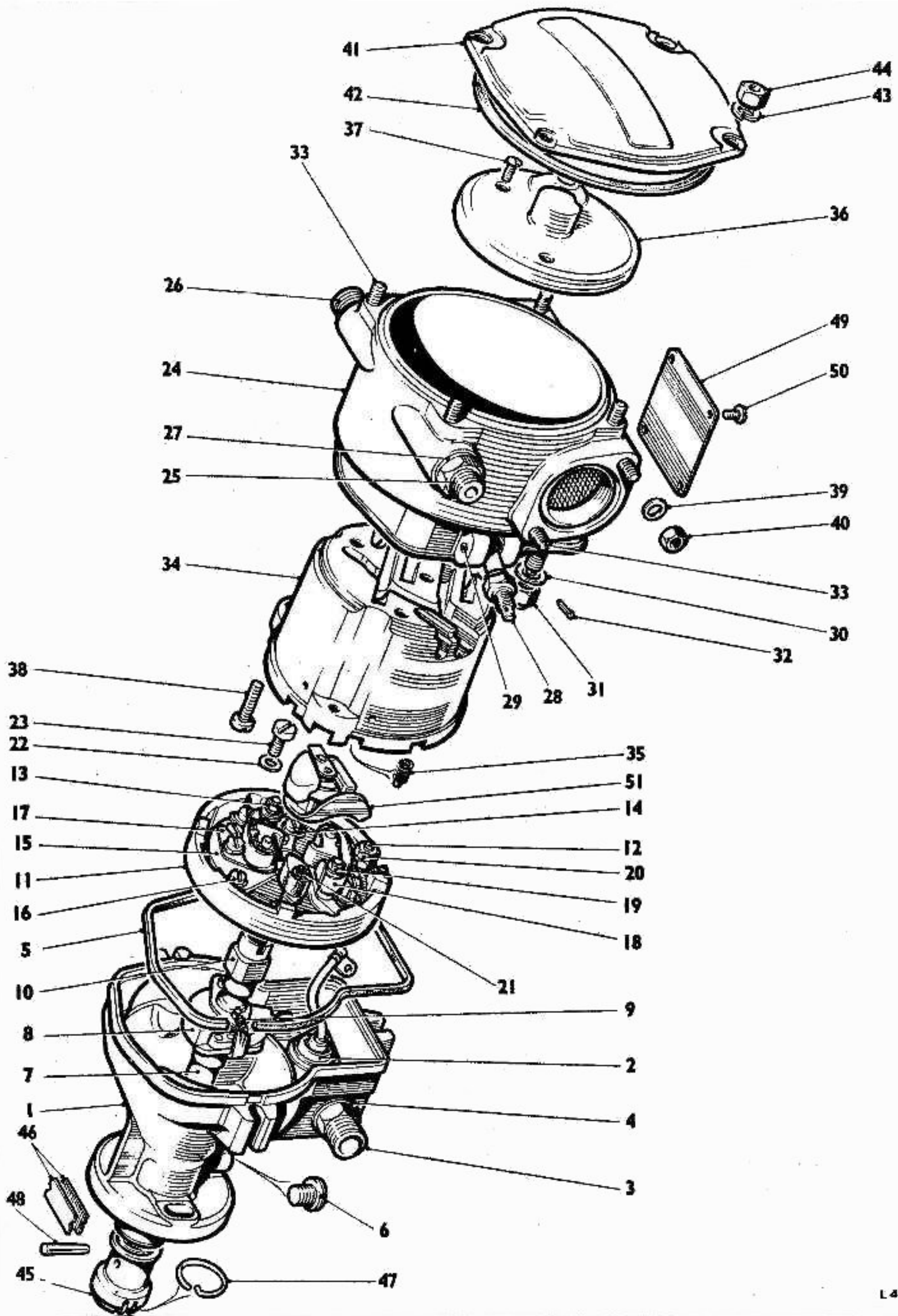
C4

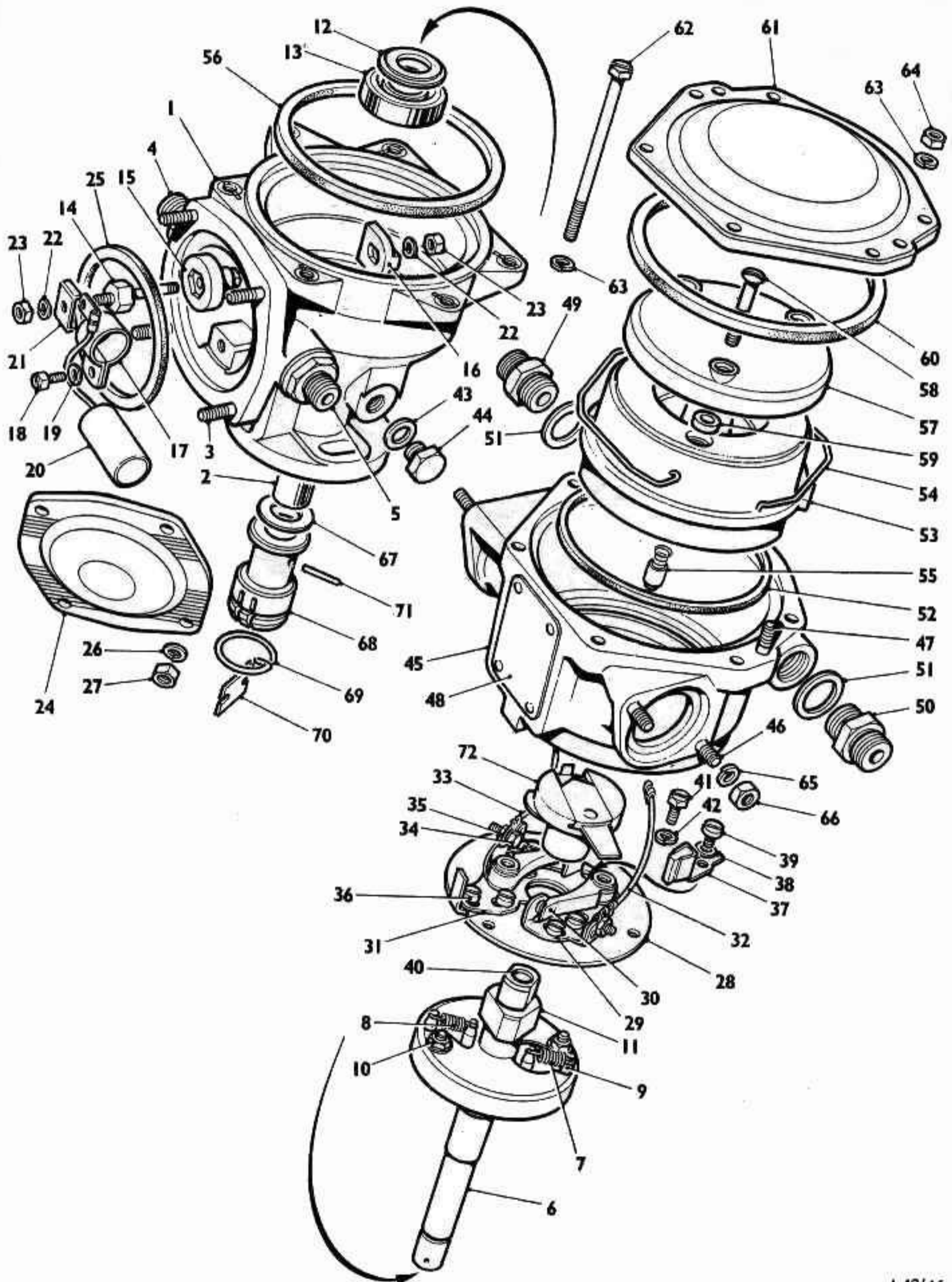


EXHAUST SYSTEM



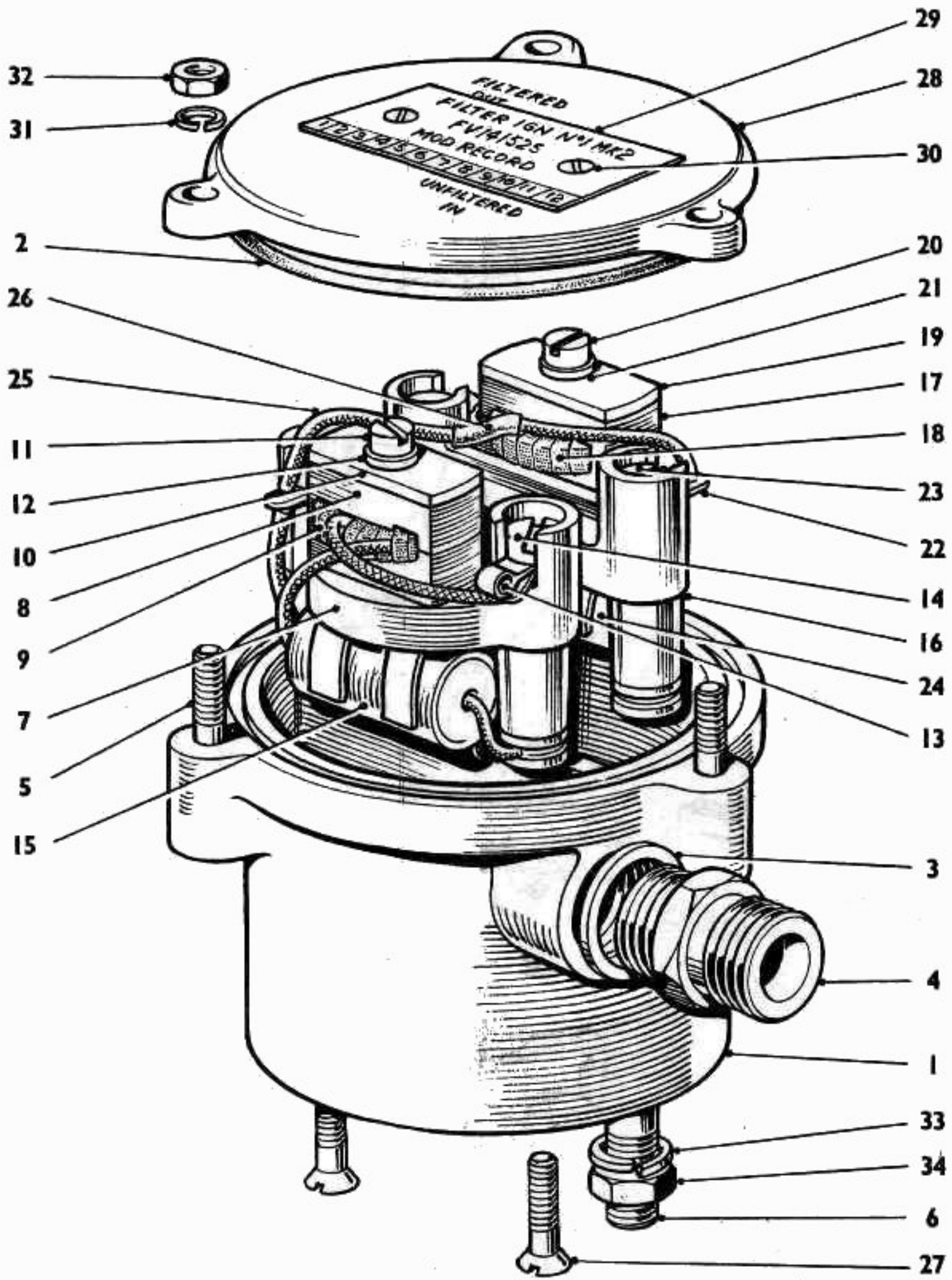
DISTRIBUTOR 6CYL. No.1 Mk.2

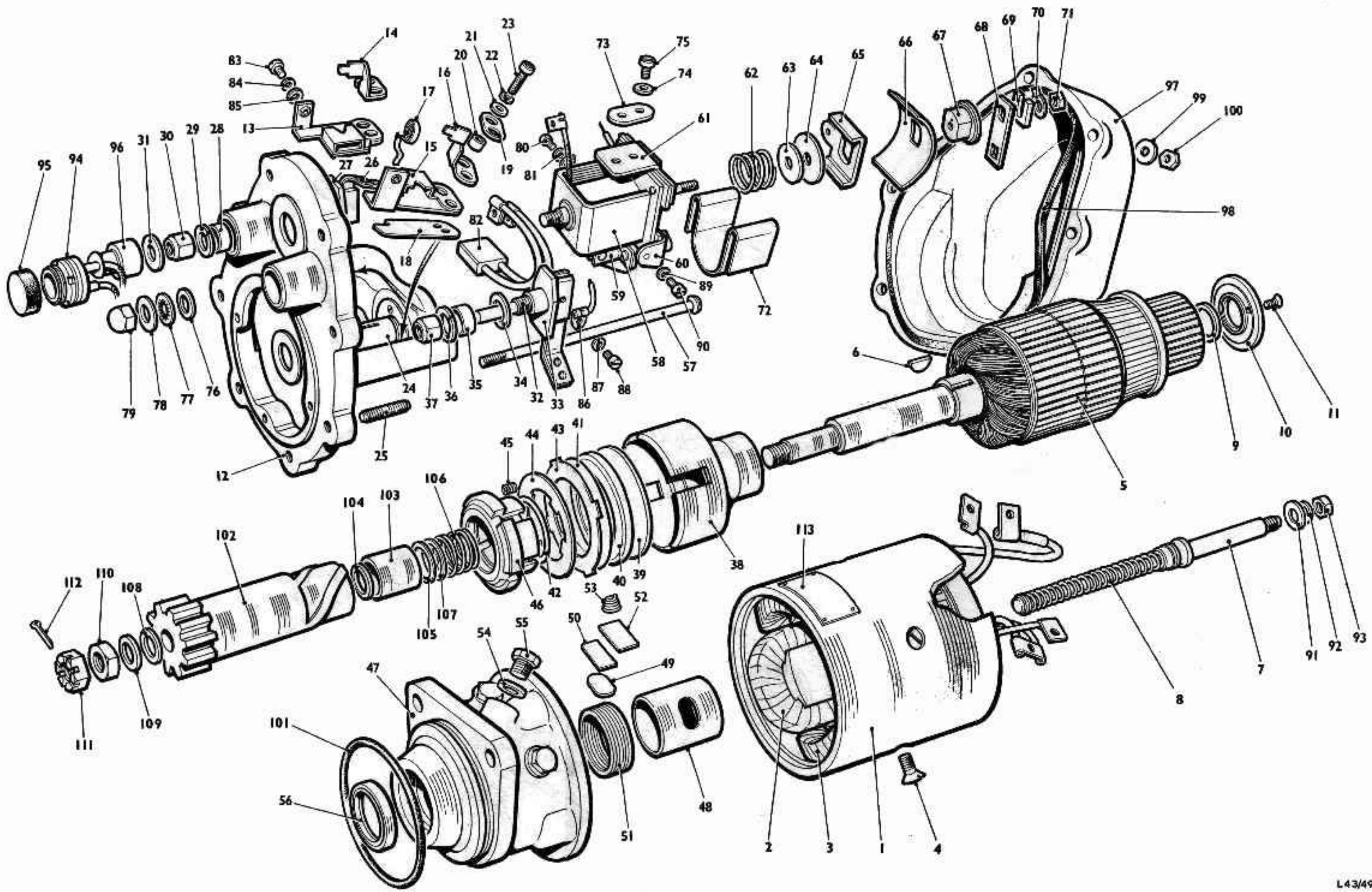


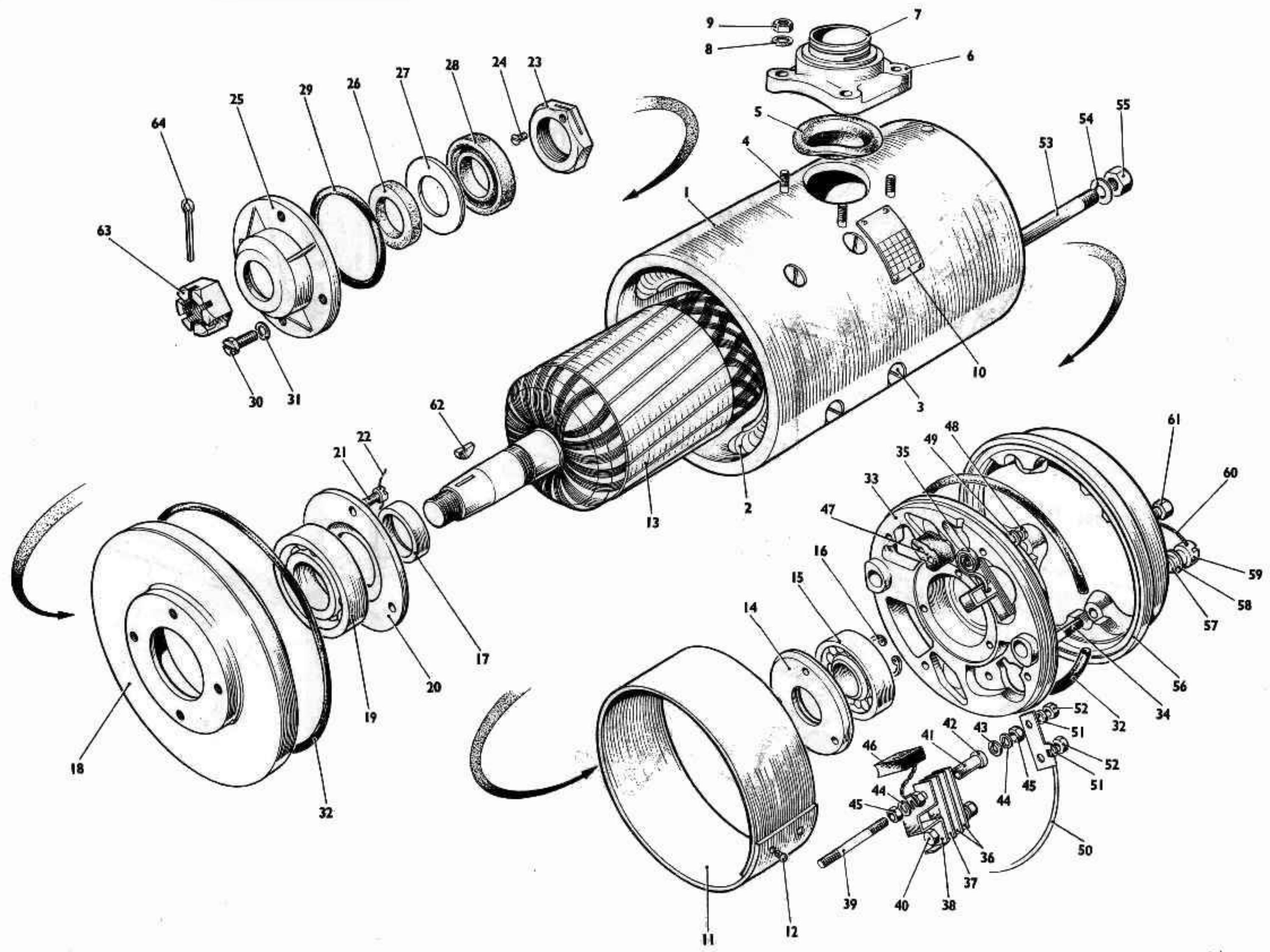


RADIO INTERFERENCE FILTER

L3

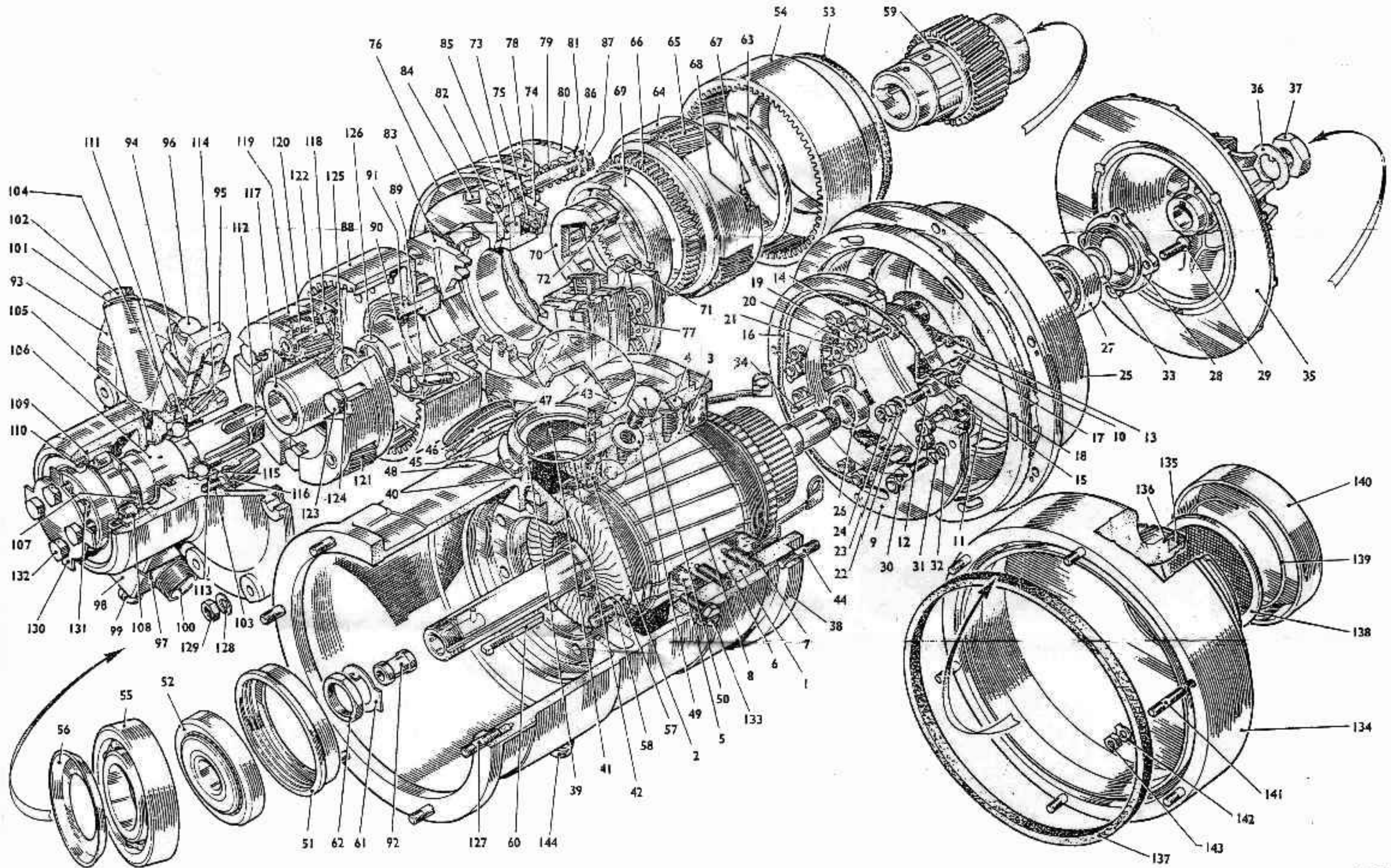




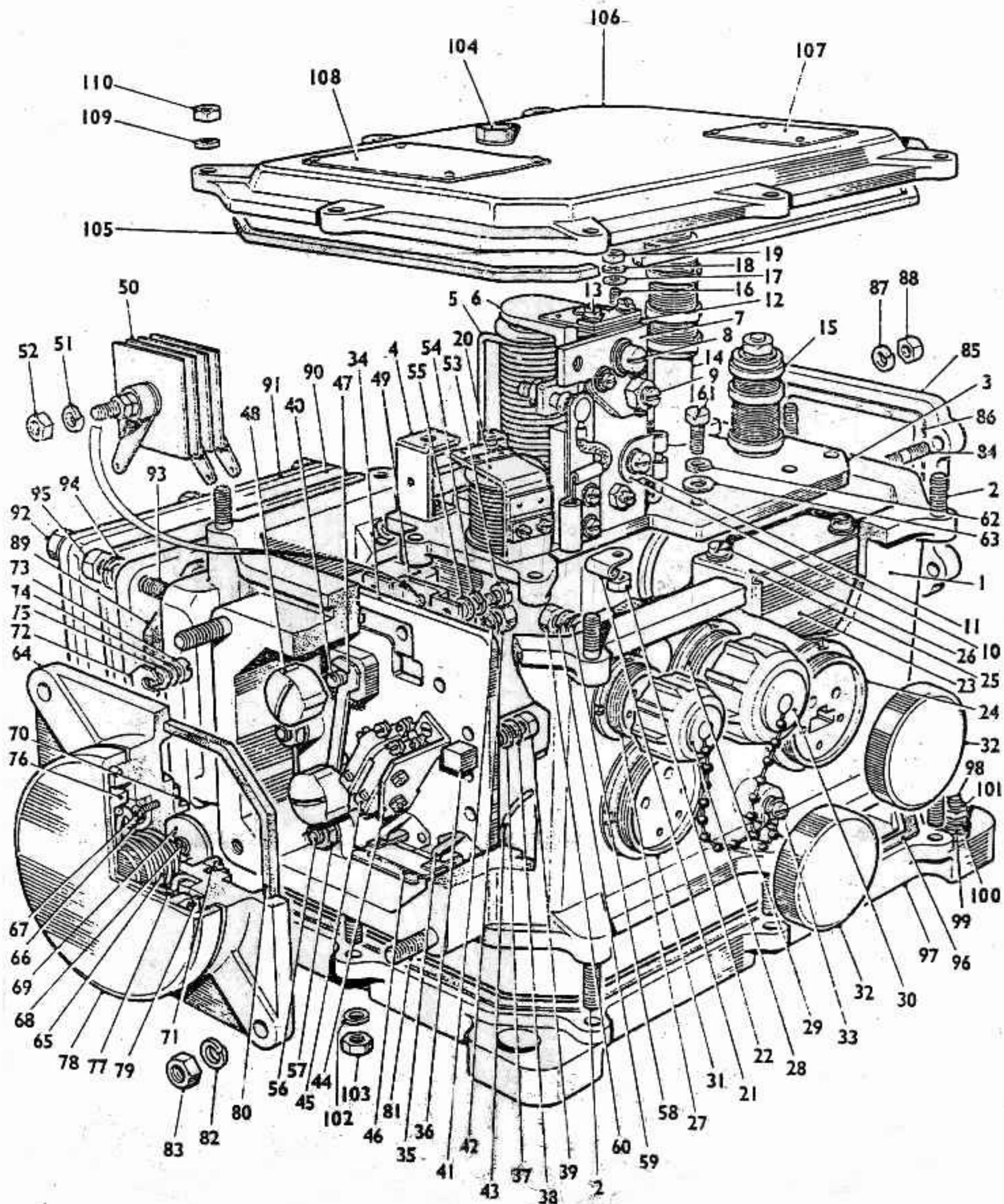


GENERATOR, No. 2, Mk. 2.

L7

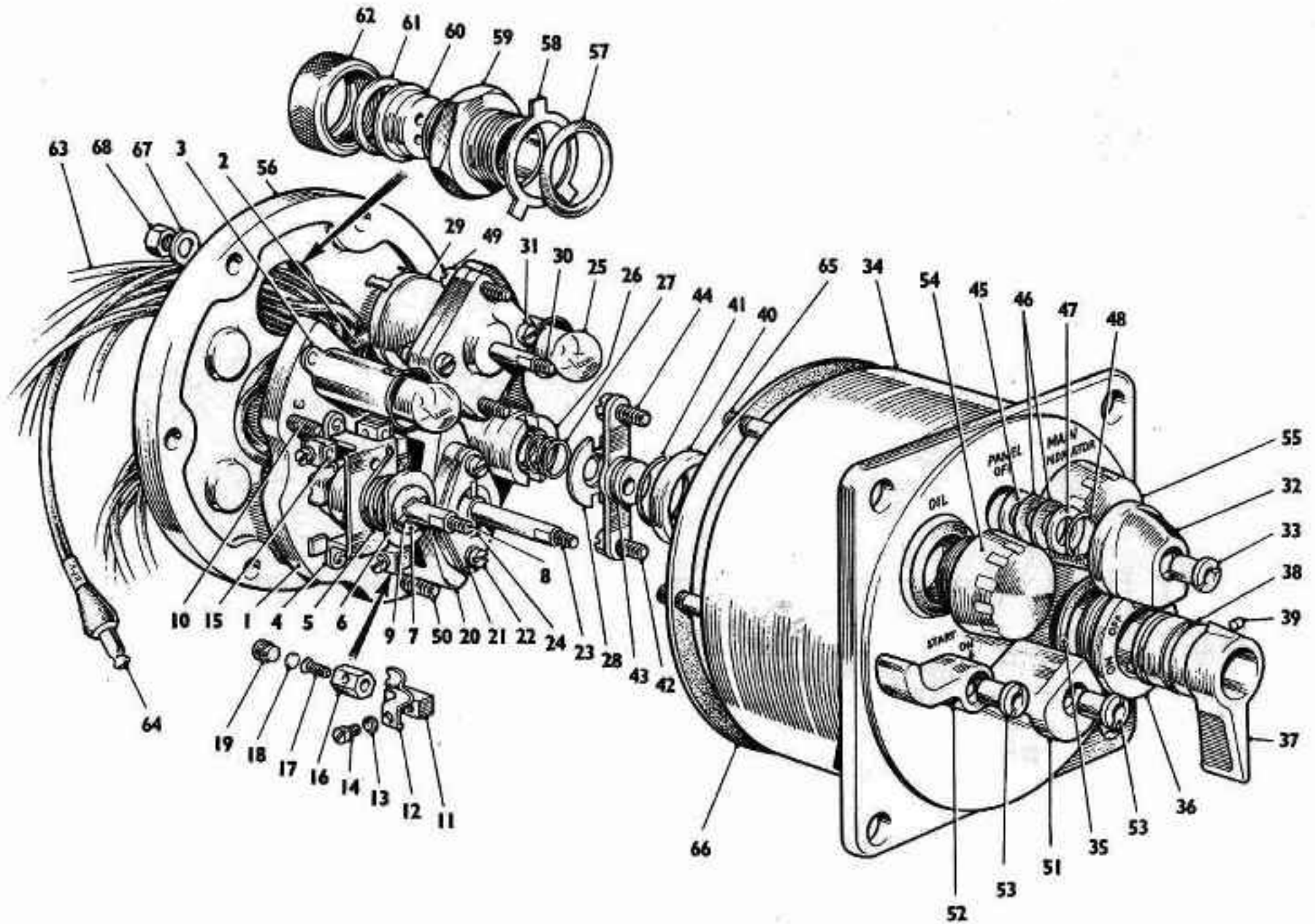


GENERATOR PANEL



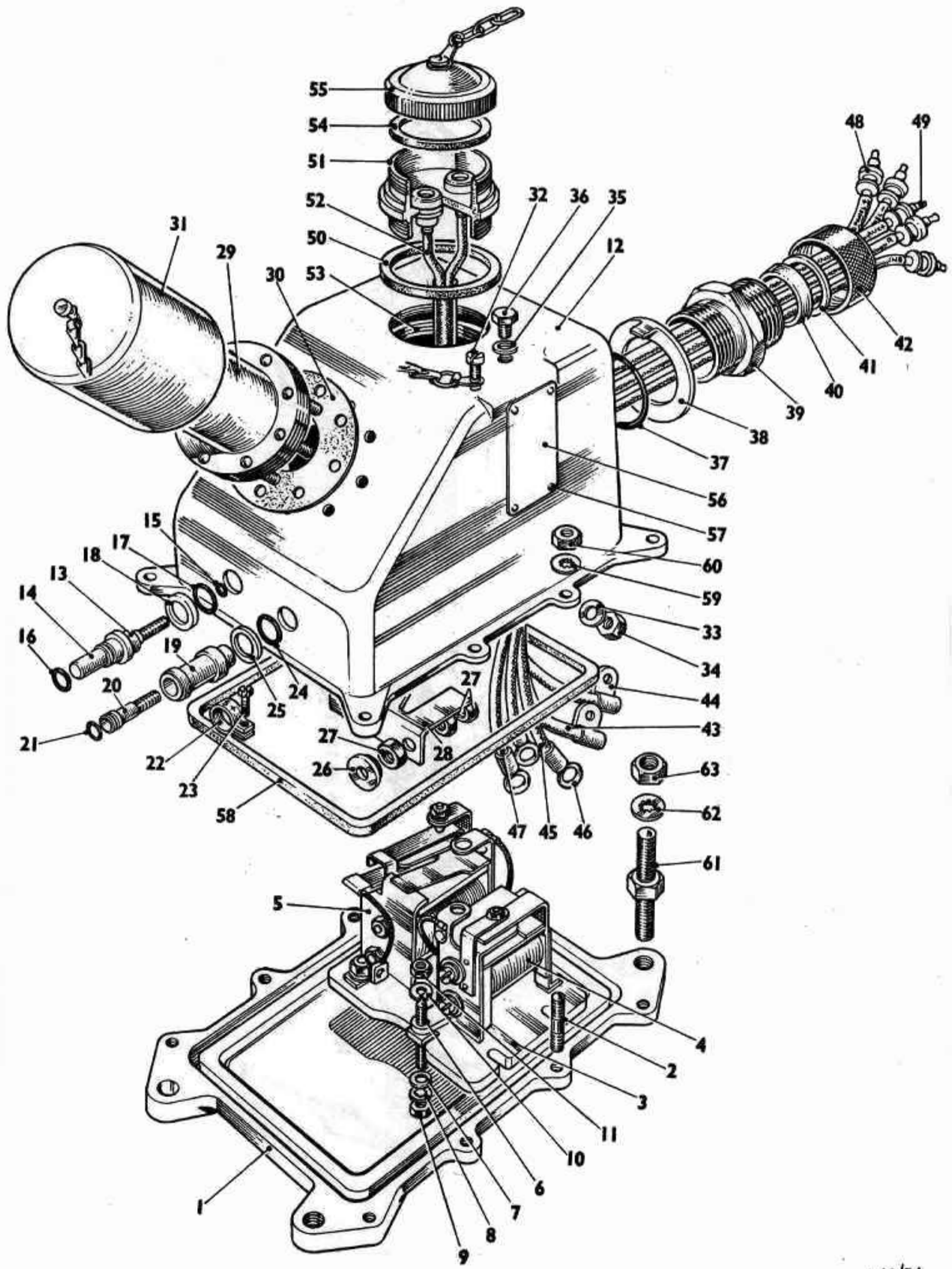
SWITCHBOARD

L9

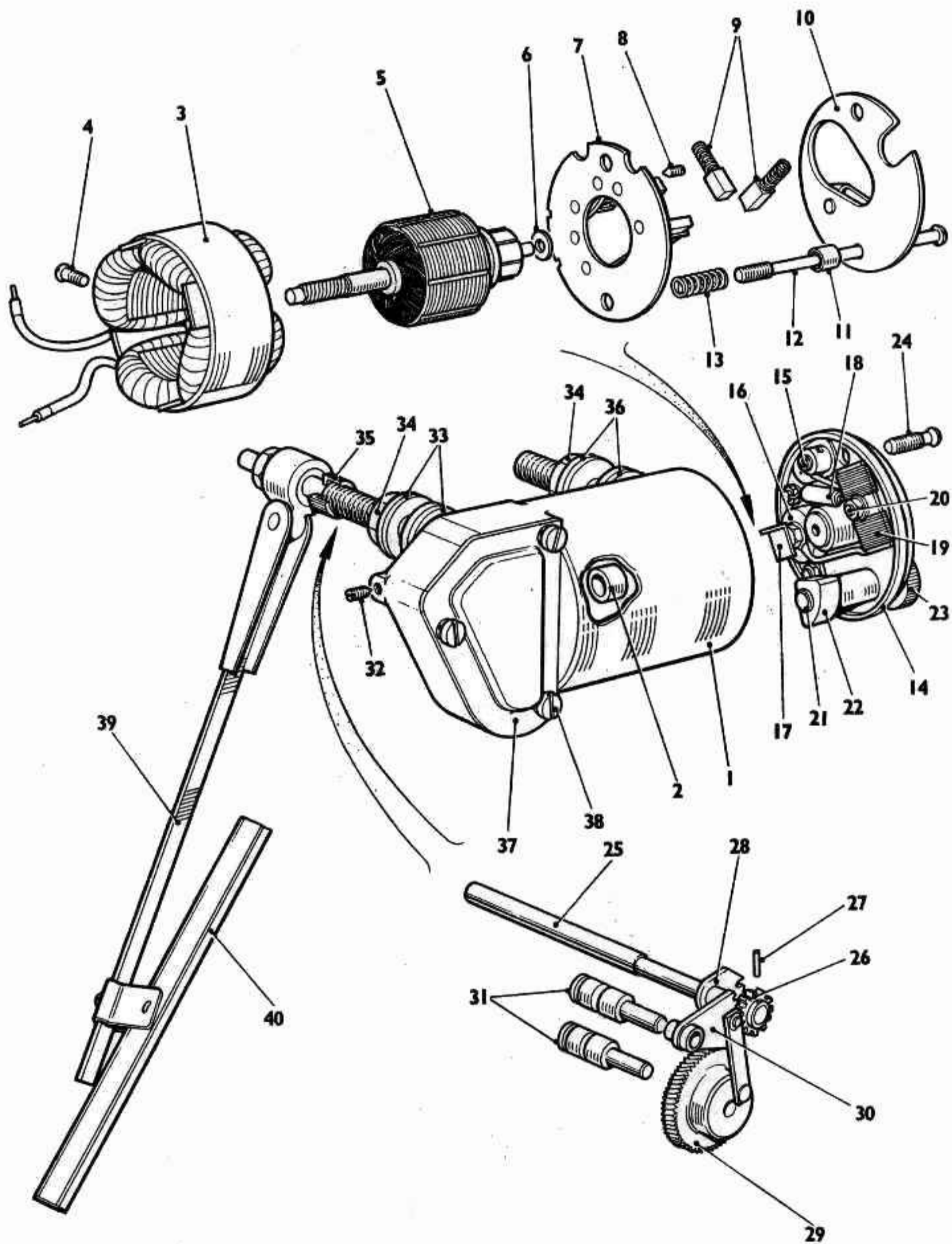


DISTRIBUTION BOX

LIO

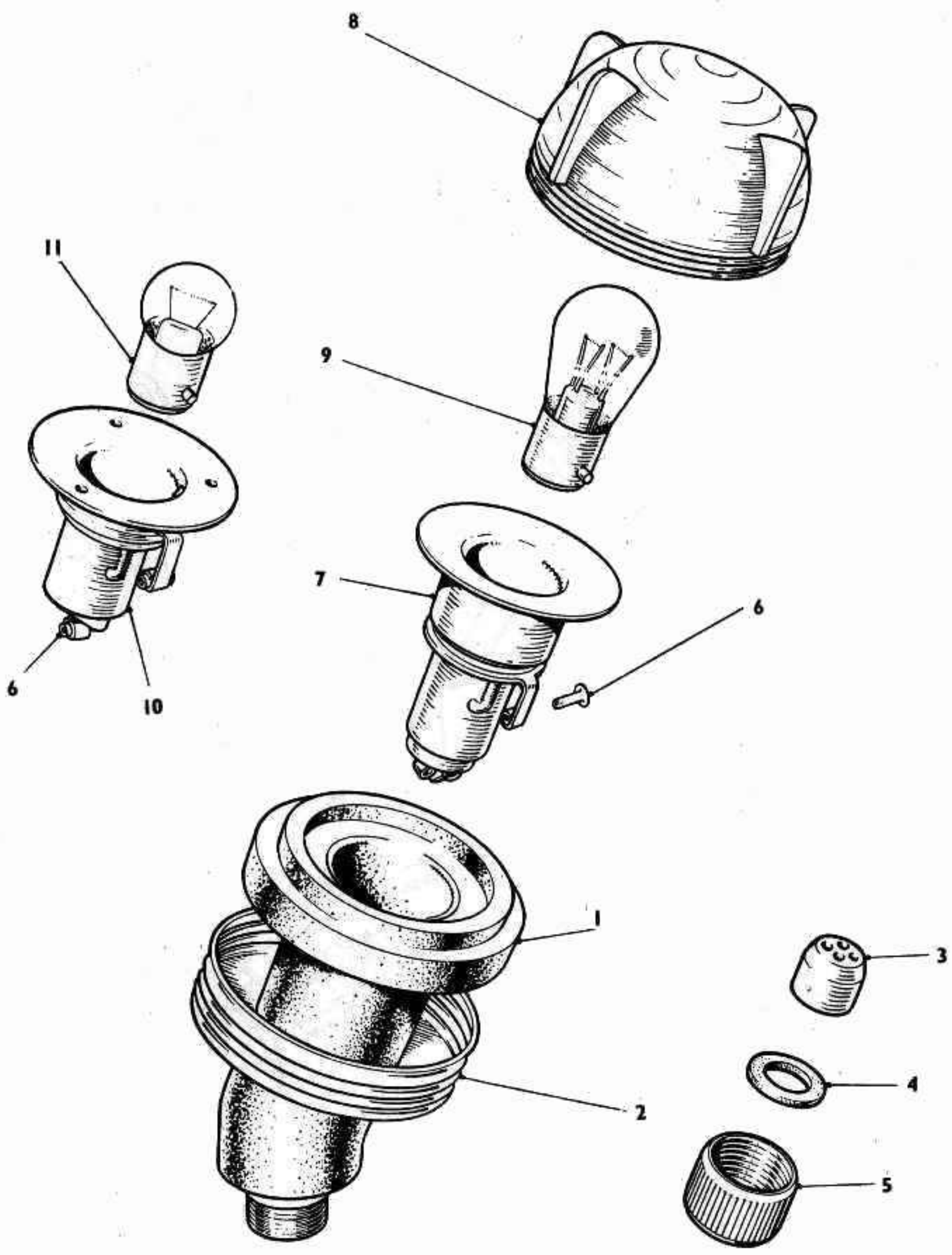


WIPER MOTOR



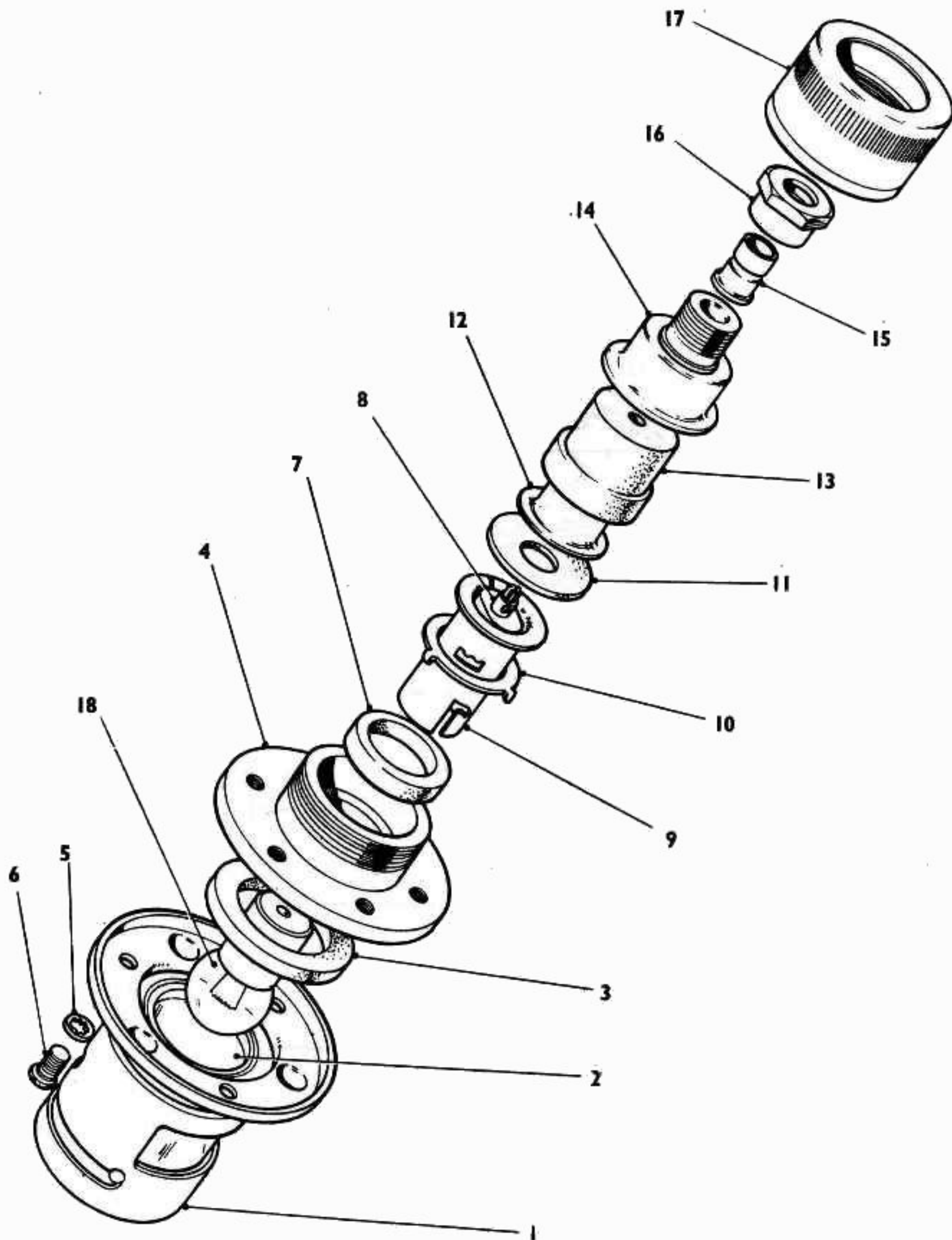
SIDE, TURN AND TAILLIGHT

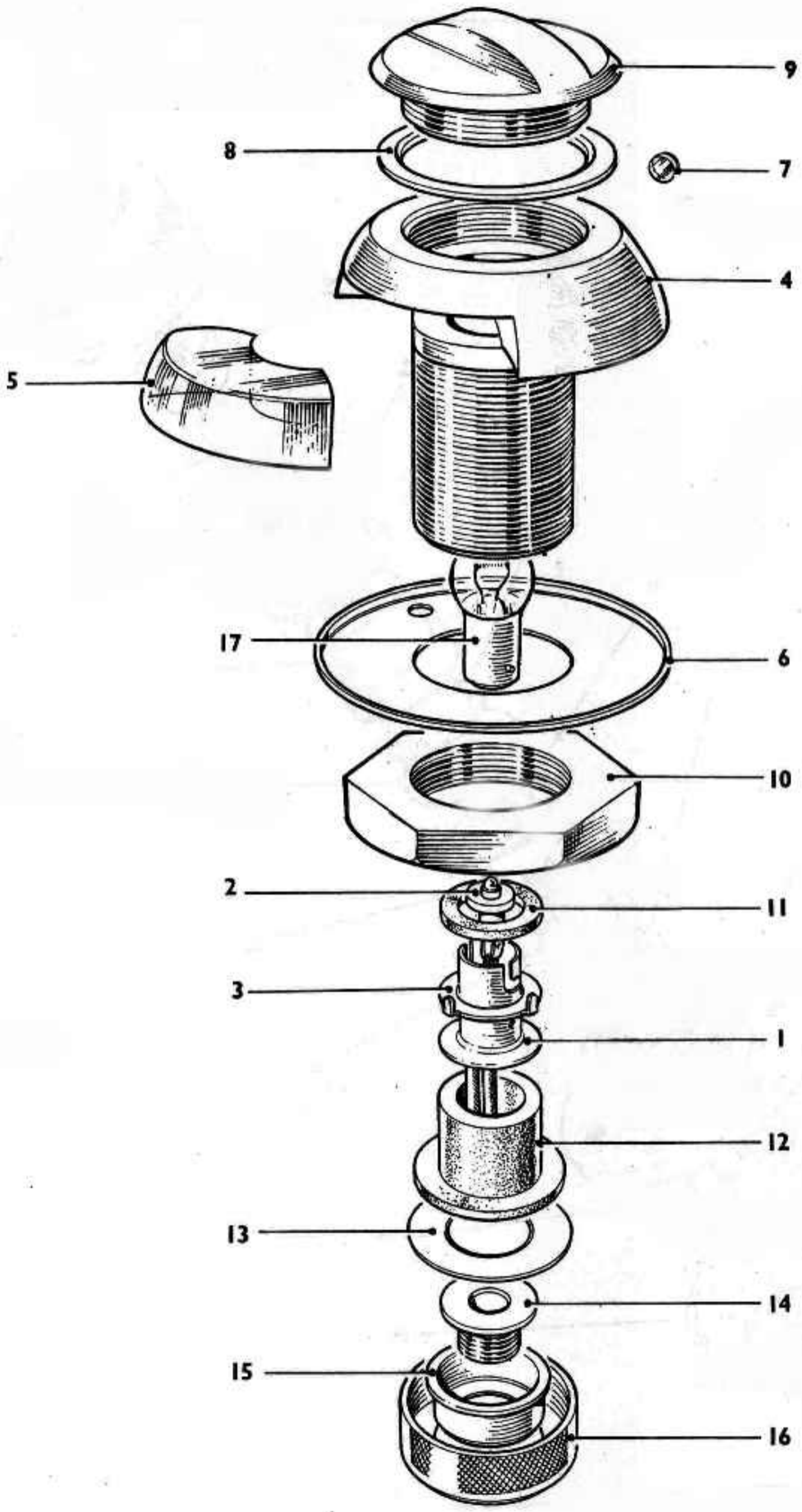
L12



PANEL LIGHT

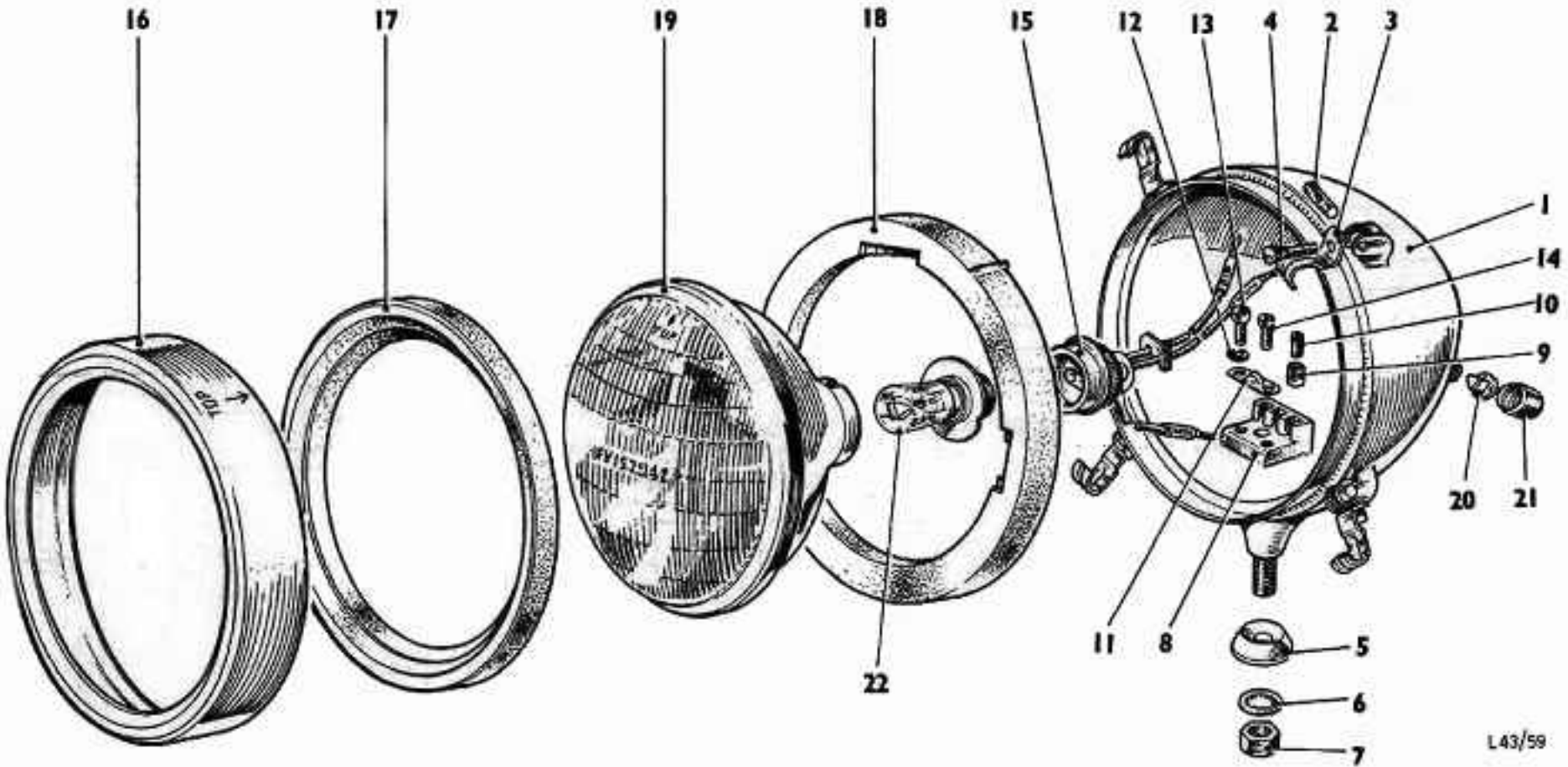
L13





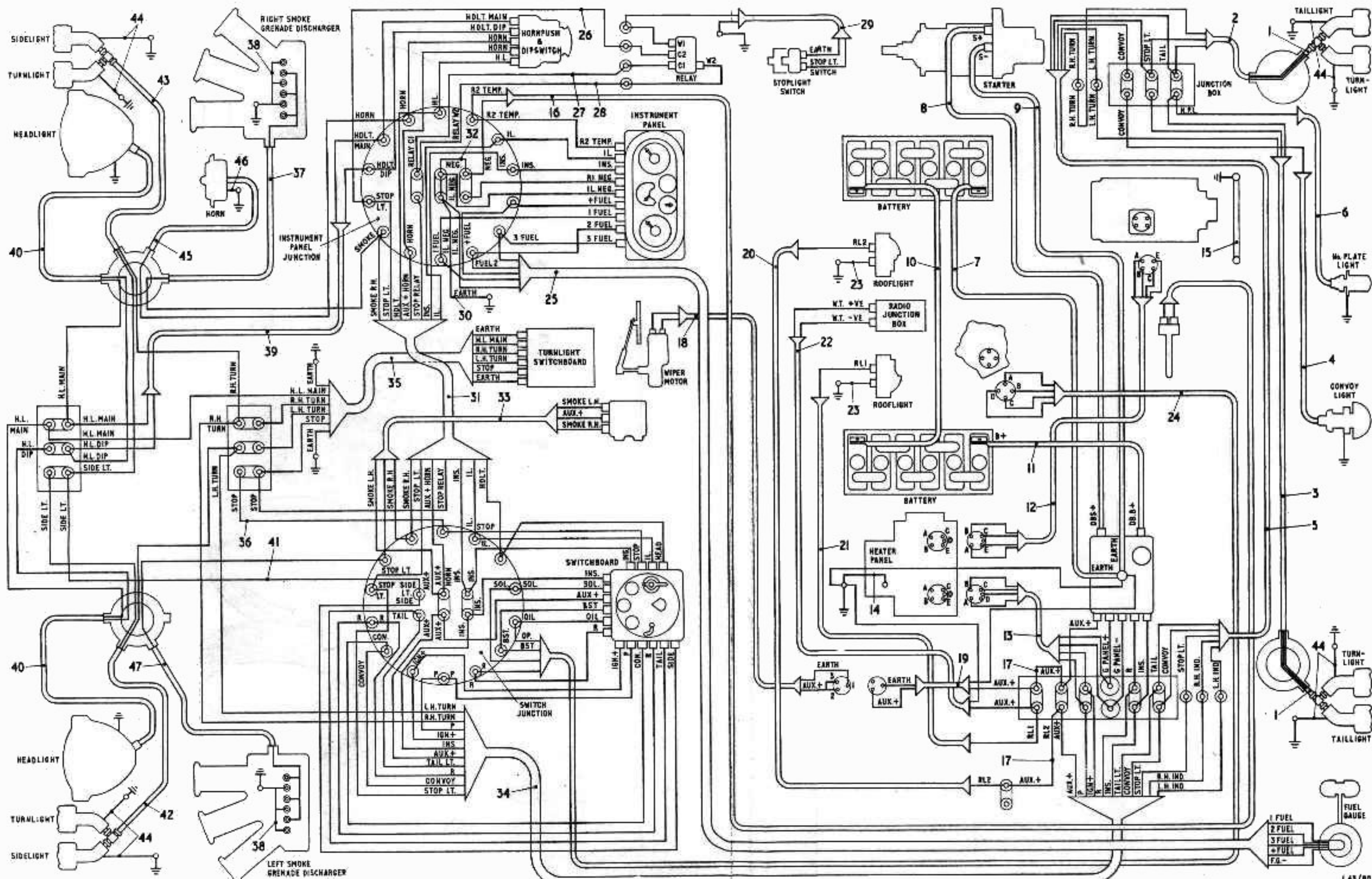
HEADLIGHT

L15



WIRING DIAGRAM

L16



SMOKE GRENADE DISCHARGER, No.4, MK.1

SI

